



WASTE WATER SUBMERSIBLE PUMPS - 50Hz



THE CHANGE AGENT

Powered by technology and the spirit of innovation, C.R.I. has always set the benchmark when it comes to quality and performance. C.R.I. has what it takes experience, expertise, commitment and a clear vision to be a precursor of change, an innovator of new technologies and a standard bearer for quality.

Today, C.R.I. is a multi-winged organization that produces different varieties of pumps and motors that are engineered to perfection. The name C.R.I. itself encapsulates the company's ethos: "Commitment, Reliability, Innovation" and it has now become a household name associated with pumping solutions.

THE DAWN

The C.R.I. success story began in the year 1961 with the manufacture of irrigation equipment at an in-house foundry with very limited facilities. There has been no looking back since then. Today, C.R.I. is one of the leading names in the manufacture of pumping systems globally with the vision and the capability to be counted as one among the top global pump companies.

With its comprehensive range of products over 2300 models C.R.I. is catering to diverse customer profiles including Residential, Agriculture, Industries, Building services, General Water supply, Mining, Oil & Gas, Sewage & Waste Water and Coal Bed Methane applications.



QUALITY KNOWS NO BOUNDRIES

C.R.I.'s unwavering determination had made us a strong presence in more than 120 countries. With a solid production capacity of over 2 million pumps per annum C.R.I. has been rated as one among the best brands worldwide. Besides in recognition of its pioneering efforts and contribution to the cause of progress and quality C.R.I. has been honored with many prestigious awards including: Export Excellence Award 12 times since 2003. The ISO 9001, 14001 and OHSAS 18001 certified company, spanning across 300,000 sq.mtr. covered area, has a strong R & D wing recognised by Ministry of science & technology which is one of the best in the world and are equipped with the latest in technology for research and design. C.R.I. constantly upgrades the product features to match with the ever changing market trend & customer needs.





VISION, MISSION AND VALUES

To be the industry leader providing best-in-class fluid management solutions to individual and institutional customers and societies in our chosen markets.

We will achieve this through our dedicated efforts to enhance the welfare of all our stakeholders and by living by our values of commitment, reliability and innovation.

RECOGNITIONS OF MERIT

C.R.I.'s dream never ends with laurels and adulations. We are on an unending mission to upgrade and innovate concepts and solutions for a much better living, where sophistication, quality and reliability reach higher altitudes. Our each action is inspired by truly good intentions. No wonder why several prestigious awards decorate our shelves.

WELL CONNECTED

- | Manufacturing companies in 11 countries
- | A formidable global players with 20,000 outlets
- | More than 9000 Variants
- | More than 1500 Authorized service centers
- | Sold in more than 120 Countries





INVESTMENT IS A COMMITMENT

The infrastructure defines the company and its quality. No other reason we have to highlight for installing sophisticated pieces of equipment inside an up-to-the-minute state-of-the-art ambience. As the proof of our long term planning, this investment with an unambiguous foresight continues to drive up productivity, drives down costs, enables communications, meets consumer needs and keeps our growth upward and healthy. This makes us the leader in the pump industry.



ROBOTICS

METAL MEETS METTLE

With a production capacity of over 16000 metric tons per annum, our state-of-the-art steel foundry ensures the availability of first-rate castings to meet our requirements. And this results in finer quality products from C.R.I.





CONTENTS



SL Series

SUBMERSIBLE PUMP WITH VORTEX CURVED VANE IMPELLER

Page
12 - 17



DL Series

SUBMERSIBLE PUMP WITH VORTEX CURVED VANE IMPELLER

Page
18 - 23



GB Series

SUBMERSIBLE PUMP WITH VORTEX CURVED VANE IMPELLER

Page
24 - 45



GA Series

SUBMERSIBLE PUMP WITH VORTEX STRAIGHT VANE IMPELLER

Page
46 - 51



GT Series

SUBMERSIBLE CUTTER & GRINDER PUMPS

Page
52 - 58



MC Series

SUBMERSIBLE PUMP WITH SINGLE CHANNEL IMPELLER

Page
59 - 67



KC Series

SUBMERSIBLE PUMP WITH CLOSED MULTI CHANNEL IMPELLER

Page
68 - 80



MA Series

SUBMERSIBLE PUMP WITH SINGLE CHANNEL SEMI OPEN IMPELLER

Page
81 - 83



AG Series

SUBMERSIBLE AGITATORS

Page
84 - 86



MD Series & TP Series

SUBMERSIBLE MIXERS

Page
87 - 92



JET & AR Series

SUBMERSIBLE AERATORS - JET TYPE & DIFFUSER TYPE

Page
93 - 97

CABLE CONNECTION

Page
98 - 100

ACCESSORIES

Page
101 - 103

INSTALLATION TYPE

Page
104

Model Identification Code

MODEL IDENTIFICATION CODE - SL SERIES

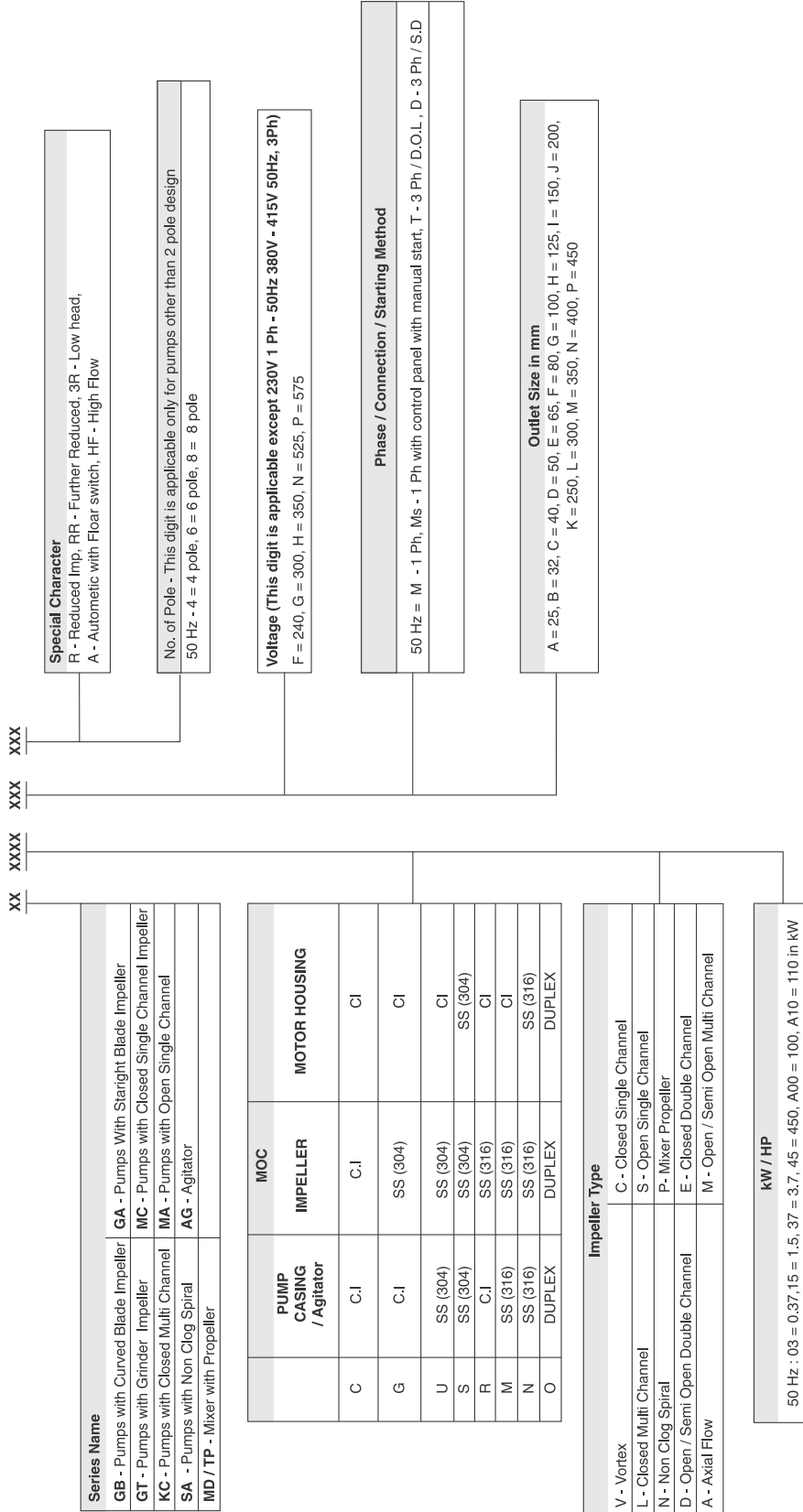
X	X	X	X	-XX	X	X	X	X	X	X	X	X	-A	•
Type		M.O.C.			Impeller Type	Power (kW)	Outlet Size (mm)	Phase / Connection / Control box / Frequency	Voltage (This digit is applicable except 230V 1Ph & 380V-415V 3Ph-50 Hz & 230V 1Ph & 460V, 3 Ph-60Hz) At the time of introduction of other voltages we can give these details		This digit applicable for Automatic Float Switch models	This digit applicable for Inbuilt Capacitor models		
Pump Casing	Impeller	Motor Housing	Impeller Type	Power (kW)					Outlet Size (mm)	Phase / Connection / Control box / Frequency				
		C.I	C.I	C.I	V - Vortex	03 - 0.37	A - 25	S - 1Ph - CSR / 50						
		C.I	C.I	C.I	S - Open / Semi Open Single Channel	05 - 0.55	B - 32	T - 3Ph / D.O.L. / 50						
		C.I	C.I	SS 304	M - Open / Semi open Multi Channel	07 - 0.75	C - 40	D - 3Ph / SD / 50						
		C.I	SS 304	C.I	D - Open / Semi Open Double Channel	11 - 1.1	D - 50							
		C.I	SS 304	SS 304	C - Closed Single Channel	15 - 1.5								
		SS 304	SS 304	SS 304	E - Closed Double Channel	22 - 2.2								
		SS 304	SS 316	SS 316	L - Closed Multi Channel	37 - 3.7								
		C.I	Thermo plastic	C.I	A - Axial Flow	55 - 5.5								
		C.I	Thermo plastic	SS 304		75 - 7.5								

Name & Description	50Hz
	SL-2V-05CS-A, 0.55kW, 50Hz, 1Ph, 230V CSR Inbuilt Capacitor with Automatic Float Switch Light Sewage SL-2V-05CT, 0.55kW, 50Hz, 3Ph, 380-415V Light Sewage Submersible Pumps

DL-2V-07DS-A, 0.75kW, 50Hz, 1Ph, 230V CSR inbuilt capacitor with automatic float switch light drainage submersible pumps.
DL-2V-07DT, 0.75kW, 50Hz, 3Ph, 380-415V light drainage submersible pumps.

Model Identification Code

MODEL IDENTIFICATION CODE - I-TECH SERIES



Special Character
 R - Reduced Imp. RR - Further Reduced, 3R - Low head,
 A - Automatic with Floor switch, HF - High Flow

No. of Pole - This digit is applicable only for pumps other than 2 pole design
 50 Hz - 4 = 4 pole, 6 = 6 pole, 8 = 8 pole

Voltage (This digit is applicable except 230V 1 Ph - 50Hz 380V - 415V 50Hz, 3Ph)
 F = 240, G = 300, H = 350, N = 525, P = 575

Phase / Connection / Starting Method
 50 Hz = M - 1 Ph, Ms - 1 Ph with control panel with manual start, T - 3 Ph / D.O.L., D - 3 Ph / S.D

Outlet Size in mm
 A = 25, B = 32, C = 40, D = 50, E = 65, F = 80, G = 100, H = 125, I = 150, J = 200,
 K = 250, L = 300, M = 350, N = 400, P = 450

- * Pump with inbuilt thermal overload protector
- # Pump with inbuilt moisture sensor
- Pump with inbuilt capacitor
- Dry pit model

Model Name & Description
 50 Hz : GB-CV26-ET, 2.6 kW/50 Hz , 3Ph, 415V, 2 pole DOL Sewage Submersible Pump
 50 Hz : GB-CV26-ETN, 2.6 kW/50 Hz , 3Ph, 525V, 2 pole DOL Sewage Submersible Pump
 50 Hz : KC-CL250-LT-63R, 25 kW/50 Hz, 3Ph, 415V, 8 pole DOL Sewage Submersible Pump
 50 Hz : MD-PP08-T4, 0.8 kW/50 Hz, 3Ph, 415 V , 4 Pole DOL Mixer
 50 Hz : AG-C08-MR, 0.8 kW/50 Hz, 3Ph, 415 V , 2 Pole DOL Agitator



SL Series

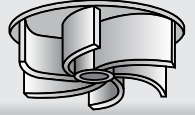
SL series pumps are equipped with vortex impeller. The benefit of a vortex impeller over a channel impeller is the minimised risk of clogging. A Vortex impeller is also a better choice when the pumped liquid has a high content of sand. SL Series pumps have large free passage upto 1” in diameter suitable for lifting of sewage liquids, civil waste and industrial water containing solids and viscous materials, heavy muds or fermented sludge.

Operating parameters	
Max Flow	upto 43.2m ³ /hr
Max Head	upto 18.1m
Impeller Type	Vortex - Curved vane
Outlet Size	40, 50 & 65mm
Max Solid Size	upto 25mm
Maximum Liquid Temperature	upto 40°C
Service	S1 Duty
No. of Starts / Per Hour	20
Max. immersion depth	20m
pH range	6 to 12
Liquid Viscosity	1 mm ² /s
Liquid Density	1kg/dm ³
Max. Noise level	≤ 70dB

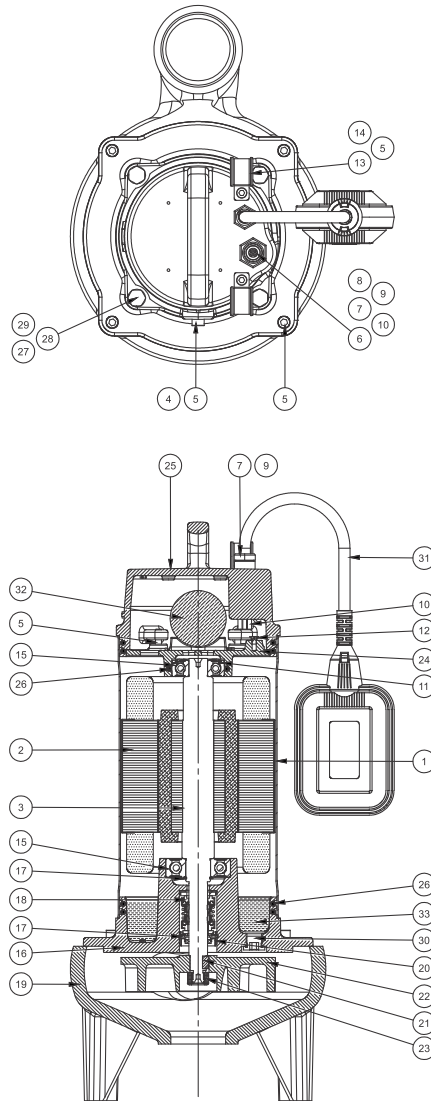
Specifications	
Power Range	0.55 to 2.2 kW
Power Supply	230V - Single phase & 380-415V - Three Phase, 50Hz, AC.
Ingress Protection	IP68
Motor	Dry Type Induction motor
Speed	2850 rpm
Class of Insulation	H
Thermal Overload Protector	* Available
Starting Method	Single Phase - CSR, Three Phase - DOL
Shaft Seal	Single Face & Double Face Single Mechanical seal
Mechanical Seal Face Combination	Silicon Carbide / Silicon Carbide
Bearing Type	Shielded prelubricated bearing
Cable Type	HO7RNF
Standard Cable Length	10m

Material of Construction	
Casing	Cast iron EN-GJL-260
Impeller	Cast iron EN-GJL-260
Motor Body Tube	Stainless Steel AISI 304
Shaft	Stainless Steel X30 Cr13 (AISI 420)
Fasteners	Stainless Steel A2 (AISI 304)

SL Series



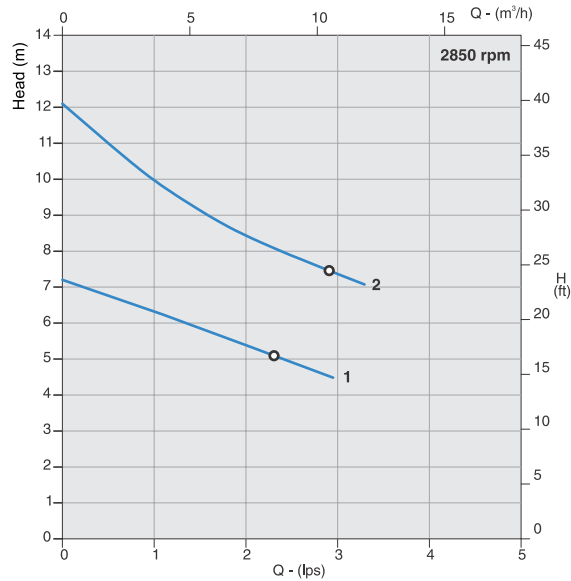
Cross Sectional Drawing



- | | | | |
|-------------------|------------------|---------------------|-------------------|
| 1. Body Tube | 9. Grommet | 17. Circlip | 25. Motor Cover |
| 2. Wound Stator | 10. Ring Staple | 18. Mechanical Seal | 26. O-ring |
| 3. Rotor Shaft | 11. Wave Washer | 19. Casing | 27. Tie Rod |
| 4. Washer - PTFE | 12. Screw | 20. Oil Seal | 28. Doom Nut |
| 5. Allen Bolt | 13. Bush | 21. Key | 29. Washer Spring |
| 6. Cable | 14. Clamp | 22. Impeller | 30. Drain Plug |
| 7. Cable Gland | 15. Bearing | 23. Hex Nut | 31. Float Switch |
| 8. Washer - Brass | 16. Motor Flange | 24. Bearing Flange | 32. Capacitor |
| | | | 33. Oil |

* The above diagram is only for illustration purpose the actual construction of the product may vary according to the model.

PERFORMANCE CURVES

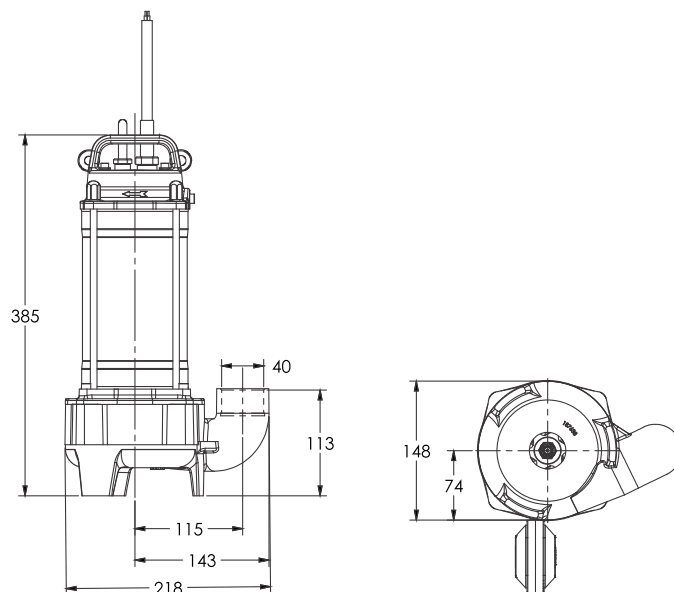


PERFORMANCE TABLE																	
No	Model - Type	P2 kW	Volt	Supply	Amp	rpm	Delivery Size (mm)	Max. Solid Size (mm)	Weight (kg)	l/sec	0	1	2	3	4	5	6
1	SL-2V-05CS-A ●	0.55	230	1Ph	3	2850	40	39	16	Head in m	0	3.6	7.2	10.8	14.4	18	21.6
1	SL-2V-05CT	0.55	400	3Ph	2	2850	40	39	16		7.2	6.3	5.3	4.4			
2	SL-2V-07CS-A ●	0.75	230	1Ph	4.8	2850	40	39	16	12.1	9.9	8.4	7.3				
2	SL-2V-07CT	0.75	400	3Ph	1.5	2850	40	39	16	12.1	9.9	8.4	7.3				

● Inbuilt capacitor hence separate control box is not required.

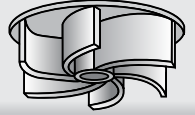
IDENTIFICATION CODE & POWER CABLE SIZE						
No	Product Code	Model - Type	Power Cable		Control Cable	Pump Outlet flange type (inch)
			No. of Core	Size in Sq.mm		
1	610555	SL-2V-05CS-A	4	1.5	NA	THREADED 1½" BSP
1	610556	SL-2V-05CT	4	1.5	NA	THREADED 1½" BSP
2	610557	SL-2V-07CS-A	4	1.5	NA	THREADED 1½" BSP
2	610558	SL-2V-07CT	4	1.5	NA	THREADED 1½" BSP

Dimension Drawing

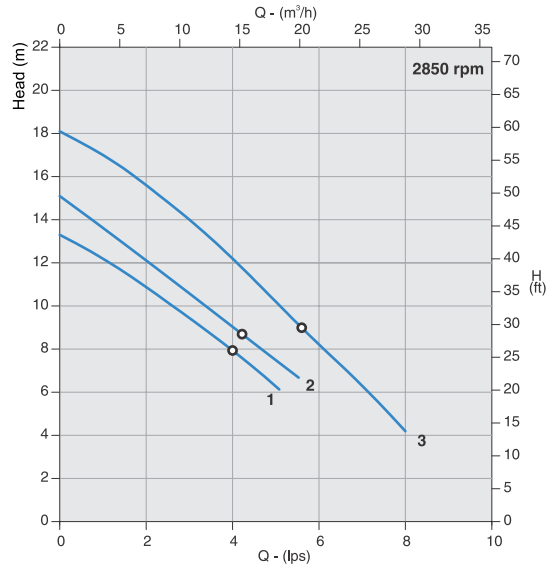


* In view of continuous developments, the information / descriptions / specifications / illustrations are subject to change without notice.

SL Series



PERFORMANCE CURVES

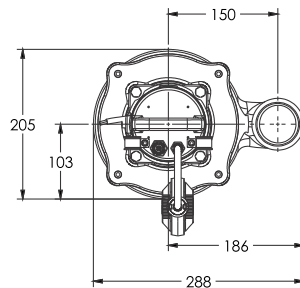
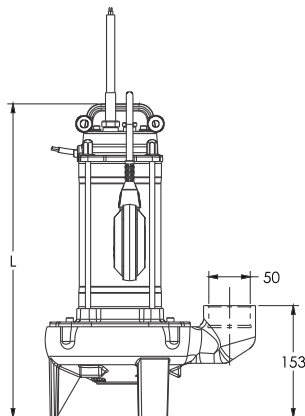


PERFORMANCE TABLE																			
No	Model - Type	P2 kW	Volt	Supply	Amp	rpm	Delivery Size (mm)	Max. Solid Size (mm)	Weight (kg)	l/sec	Head (m)								
											0	1	2	3	4	5	6	7	8
1	SL-2V-07DS-A	0.75	230	1Ph	4.6	2850	50	44	20.5	13.3	12.2	10.8	9.3	7.9	6.2				
1	SL-2V-07DT	0.75	400	3Ph	2.1	2850	50	44	20.5	13.3	12.2	10.8	9.3	7.9	6.2				
2	SL-2V-15DS-A	1.5	230	1Ph	7.1	2850	50	44	23.5	15.1	13.6	12.1	10.5	9	7.4	6			
3	SL-2V-15DT	1.5	400	3Ph	3.1	2850	50	44	23.5	18.1	17	15.6	14	12	10.2	8.2	6.3	4.5	

● Inbuilt capacitor hence separate control box is not required.

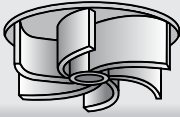
IDENTIFICATION CODE & POWER CABLE SIZE						
No	Product Code	Model - Type	Power Cable		Control Cable	Pump Outlet flange type (inch)
			No. of Core	Size in Sq.mm		
1	610559	SL-2V-07DS-A	4	1.5	NA	THREADED 1½" BSP
1	610560	SL-2V-07DT	4	1.5	NA	THREADED 1½" BSP
2	610561	SL-2V-15DS-A	4	1.5	NA	THREADED 1½" BSP
3	610562	SL-2V-15DT	4	1.5	NA	THREADED 1½" BSP

Dimension Drawing

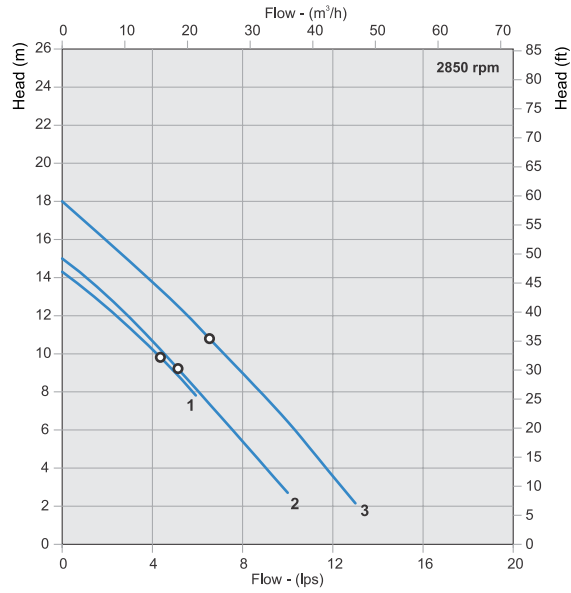


MODEL	L
SL - 2V-07DS-A	430
SL - 2V-07DT	430
SL - 2V-15DS-A	466
SL - 2V-15DT	466

* In view of continuous developments, the information / descriptions / specifications / illustrations are subject to change without notice.



PERFORMANCE CURVES

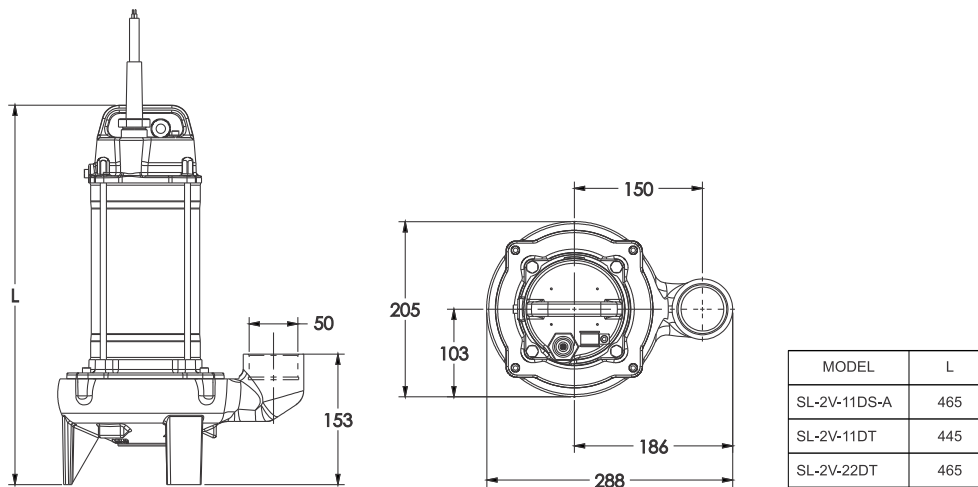


PERFORMANCE TABLE																		
No	Model - Type	P2 kW	VoIt	Supply	Amp	rpm	Delivery Size (mm)	Max. Solid Size (mm)	Weight (kg)	l/sec m³/h	Head in m							
											0	2	4	6	8	10	12	14
1	SL-2V-11DS-A ●	1.1	230	1Ph	7.5	2850	50	44	26	14.2	13	10.2	7.6	5.5	3			
2	SL-2V-11DT	1.1	400	3Ph	3	2850	50	44	24	14.2	13	10.6	8.1	5.5	3			
3	SL-2V-22DT	2.2	400	3Ph	4.4	2850	50	44	26	18	16	13.8	11.5	9	6.5	3.5		

● Inbuilt capacitor hence separate control box is not required.

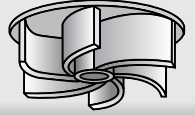
IDENTIFICATION CODE & POWER CABLE SIZE						
No	Product Code	Model - Type	Power Cable		Control Cable	Pump Outlet flange type (inch)
			No. of Core	Size in Sq.mm		
1	610565	SL-2V-11DS-A	4	1.5	NA	THREADED 1½" BSP
2	610563	SL-2V-11DT	4	1.5	NA	THREADED 1½" BSP
3	610567	SL-2V-22DT	4	1.5	NA	THREADED 1½" BSP

Dimension Drawing

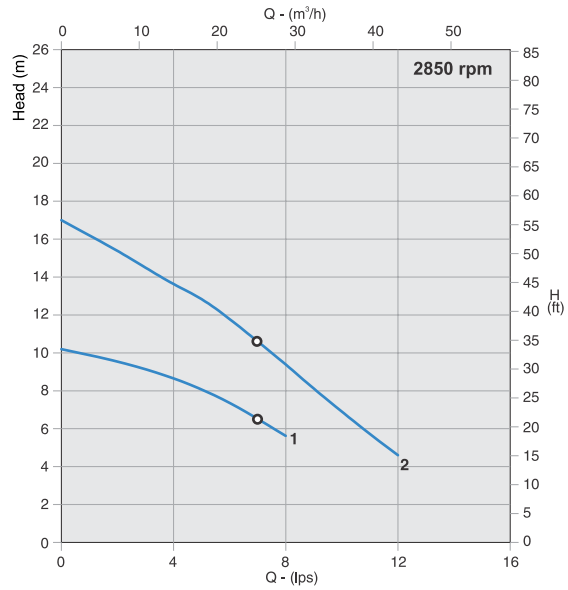


* In view of continuous developments, the information / descriptions / specifications / illustrations are subject to change without notice.

SL Series



PERFORMANCE CURVES

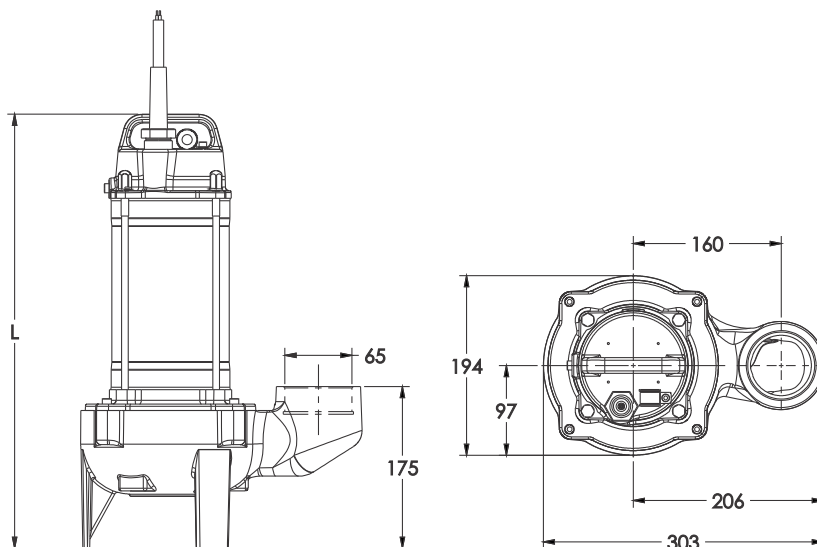


PERFORMANCE TABLE																				
No	Model - Type	P2 kW	VoIt	Supply	Amp	rpm	Delivery Size (mm)	Max. Solid Size (mm)	Weight (kg)	l/sec	Head in m									
											0	2	4	6	8	10	12	14	16	18
1	SL-2V-11ES-A ●	1.1	230	1Ph	7.6	2850	65	55	26.5	10.2	9.5	8.6	7.3	5.6						
1	SL-2V-11ET	1.1	400	3Ph	3	2850	65	55	24.5	10.2	9.5	8.6	7.3	5.6						
2	SL-2V-22ET *	2.2	400	3Ph	4	2850	65	55	27.5	17	15.4	13.6	11.8	9.4	6.9	4.6				

● Inbuilt capacitor hence separate control box is not required.
 * Inbuilt Top

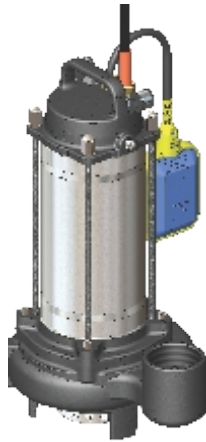
IDENTIFICATION CODE & POWER CABLE SIZE						
No	Product Code	Model - Type	Power Cable		Control Cable	Pump Outlet flange type (inch)
			No. of Core	Size in Sq.mm		
1	610564	SL-2V-11ET	4	1.5	NA	THREADED 2½" BSP
1	610566	SL-2V-11ES-A	4	1.5	NA	THREADED 2½" BSP
2	610568	SL-2V-22ET	4	1.5	NA	THREADED 2½" BSP

Dimension Drawing



MODEL	L
SL-2V-11ES-A	490
SL-2V-11ET	470
SL-2V-22ET	490

* In view of continuous developments, the information / descriptions / specifications / illustrations are subject to change without notice.



DL Series

Light wastewater drainage pumps are designed for pumping wastewater from residential and small commercial buildings. The motors are of dry type with H class insulation for reliable service and pumps are offered with vortex impeller for handling wastewater with minimum wear and tear. These pumps are available in both single phase and three phase motors for continuous duty. Double face mechanical seal ensures better sealing and trouble-free service for long life. All single-phase pumps are thermally protected and supplied with inbuilt capacitor hence separate control box is not required for single phase models. Also, single phase pumps are offered with float switch as standard fitment to avoid dry run in extreme operating conditions.

Design Features

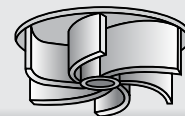
- Stainless steel motor body
- Equipped with vortex impeller for handling wastewater with sand
- Thermal overload protector for single phase models
- Double face mechanical seal for better sealing.

Application

- Dewatering in construction sites
- Light sewage handling
- Pumping wastewater from pit, trench, and basin
- Flood control

Operating parameters	
Maximum Flow	upto 25.2m ³ /h
Maximum Head	upto 14m
Speed	2850 RPM
Impeller Type	Vortex
Outlet Size	1¼" & 2"
Liquid Temperature	upto 40°C
Max Solid Size	10mm
Shaft Seal	Double Face Mechanical seal
Bearing Lubrication	Pre-lubricated sealed bearing
Number of starts per hour	12 times
Duty type	Continuous
pH Value	6 to 12
Liquid Viscosity	1mm ² /s
Liquid density	1kg/dm ³
Maximum Noise level	≤70dB

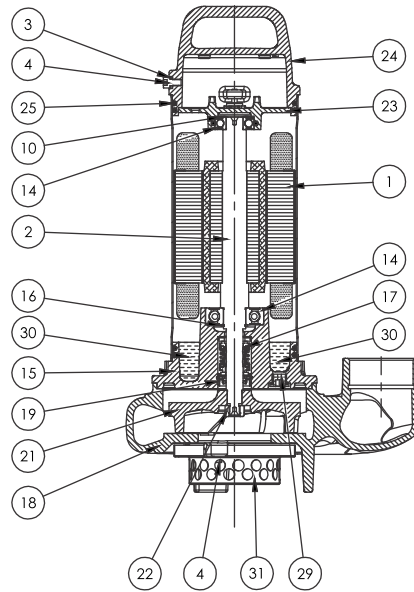
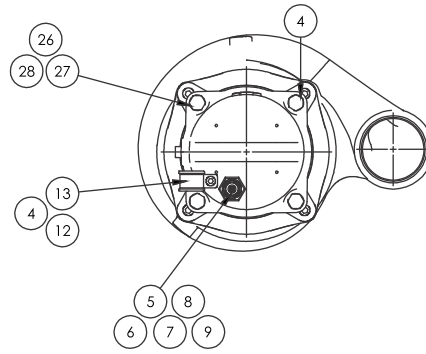
DL Series



Specifications	
Power Range	0.55kW to 1.5kW
Power Supply	230V, Single Phase & 380-415V, Three Phase, 50Hz AC
Motor type	Dry type induction motor
Ingress Protection	IP68
Speed	2850RPM
Class of Insulation	H
Thermal Overload Protector / Float switch	Available in single phase models
Starting Method	Single Phase - CSR & Three Phase - DOL
Shaft seal	Double face mechanical seal
Seal face combination	Silicon Carbide & Silicon Carbide
Cable Type	HO7RNF
Standard Cable length	10m

Material of Construction	
Casing	Cast Iron EN-GJL-260
Impeller	Cast Iron EN-GJL-260
Shaft	Stainless Steel X30 Cr13 (AISI 420)
Motor Body	Stainless Steel AISI 304
Fasteners	Stainless Steel AISI 304

Cross Sectional Drawing

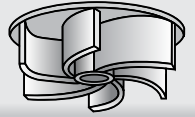


- 1. Body Tube with Wound Stator
- 2. Shaft with Die Cast Rotor
- 3. Washer PTFE
- 4. Allen Bolt
- 5. Cable
- 6. Cable Gland
- 7. Washer Brass
- 8. Grommet
- 9. Ring Staple
- 10. Wave Washer

- *11. Screw
- 12. Bush
- 13. Clamp
- 14. Bearing
- 15. Motor Flange
- 16. Circlip
- 17. Mechanical Seal
- 18. Casing
- 19. Oil Seal*
- 20. Key

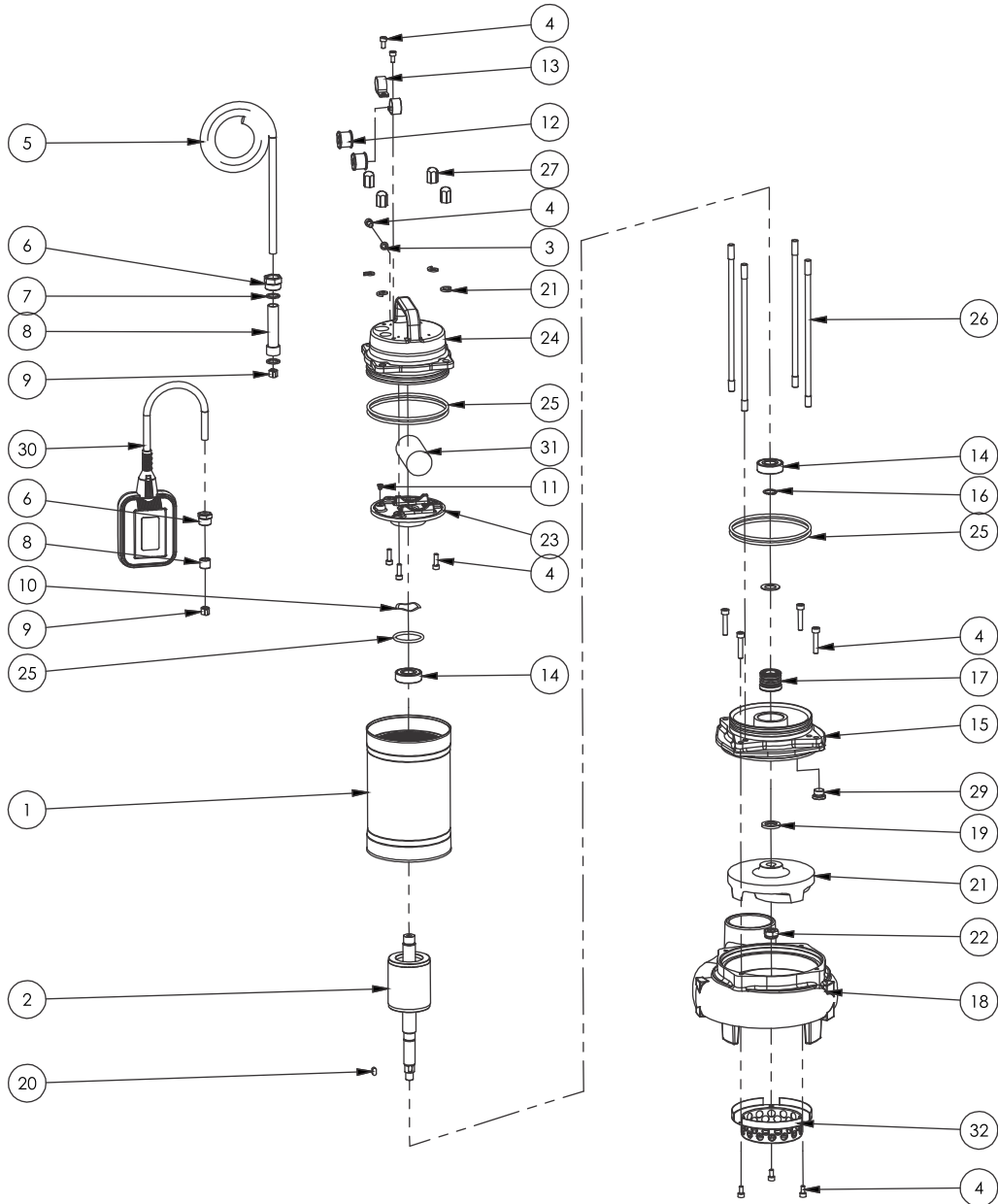
- 21. Impeller
- 22. Hex Nut
- 23. Bearing Flange
- 24. Motor Cover
- 25. O Ring
- 26. Tie Rod
- 27. Doom Nut
- 28. Washer Spring
- 29. Drain Plug
- 30. Oil
- 31. Strainer

* The above diagram is only for illustration purpose the actual construction of the product may vary according to the model.



DL Series

EXPLODED VIEW

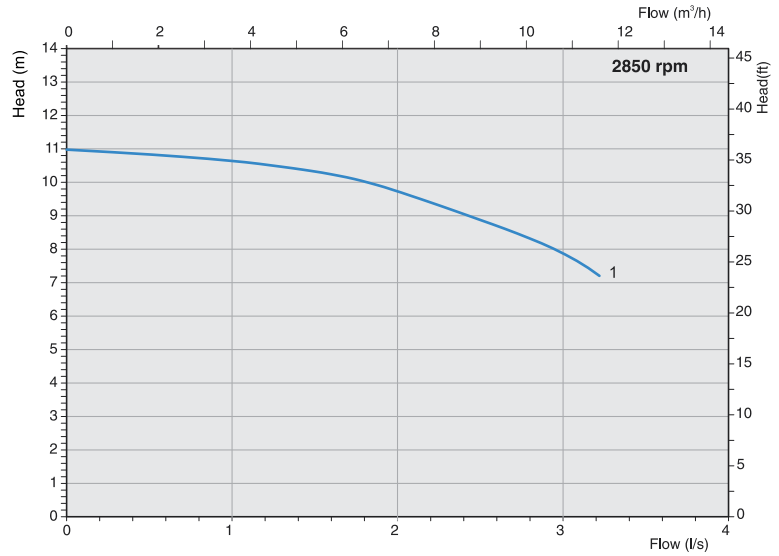


- 1. Wound Stator
- 2. Rotor Shaft
- 3. Washer - PTFE
- 4. Allen Bolt
- 5. Cable
- 6. Cable Gland
- 7. Washer - Brass
- 8. Grommet
- 9. Ring Staple
- 10. Wave Washer

- 11. Screw
- 12. Bush
- 13. Clamp
- 14. Bearing
- 15. Motor Flange
- 16. Circlip
- 17. Mechanical Seal
- 18. Casing
- 19. Oil Seal
- 20. Key
- 21. Impeller

- 22. Hex Nut
- 23. Bearing Flange
- 24. Motor Cover
- 25. O-ring
- 26. Tie Rod
- 27. Doom Nut
- 28. Washer Spring
- 29. Drain Plug
- 30. Float Switch
- 31. Capacitor
- 32. Strainer

PERFORMANCE CURVES

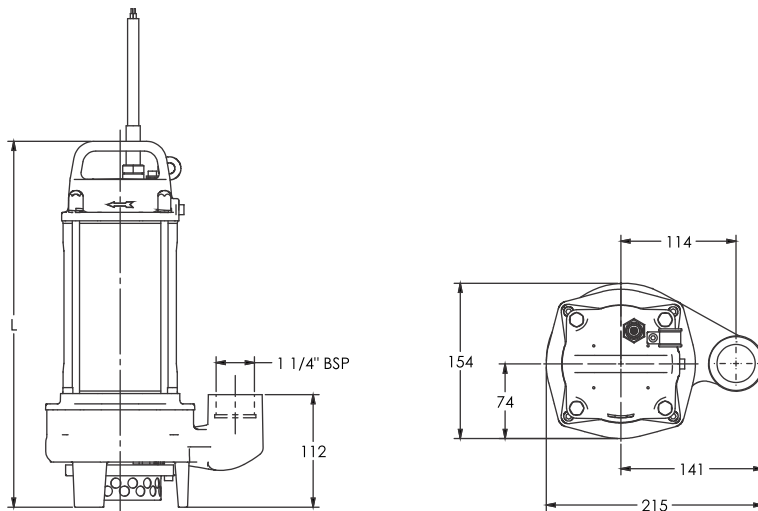


PERFORMANCE TABLE																	
No	Pump Model	P2 kW	Volt	Capacitor Value(µF)	Current in Amp	Speed in rpm	Outlet Size (inches)	Max. Solid Size (mm)	Weight (kg)	l/sec m³/h	0	1	2	3	4	5	6
1	DL-2V-05BS-A ●	0.55	230	16	3	2850	1¼"	10	16	Head in m	11	10.6	9.7	7.9			
1	DL-2V-05BT	0.55	400		2	2850	1¼"	10	16	Head in m	11	10.6	9.7	7.9			

● Inbuilt capacitor hence separate control box is not required.

IDENTIFICATION CODE & POWER CABLE SIZE						
No	Product Code	Model - Type	Power Cable		Control Cable	Pump Outlet flange type (inch)
			No. of Core	Size in Sq.mm		
1	610960	DL-2V-05BS-A	4	1.5	NA	THREADED 1½" BSP
1	610961	DL-2V-05BT	4	1.5	NA	THREADED 1½" BSP

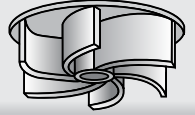
Dimension Drawing



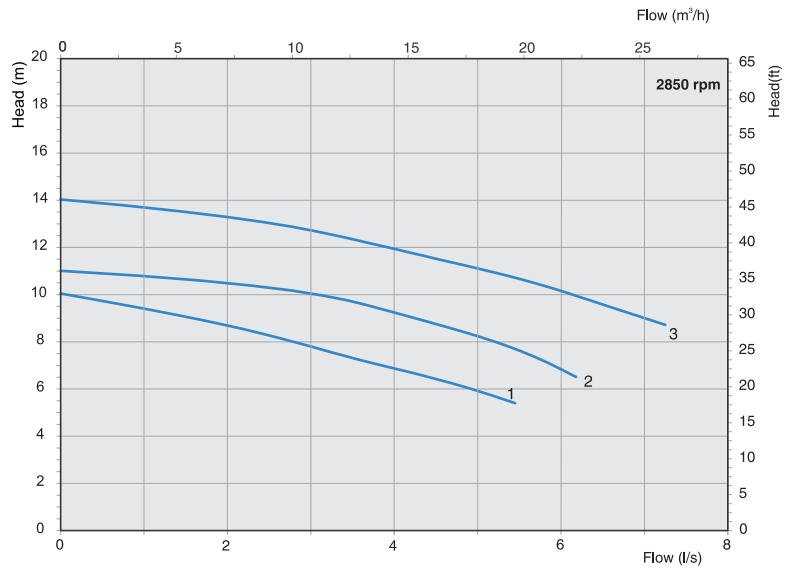
MODEL	L
DL-2V-05BS-A	384
DL-2V-05BT	384

* In view of continuous developments, the information / descriptions / specifications / illustrations are subject to change without notice.

DL Series



PERFORMANCE CURVES

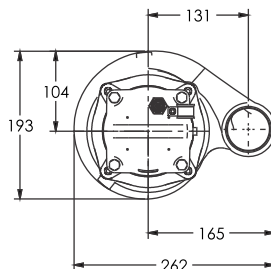
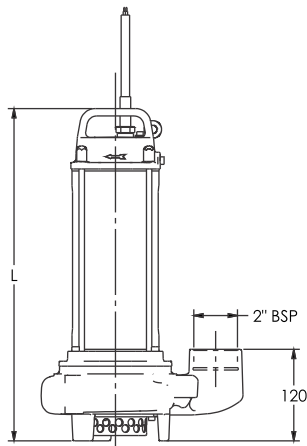


PERFORMANCE TABLE																		
No	Pump Model	P2 kW	Volt	Capacitor Value(µF)	Current in Amp	Speed in rpm	Outlet Size (inches)	Max. Solid Size (mm)	Weight (kg)	l/sec	Head in m							
										m³/h	0	1	2	3	4	5	6	7
1	DL-2V-07DS-A ●	0.75	230	16	5	2850	2"	10	18	10	0	3.6	7.2	10.8	14.4	18	21.6	25.2
1	DL-2V-07DT	0.75	400		2.1	2850	2"	10	18	10	10	9.4	8.7	7.8	6.8	5.9		
2	DL-2V-11DS-A ●	1.1	230	30	5.5	2850	2"	10	21.5	11	10.8	10.5	10.4	9	8.2	6.8		
2	DL-2V-11DT	1.1	400		3.1	2850	2"	10	21.5	11	10.8	10.5	10.4	9	8.2	6.8		
3	DL-2V-15DS-A ●	1.5	230	30	7.1	2850	2"	10	21.5	14	13.7	13.3	12.7	11.9	11.1	10.1	9	
3	DL-2V-15DT	1.5	400		3.5	2850	2"	10	21.5	14	13.7	13.3	12.7	11.9	11.1	10.1	9	

● Inbuilt capacitor hence separate control box is not required.

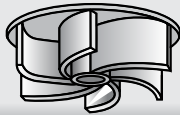
IDENTIFICATION CODE & POWER CABLE SIZE						
No	Product Code	Model - Type	Power Cable		Control Cable	Pump Outlet flange type (inch)
			No. of Core	Size in Sq.mm		
1	610962	DL-2V-07DS-A 3	4	1.5	NA	THREADED 2" BSP
1	610963	DL-2V-07DT	4	1.5	NA	THREADED 2" BSP
2	610964	DL-2V-11DS-A	4	1.5	NA	THREADED 2" BSP
2	610965	DL-2V-11DT	4	1.5	NA	THREADED 2" BSP
3	610966	DL-2V-15DS-A	4	1.5	NA	THREADED 2" BSP
3	610967	DL-2V-15DT	4	1.5	NA	THREADED 2" BSP

Dimension Drawing



MODEL	L
DL-2V-07DS-A	393
DL-2V-07DT	393
DL-2V-11DS-A	434
DL-2V-11DT	434
DL-2V-15DS-A	434
DL-2V-15DT	434

* In view of continuous developments, the information / descriptions / specifications / illustrations are subject to change without notice.



GB Series

GB series pumps are equipped with vortex impeller. The benefit of a vortex impeller over a channel impeller is the minimised risk of clogging. A Vortex impeller is also a better choice when the pumped liquid has a high content of sand. GB Series pumps have large free passage upto 3½” in diameter suitable for lifting of sewage liquids, civil waste and industrial waste water containing solids and viscous materials, heavy muds or fermented sludge.

Operating parameters

Max Flow	upto 216m ³ /hr
Max Head	upto 65.5m
Impeller Type	Vortex - Curved vane
Outlet Size	40 - 100mm
Max Solid Size	upto 90mm
Maximum Liquid Temperature	upto 40°C
Service	S1 Duty
No. of Starts / Per Hour	20
Max. immersion depth	20m
pH range	6 to 12
Liquid Viscosity	1 mm ² /s
Liquid Density	1kg/dm ³
Max. Noise level	≤ 70dB

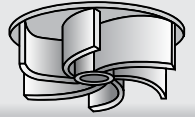
Specifications

Power Range	0.5 to 50 kW
Power Supply	230V - Single phase & 380-415V - Three Phase, 50Hz, AC.
Ingress Protection	IP68
Motor	Dry Type Induction motor
Speed	1450 / 2850 rpm
Class of Insulation	H
Moisture sensor	# Available
Thermal Overload Protector	* Available
Inbuilt capacitor	● Available
Starting Method	Single Phase - CSR, Three Phase - DOL & SD
Shaft Seal	Single / Double Mechanical seal
Mechanical Seal Face Combination	Motor Side : Graphite / Alumina Pump Side : Silicon Carbide / Silicon Carbide
Bearing Type	Shielded prelubricated bearing
Cable Type	HO7RNF
Standard Cable Length	10m

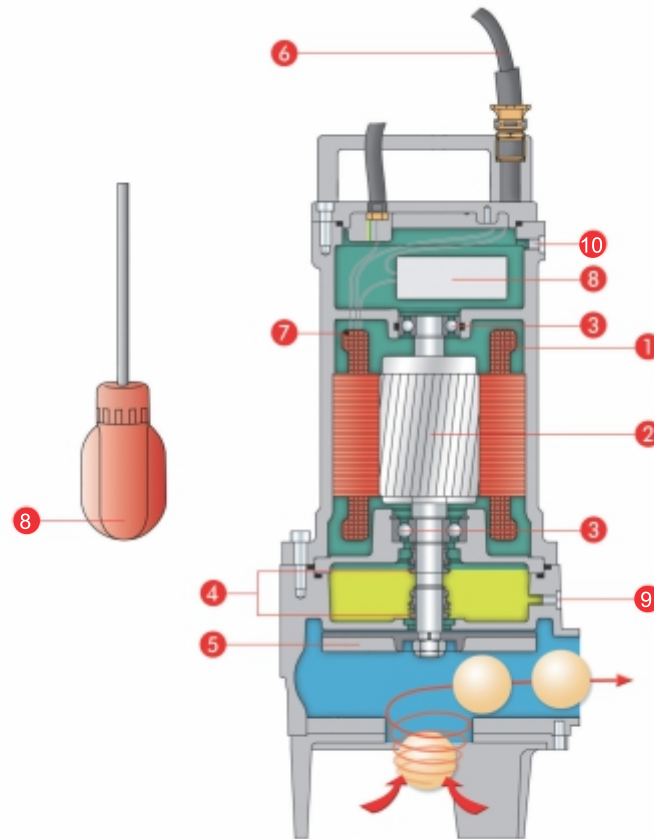
Material of Construction

Casing	Cast iron EN-GJL-260
Impeller	Cast iron EN-GJL-260
Motor Housing	Cast iron EN-GJL-260
Shaft	Stainless Steel X30 Cr13 (AISI 420)
Fasteners	Stainless Steel A2 (AISI 304)

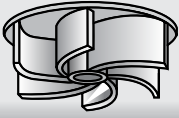
GB Series



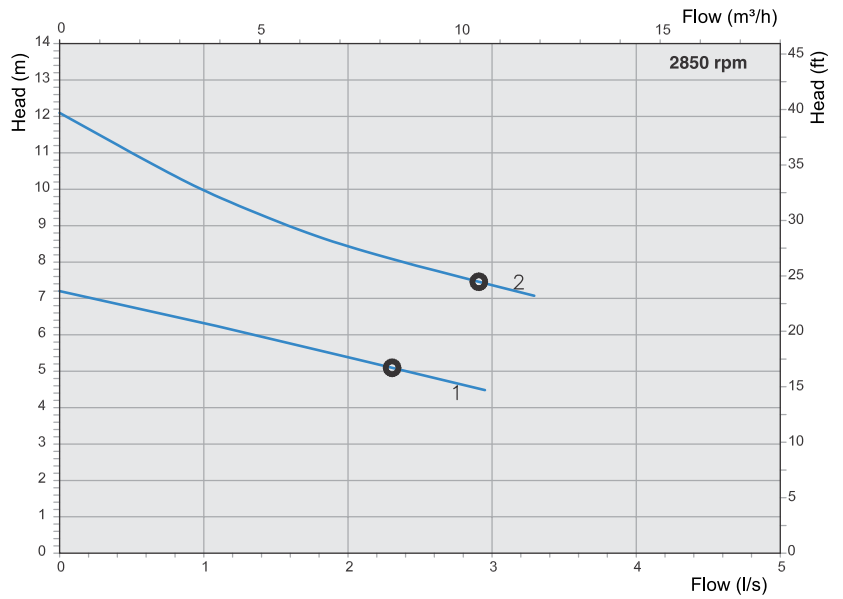
Cross Section Drawing



- | | |
|--|--|
| 1. Fully submersible pressure tight electric motor | 6. Cable |
| 2. Rotor Shaft | 7. Thermal overload protector |
| 3. Bearing | 8. Float switch |
| 4. Mechanical seal | 9. Oil inspection plug |
| 5. Vortex Impeller | 10. Air plug hole for the motor watertightness control |



PERFORMANCE CURVES



PERFORMANCE TABLE

No	Model - Type	P1 kW	P2 kW	Volt	µF	Amp	rpm	Delivery size (mm)	Max. Solid size (mm)	Auto coupling V	Weight (kg)	l/sec m³/h	0	1	2	3	4	5	6
1	GB-CV05-CM-A ●	0.65	0.5	230	16	3	2850	40	36	40N	14	Head in m	7.2	6.3	5.3	4.4			
1	GB-CV05-CT	0.65	0.5	400		2	2850	40	36	40N	14		7.2	6.3	5.3	4.4			
2	GB-CV08-CM-AR ●	0.9	0.8	230	16	4.8	2850	40	36	40N	14	12.1	9.9	8.4	7.3				
2	GB-CV08-CT-R	0.9	0.8	400		1.5	2850	40	36	40N	14	12.1	9.9	8.4	7.3				

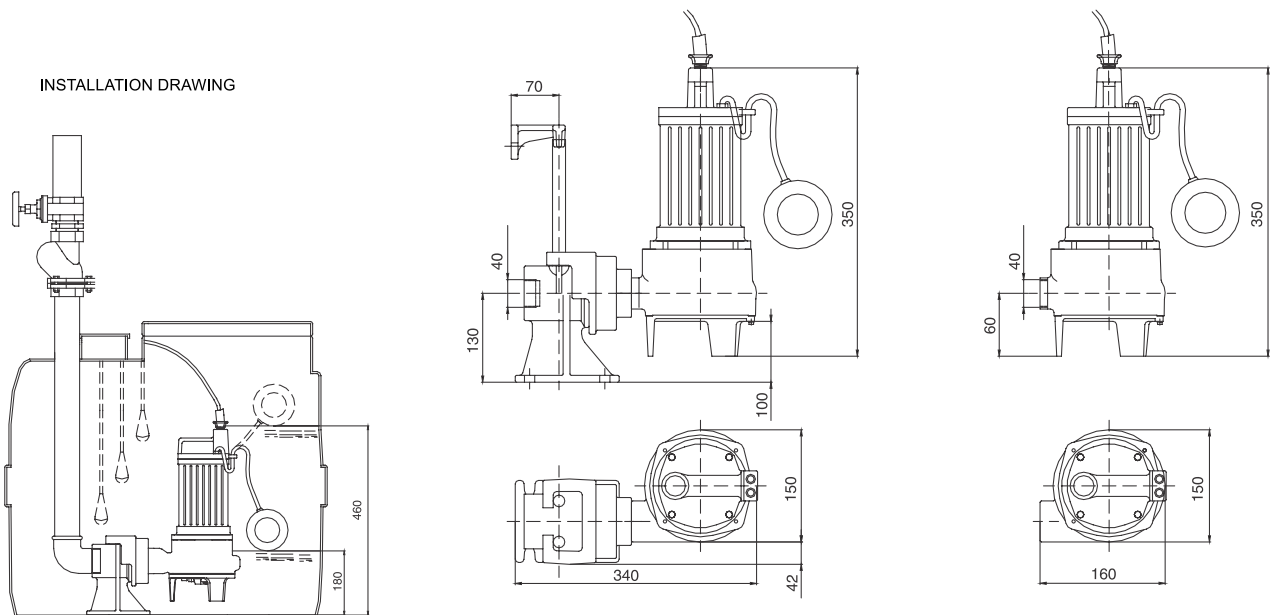
● Inbuilt capacitor hence separate control box is not required.

IDENTIFICATION CODE & POWER CABLE SIZE

No	Product Code	Model - Type	Power Cable		Control Cable	Auto coupling Model	Auto coupling Code	Base Frame Model	Pump Outlet flange type (inch)
			No. of Core	Size in Sq.mm					
1	642908	GB-CV05-CM-A	4	1.5	NA	V40	146294	NA	THREADED G1½"
1	642926	GB-CV05-CT	4	1.5	NA	V40	146294	NA	THREADED G1½"
2	642911	GB-CV08-CM-AR	4	1.5	NA	V40	146294	NA	THREADED G1½"
2	642928	GB-CV08-CT-R	4	1.5	NA	V40	146294	NA	THREADED G1½"

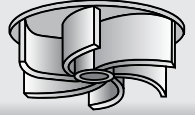
DIMENSION DRAWING

INSTALLATION DRAWING

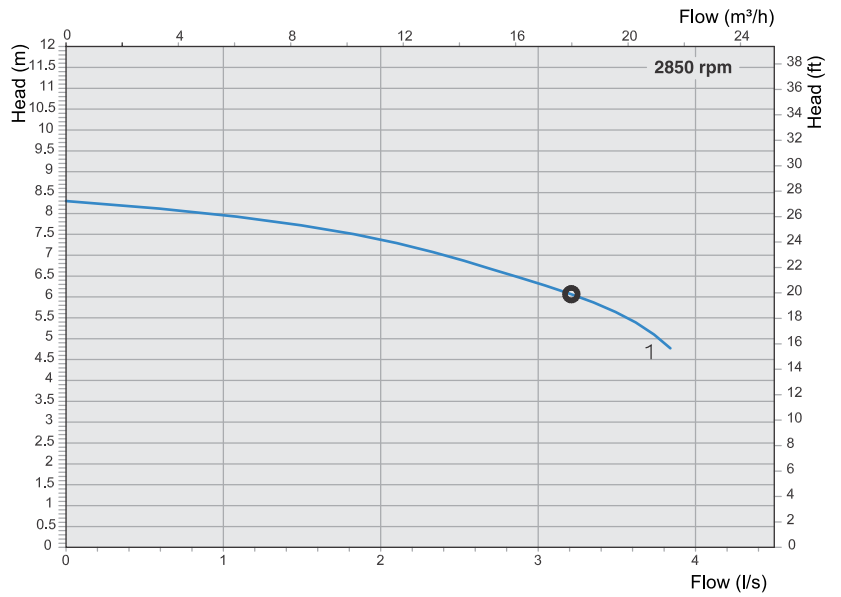


Performance curve tolerances are as per HI : 14.6 / ISO : 9906, Grade - 2B.
In view of continuous developments, the information / descriptions / specifications / illustrations are subject to change without notice.

GB Series



PERFORMANCE CURVES

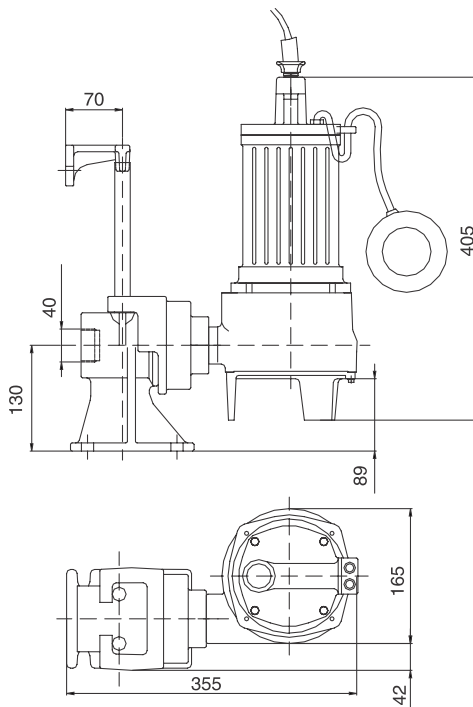
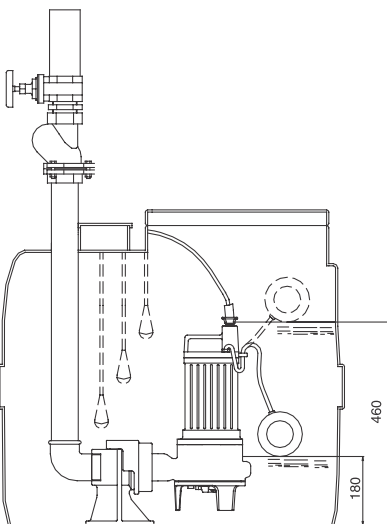


PERFORMANCE TABLE																					
No	Model - Type	P1 kW	P2 kW	Volt	µF	Amp	rpm	Delivery size (mm)	Max. Solid size (mm)	Auto coupling V	Weight (kg)	l/sec m³/h	0	1	2	3	4	5	6	7	
1	GB-CV08-CM-A ●	1.1	0.8	230	22	5	2850	40	36	40N	20	Head in m	8.3	7.8	7.3	6.3	4.4				
1	GB-CV08-CT	1.1	0.8	400		2	2850	40	36	40N	20	Head in m	8.3	7.8	7.3	6.3	4.4				

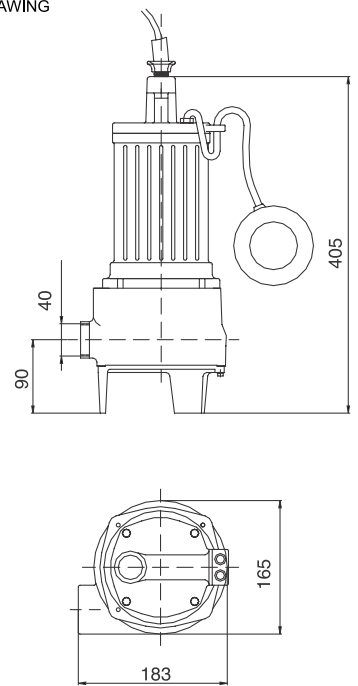
● Inbuilt capacitor hence separate control box is not required.

IDENTIFICATION CODE & POWER CABLE SIZE									
No	Product Code	Model - Type	Power Cable		Control Cable	Auto coupling Model	Auto coupling Code	Base Frame Model	Pump Outlet flange type (inch)
			No. of Core	Size in Sq.mm					
1	642912	GB-CV-08-CM-A	4	1.5	NA	V40	146294	NA	THREADED G1½"
1	642929	GB-CV08-CT	4	1.5	NA	V40	146294	NA	THREADED G1½"

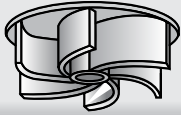
INSTALLATION DRAWING



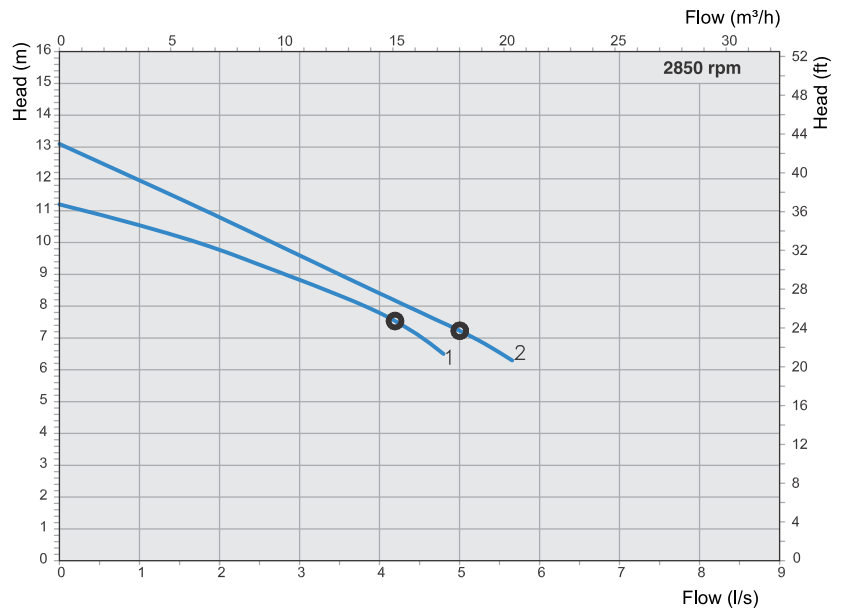
DIMENSION DRAWING



Performance curve tolerances are as per HI : 14.6 / ISO : 9906, Grade - 2B.
 In view of continuous developments, the information / descriptions / specifications / illustrations are subject to change without notice.



PERFORMANCE CURVES



PERFORMANCE TABLE

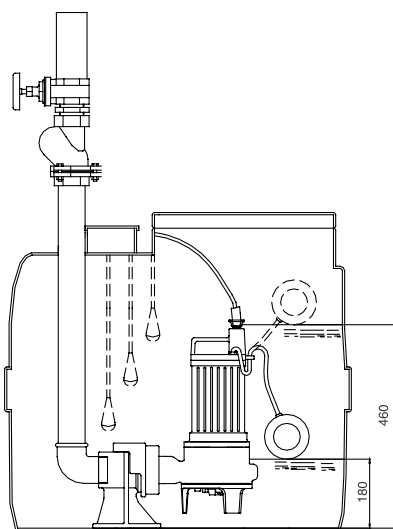
No	Model - Type	P1 kW	P2 kW	Volt	µF	Amp	rpm	Delivery size (mm)	Max.Solid size (mm)	Auto coupling V	Weight (Kg)	l/sec m³/h	Head in m										
													0	1	2	3	4	5	6	7	8	9	
1	GB-CV08-DM-AR ●	1.1	0.8	230	22	5	2850	50	45	50N	24	11.2	10.5	9.7	8.8	7.7	6						
1	GB-CV08-DT-R	1.1	0.8	400		2	2850	50	45	50N	24	11.2	10.5	9.7	8.8	7.7	6						
2	GB-CV12-DMs-AR	1.7	1.2	230	30	7.4	2850	50	45	50N	24	13.1	12	10.7	9.5	8.4	7.1	5.7					
2	GB-CV12-DT-R	1.7	1.2	400		2.5	2850	50	45	50N	24	13.1	12	10.7	9.5	8.4	7.1	5.7					

● Inbuilt capacitor hence separate control box is not required.

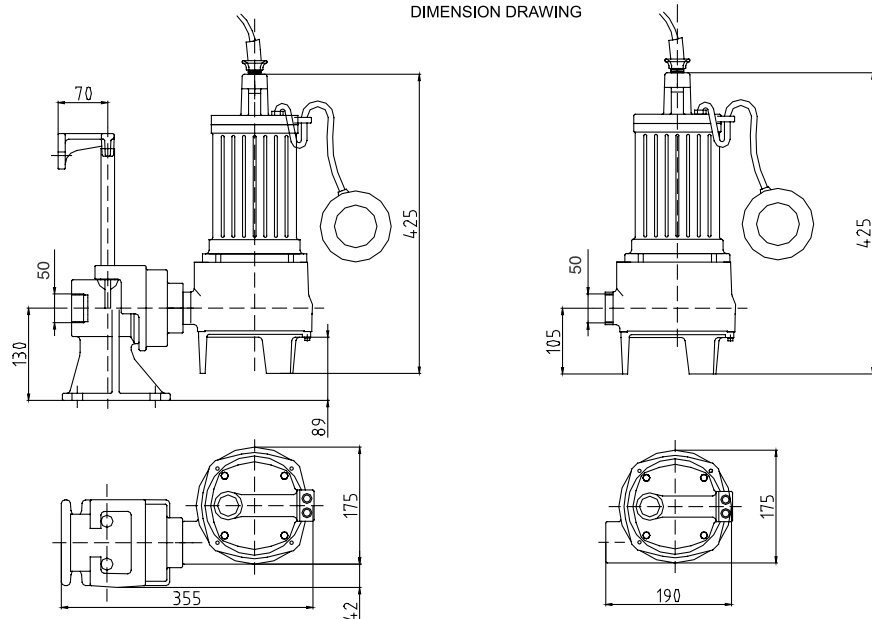
IDENTIFICATION CODE & POWER CABLE SIZE

No	Product Code	Model - Type	Power Cable		Control Cable	Auto coupling Model	Auto coupling Code	Base Frame Model	Pump Outlet flange type (inch)
			No. of Core	Size in Sq.mm					
1	642913	GB-CV08-DM-AR	4	1.5	NA	V50N	146295	NA	THREADED 2" BSP
1	642930	GB-CV08-DT-R	4	1.5	NA	V50N	146295	NA	THREADED 2" BSP
2	642923	GB-CV12-DMs-AR	4	1.5	NA	V50N	146295	NA	THREADED 2" BSP
2	642942	GB-CV12-DT-R	4	1.5	NA	V50N	146295	NA	THREADED 2" BSP

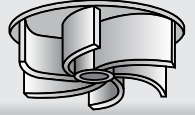
INSTALLATION DRAWING



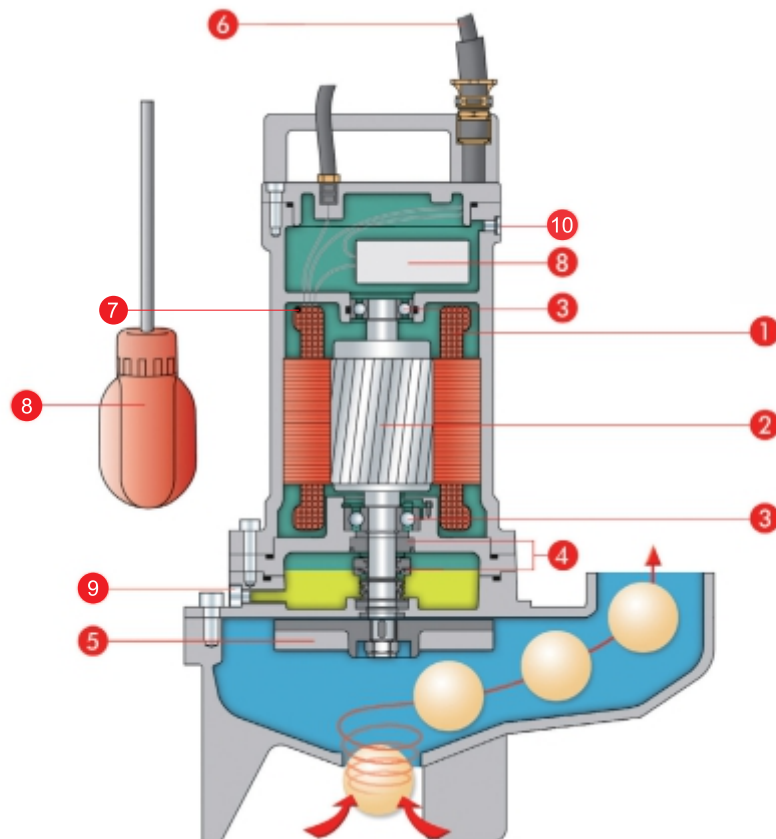
DIMENSION DRAWING



Performance curve tolerances are as per HI : 14.6 / ISO : 9906, Grade - 2B.
 In view of continuous developments, the information / descriptions / specifications / illustrations are subject to change without notice.

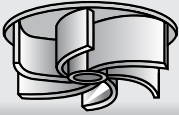


Cross Section Drawing

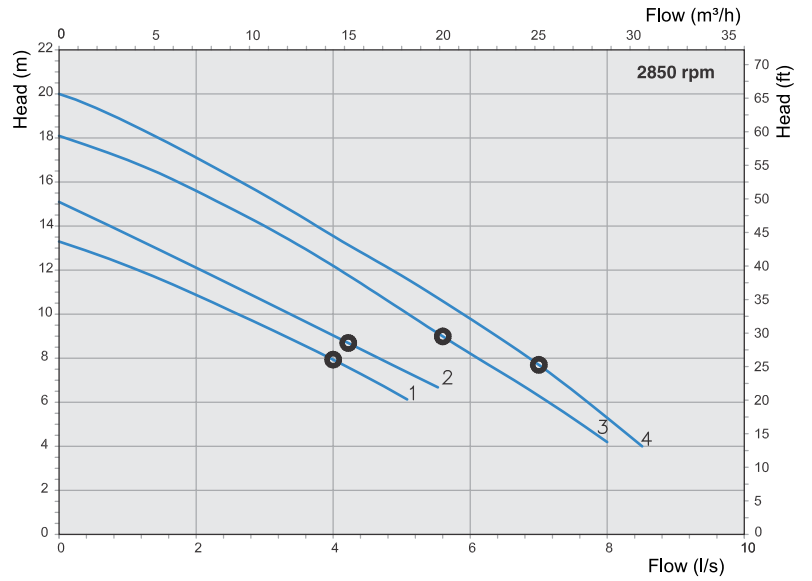


1. Fully submersible pressure tight electric motor
2. Rotor Shaft
3. Bearing
4. Mechanical seal
5. Vortex Impeller

6. Cable
7. Thermal over load protector
8. Float switch
9. Oil inspection plug
10. Air plug hole for the motor water tightness control



PERFORMANCE CURVES



PERFORMANCE TABLE

No	Model - Type	P1 kW	P2 kW	VolT	mF	Amp	rpm	Delivery size (mm)	Max.Solid size (mm)	l/sec m³/h	Head in m																									
											0	1	2	3	4	5	6	7	8	9																
1	GB-CV08-DM-A ●	1	0.8	230	22	4.6	2850	50	40	13.3	12.2	10.8	9.3	7.9	6.2																					
1	GB-CV08-DT	1	0.8	400		2.1	2850	50	40	13.3	12.2	10.8	9.3	7.9	6.2																					
2	GB-CV12-DMs-A	1.6	1.2	230	30	7.1	2850	50	40	15.1	13.6	12.1	10.5	9	7.4	6																				
3	GB-CV12-DT	1.6	1.2	400		3.1	2850	50	40	18.1	17	15.6	14	12.2	10.2	8.2	6.3	4.5																		
4	GB-CV26-DT-R	3.3	2.6	400		5.9	2850	50	40	20	18.8	17.2	15.5	13.5	11.8	9.9	7.7	5.3																		

● Inbuilt capacitor hence separate control box is not required.

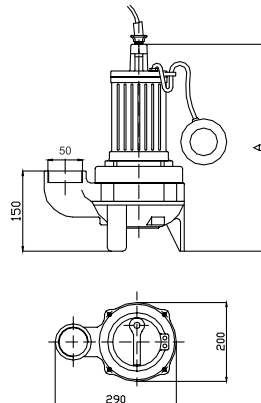
DIMENSION & WEIGHT DATA

No	Model - Type	A max	A3 max	E	F3	H	DN2	DN4	P3	P4	Auto coupling	Weight (kg)
1	GB-CV08-DM-A	410	368	77	150	290	2"	2"	250	445	50	22
1	GB-CV08-DT	410	368	77	150	290	2"	2"	250	445	50	22
2	GB-CV12-DMs-A	430	388	77	150	290	2"	2"	270	465	50	23.5
3	GB-CV12-DT	430	388	77	150	290	2"	2"	270	465	50	23.5
4	GB-CV26-DT-R	460	418	77	150	290	2"	2"	245	495	50	37

IDENTIFICATION CODE & POWER CABLE SIZE

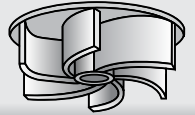
No	Product Code	Model - Type	Power Cable		Control Cable	Pump Outlet flange type (inch)
			No. of Core	Size in Sq.mm		
1	642914	GB-CV08-DM-A	4	1.5	NA	THREADED 2" BSP
1	642931	GB-CV08-DT	4	1.5	NA	THREADED 2" BSP
2	642920	GB-CV12-DMs-A	4	1.5	NA	THREADED 2" BSP
3	642940	GB-CV12-DT	4	1.5	NA	THREADED 2" BSP
4	642953	GB-CV26-DT-R	4	1.5	NA	THREADED 2" BSP

DIMENSION DRAWING

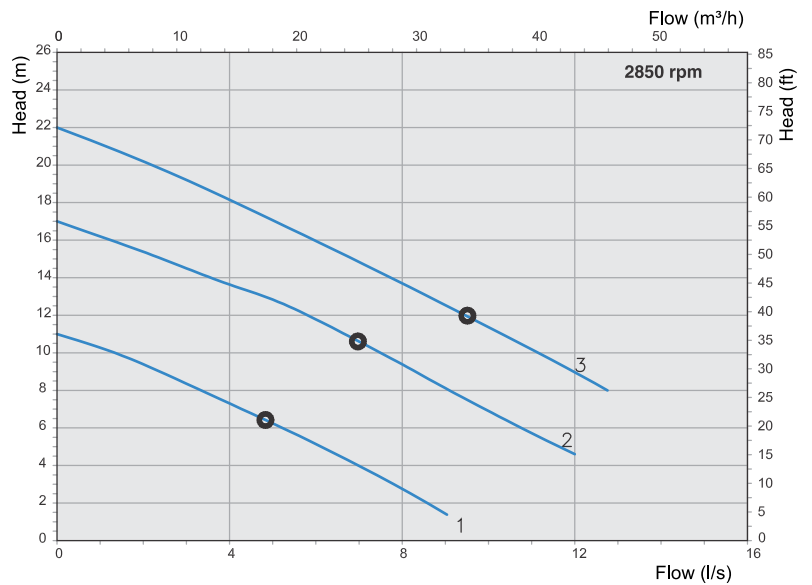


Performance curve tolerances are as per HI : 14.6 / ISO : 9906, Grade - 2B.
 In view of continuous developments, the information / descriptions / specifications / illustrations are subject to change without notice.

GB Series



PERFORMANCE CURVES



PERFORMANCE TABLE

No	Model - Type	P1 kW	P2 kW	Volt	µF	Amp	rpm	Delivery size (mm)	Max. Solid size (mm)	l/sec	Head in m											
											0	1	2	3	4	5	6	7	8	9	10	11
1	GB-CV12-EMs-A	1.6	1.2	230	30	7.1	2850	65	55	11	10.2	9.3	8.3	7.3	6.2	5.1	4	2.7	1.4			
1	GB-CV12-ET	1.6	1.2	400		3.1	2850	65	55	11	10.2	9.3	8.3	7.3	6.2	5.1	4	2.7	1.4			
2	GB-CV18-ET	2.3	1.85	400		4	2850	65	55	17	16.2	15.4	14.5	13.6	12.9	11.8	10.6	9.4	8.1	6.9	5.7	4.6
3	GB-CV26-ET	3.3	2.6	400		5.9	2850	65	55	22	21.1	20.4	19.2	18.2	17	15.9	14.9	13.7	12.5	11.4	10.2	9

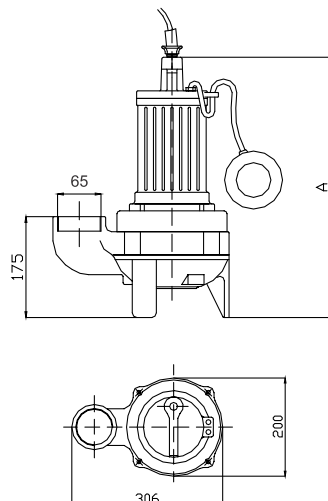
DIMENSION & WEIGHT DATA

No	Model - Type	A max	A3 max	E	F3	H	DN2	DN4	P3	P4	Auto coupling V	Weight (kg)
1	GB-CV12-EMs-A	455	405	70	175	306	2"1/2	2"1/2	302	498	50*	24.5
1	GB-CV12-ET	455	405	70	175	306	2"1/2	2"1/2	302	498	50*	24.5
2	GB-CV18-ET	485	455	70	175	306	2"1/2	2"1/2	303	428	50*	31.5
3	GB-CV26-ET	505	455	70	175	306	2"1/2	2"1/2	397	548	50*	38

IDENTIFICATION CODE & POWER CABLE SIZE

No	Product Code	Model - Type	Power Cable		Control Cable	Pump Outlet flange type (inch)
			No. of Core	Size in Sq.mm		
1	642921	GB-CV12-EMs-A	4	1.5	NA	THREADED 2.5" BSP
1	642943	GB-CV12-ET	4	1.5	NA	THREADED 2.5" BSP
2	642945	GB-CV18-ET	7	1.5	NA	THREADED 2.5" BSP
3	642954	GB-CV26-ET	4	1.5	NA	THREADED 2.5" BSP

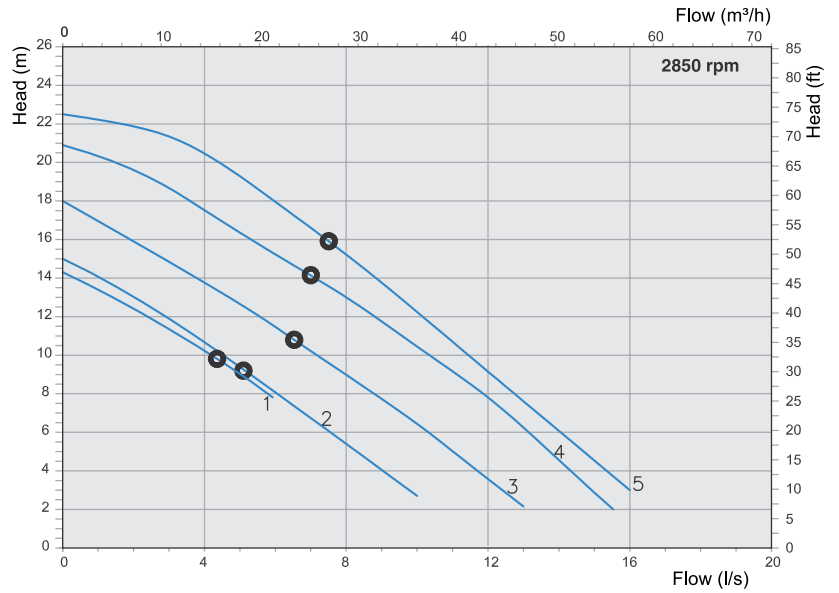
DIMENSION DRAWING



Performance curve tolerances are as per HI : 14.6 / ISO : 9906, Grade - 2B.
In view of continuous developments, the information / descriptions / specifications / illustrations are subject to change without notice.



PERFORMANCE CURVES



PERFORMANCE TABLE

No	Model - Type	P1 kW	P2 kW	Volt	µF	Amp	rpm	Delivery size (mm)	Max. Solid size (mm)	l/sec m³/h	Head in m															
											0	2	4	6	8	10	12	14	16							
1	GB-CV11-DMs	1.55	1.1	230	40	7.5	2850	50	40	0	7.2	14.4	21.6	28.8	36	43.2	50.4	57.6								
2	GB-CV11-DT	1.45	1.1	400		3	2850	50	40	14.2	13.4	10.2	7.6													
3	GB-CV18-DT	2.1	1.85	400		4.4	2850	50	40	14.5	13	10.6	8.1	5.5	3											
4	GB-CV26-DT	3.2	2.6	400		5.9	2850	50	40	18	16	13.8	11.5	9	6.5	3.5										
5	GB-CV30-DT	4	3	400		7.5	2850	50	40	20.9	19.6	17.5	15.2	13	10.5	7.8	4.6									
										22	21.8	20.5	18	15.3	12.3	9	6	3								

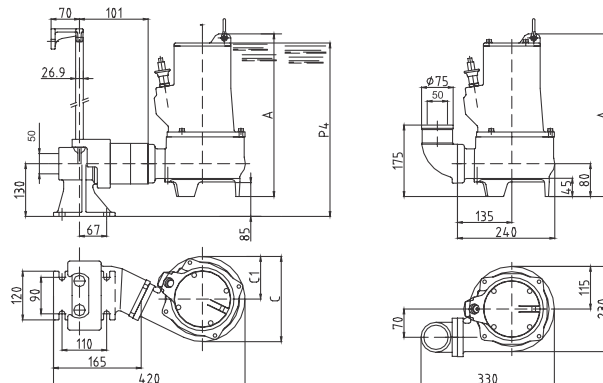
DIMENSION & WEIGHT DATA

No	Model - Type	A max	P3	P4	Auto coupling V	Weight (kg)
1	GB-CV11-DMs	400	210	435	50	31
2	GB-CV11-DT	440	250	475	50	30
3	GB-CV18-DT	400	210	435	50	32
4	GB-CV26-DT	440	225	475	50	35
5	GB-CV30-DT	465	230	500	50	45

IDENTIFICATION CODE & POWER CABLE SIZE

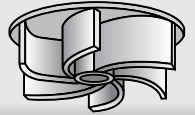
No	Product Code	Model - Type	Power Cable		Control Cable	Auto coupling Model	Auto coupling Code	Base Frame Model	Pump Outlet flange code	Pump Outlet flange type (inch)
			No. of Core	Size in Sq.mm						
1	642916	GB-CV11-DMs	4	1.5	NA	V50	146296	NA	NA	SQUARE FLANGE 2"
2	642936	GB-CV11-DT	4	1.5	NA	V50	146296	NA	NA	SQUARE FLANGE 2"
3	642946	GB-CV18-DT	4	1.5	NA	V50	146296	NA	NA	SQUARE FLANGE 2"
4	642955	GB-CV26-DT	4	1.5	NA	V50	146296	NA	NA	SQUARE FLANGE 2"
5	642960	GB-CV30-DT	4	1.5	NA	V50	146296	NA	NA	SQUARE FLANGE 2"

DIMENSION DRAWING

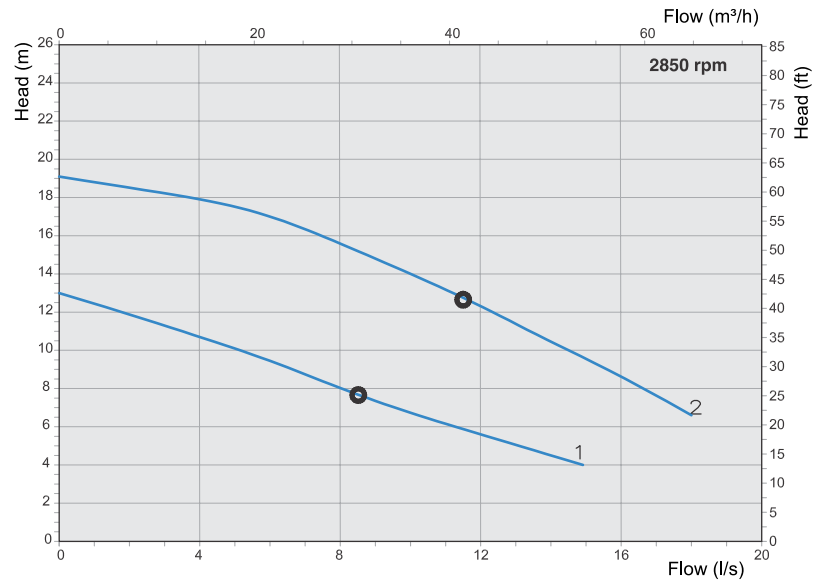


Performance curve tolerances are as per HI : 14.6 / ISO : 9906, Grade - 2B.
In view of continuous developments, the information / descriptions / specifications / illustrations are subject to change without notice.

GB Series



PERFORMANCE CURVES



PERFORMANCE TABLE

No	Model - Type	P1 kW	P2 kW	Volt	Amp	rpm	Delivery size (mm)	Max. Solid size (mm)	I/sec	0	2	4	6	8	10	12	14	16	18	20	
									m³/h	13	11.9	10.7	9.5	8	6.7	5.6	4.5	3.6	2.8	2.1	1.6
1	GB-CV18-ET-RR	2.3	1.85	400	4	2850	65	50	Head in m	19.1	18.5	17.9	17	15.6	14	12.3	10.4	8.7	6.6		
2	GB-CV40-ET-R	4.9	4	400	9	2850	65	50													

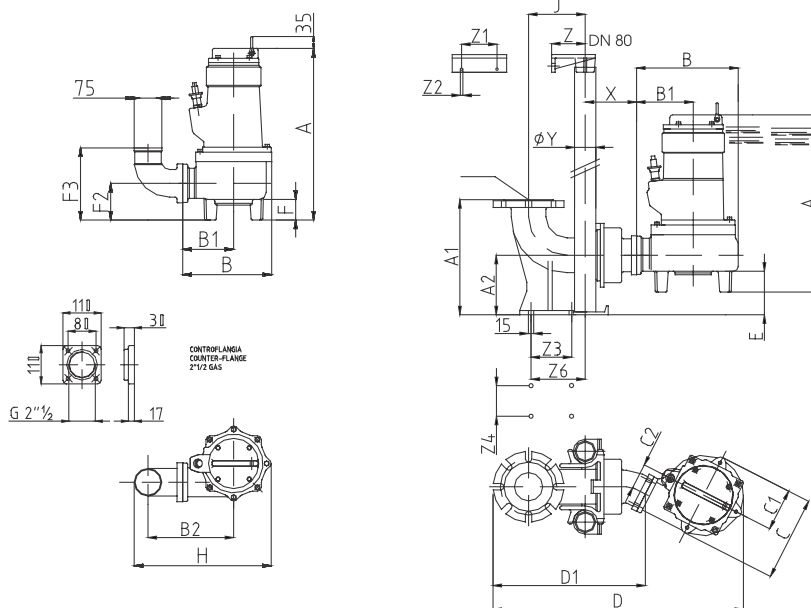
DIMENSION & WEIGHT DATA

No	Model - Type	A max	A1	A2	B	B1	B2	C	C1	C2	D	D1	E	H	J	X	Y	Z	Z1	Z3	Z4	Z6	DN3	P3	P4	Auto coupling V	Weight (kg)
1	GB-CV18-ET-RR	475	300	160	250	154	255	220	110	55	635	355	56	400	134	130	42.4	84	100	90	100	140	65	320	510	65	33
2	GB-CV40-ET-R	505	325	168	270	148	258	240	120	72	707	430	64	425	160	145	60.3	95	150	120	120	175	80	345	555	80	51

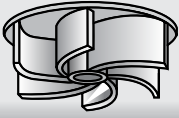
IDENTIFICATION CODE & POWER CABLE SIZE

No	Product Code	Model - Type	Power Cable		Control Cable	Auto coupling Model	Auto coupling Code	Base Frame Model	Pump outlet flange code	Pump Outlet flange type (inch)
			No. of Core	Size in Sq.mm						
1	642950	GB-CV18-ET-RR	4	1.5	NA	V65	121058	NA	NA	SQUARE FLANGE 2½"
2	642965	GB-CV40-ET-R	4	1.5	NA	V80	121060	NA	NA	SQUARE FLANGE 2½"

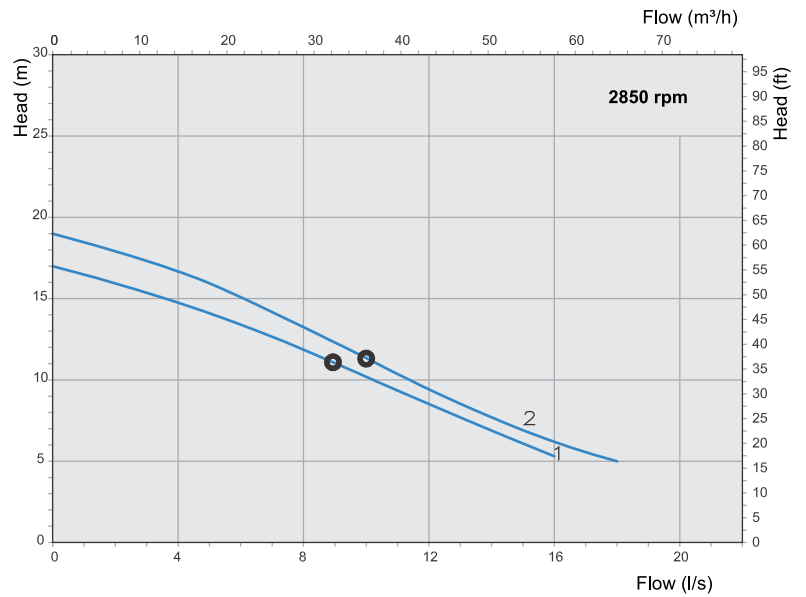
DIMENSION DRAWING



Performance curve tolerances are as per HI : 14.6 / ISO : 9906, Grade - 2B.
In view of continuous developments, the information / descriptions / specifications / illustrations are subject to change without notice.



PERFORMANCE CURVES



PERFORMANCE TABLE

No	Model - Type	P1 kW	P2 kW	Volt	Amp	rpm	Delivery size (mm)	Max.Solid size (mm)	I/sec	Head in mm												
									m³/h	0	2	4	6	8	10	12	14	16	18	20	22	
1	GB-CV26-ET-R	3.2	2.6	400	5.8	2850	65	55	Head in mm	17	16	15	13.8	12	10.5	8.4	7	5.3				
2	GB-CV40-ET	4.9	4	400	9	2850	65	55	Head in mm	19	18	16.9	15.1	12.8	11.4	9.3	7.6	6	5			

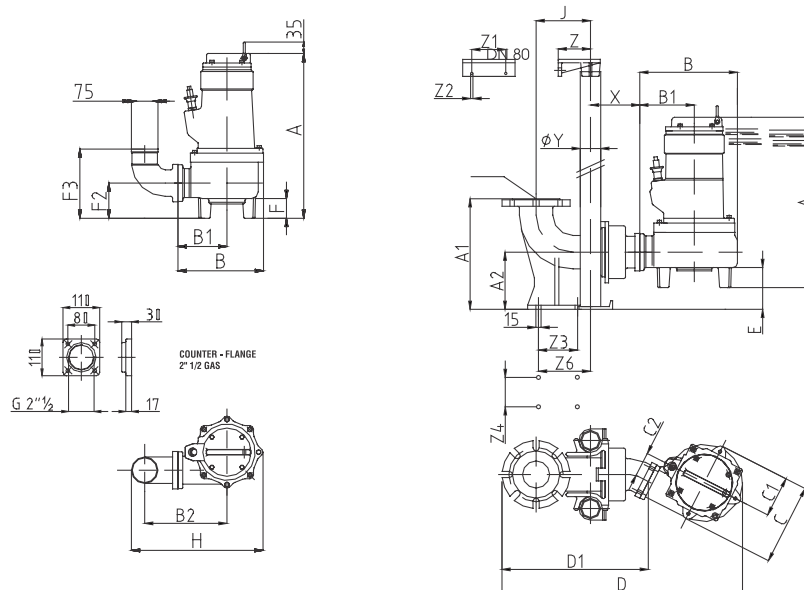
DIMENSION & WEIGHT DATA

No	Model - Type	A max	A1	A2	B	B1	B2	C	C1	C2	D	D1	E	F	F2	F3	H	J	X	Y	Z	Z1	Z2	Z3	Z4	Z6	DN3	P3	P4	Auto coupling V	Weight (kg)
1	GB-CV26-ET-R	485	300	160	250	145	242	220	110	55	635	355	56	59	105	205	400	134	130	42.4	84	100	14	90	100	140	65	310	525	65	40
2	GB-CV40-ET	505	325	168	270	148	258	240	220	72	707	430	64	59	105	205	425	160	145		95	150	14	120	120	175	80	345	555	80	51

IDENTIFICATION CODE & POWER CABLE SIZE

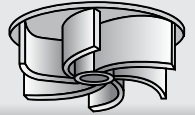
No	Product Code	Model - Type	Power Cable		Control Cable	Auto coupling Model	Auto coupling Code	Base Frame Model	Pump Outlet flange type (inch)
			No. of Core	Size in Sq.mm					
1	642957	GB-CV26-ET-R	4	1.5	NA	V65	121058	NA	SQUARE FLANGE 2½"
2	642967	GB-CV40-ET	4	1.5	NA	V80	121060	NA	SQUARE FLANGE 2½"

DIMENSION DRAWING

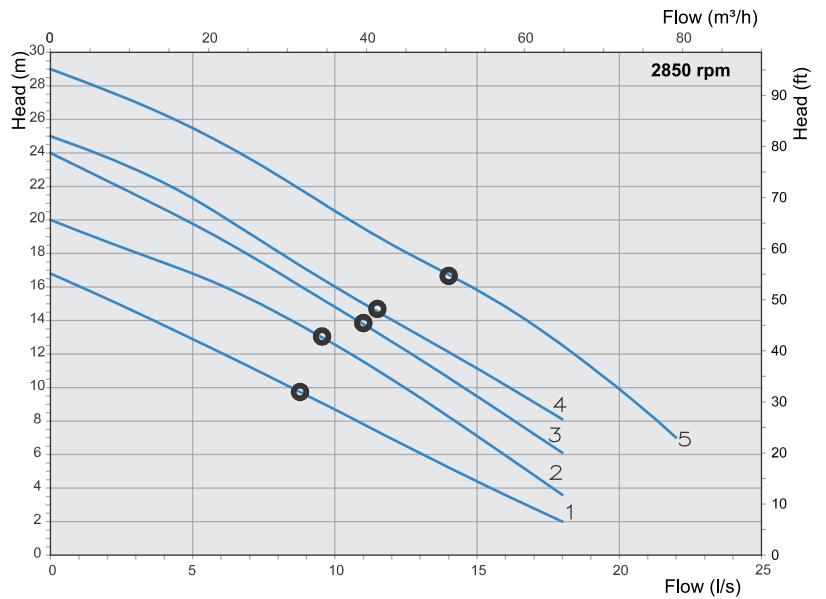


Performance curve tolerances are as per HI : 14.6 / ISO : 9906, Grade - 2B.
 In view of continuous developments, the information / descriptions / specifications / illustrations are subject to change without notice.

GB Series



PERFORMANCE CURVES



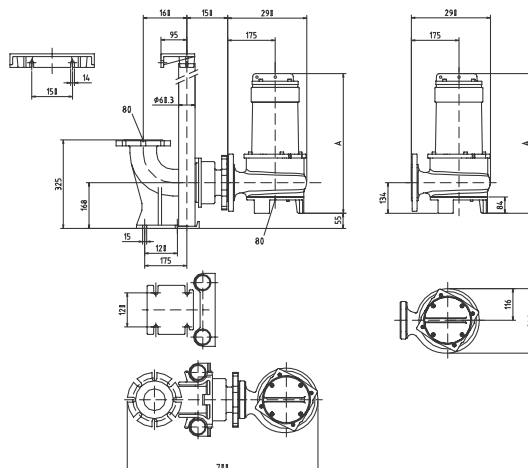
PERFORMANCE TABLE																	
No	Model - Type	P1 kW	P2 kW	Volt	Amp	rpm	Delivery size (mm)	Max.Solid size (mm)	l/sec m³/h	Head in m							
										0	3	6	9	12	15	18	21
1	GB-CV18-FT-R	2.3	1.85	400	4	2850	80	50	16.8	14.5	12	9.5	7	4.5	2		
2	GB-CV26-FT-R	3.3	2.6	400	5.8	2850	80	50	20	18	16.1	13.5	10.5	6.5	3.5		
3	GB-CV30-FT-R	3.7	3	400	6.1	2850	80	50	24	21.5	19	15.8	12.8	9.5	6.1		
4	GB-CV40-FT-R	4.9	4	400	9	2850	80	50	25	23	20.3	17	14	11.2	8.1		
5	GB-CV55-FD-RR *	6.8	5.5	400	12	2850	80	50	29	27	24.6	21.6	18.5	15.8	12.5	8.5	7

* Inbuilt with Top

DIMENSION & WEIGHT DATA				
No	Model - Type	A max	Auto coupling V	Weight (kg)
1	GB-CV18-FT-R	507	80N	42
2	GB-CV26-FT-R	507	80N	44
3	GB-CV30-FT-R	513	80N	45
4	GB-CV40-FT-R	513	80N	49
5	GB-CV55-FD-RR	563	80N	57

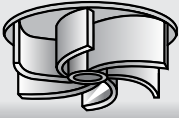
IDENTIFICATION CODE & POWER CABLE SIZE									
No	Product Code	Model - Type	Power Cable		Control Cable	Auto coupling Model	Auto coupling Code	Base Frame Model	Pump Outlet flange type (inch)
			No. of Core	Size in Sq.mm					
1	642947	GB-CV18-FT-R	4	1.5	NA	V80N	121059	NA	SEMI CIRCLE FLANGE 3"
2	642958	GB-CV26-FT-R	4	1.5	NA	V80N	121059	NA	SEMI CIRCLE FLANGE 3"
3	642961	GB-CV30-FT-R	4	1.5	NA	V80N	121059	NA	SEMI CIRCLE FLANGE 3"
4	642968	GB-CV40-FT-R	4	1.5	NA	V80N	121059	NA	SEMI CIRCLE FLANGE 3"
5	642897	GB-CV55-FD-RR	12	1.5	NA	V80N	121059	NA	SEMI CIRCLE FLANGE 3"

DIMENSION DRAWING

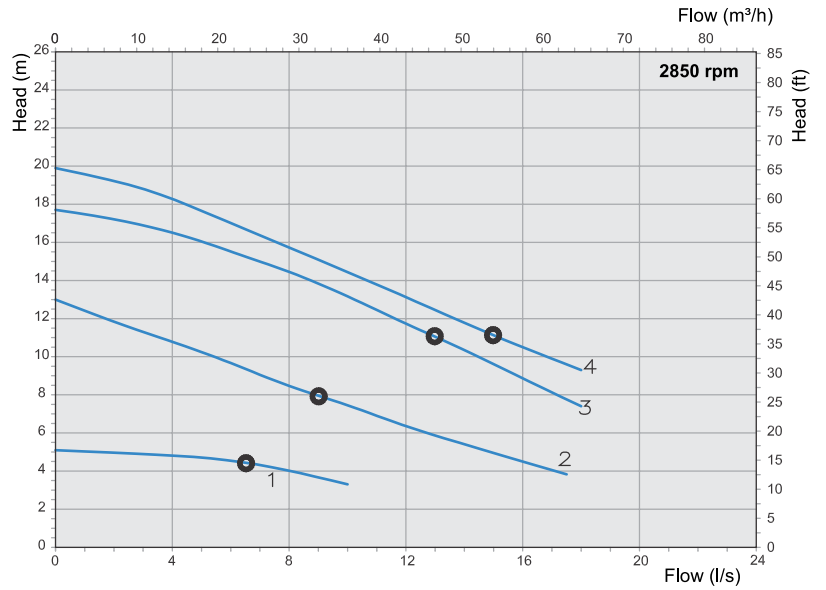


Performance curve tolerances are as per HI : 14.6 / ISO : 9906, Grade - 2B.

In view of continuous developments, the information / descriptions / specifications / illustrations are subject to change without notice.



PERFORMANCE CURVES



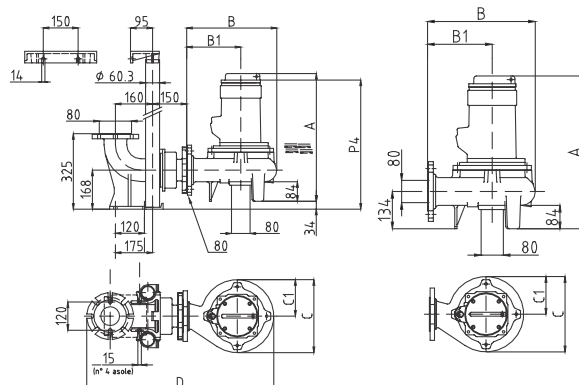
PERFORMANCE TABLE																											
No	Model - Type	P1 kW	P2 kW	Volt	µF	Amp	rpm	Delivery size (mm)	Max.Solid size (mm)	l/sec	Head in m																
											0	2	4	6	8	10	12	14	16	18							
1	GB-CV12-FMs	1.5	1.2	230	30	7	2850	80	70	0	7.2	14.4	21.6	28.8	36	43.2	50.4	57.6	64.8								
1	GB-CV12-FT	1.5	1.2	400		3.1	2850	80	70	5.1	4.9	4.8	4.5	4	3.3												
2	GB-CV26-FT	3.2	2.6	400		5.5	2850	80	70	5.1	4.9	4.8	4.5	4	3.3												
3	GB-CV40-FT	5	4	400		8.9	2850	80	70	13	11.8	10.8	9.7	8.4	7.5	6.3	5.4	4.5									
3	GB-CV40-FD *	5	4	400		8.9	2850	80	70	17.7	17.2	16.5	15.4	14.5	13.2	11.7	10.4	8.7	7.4								
4	GB-CV55-FD *	7	5.5	400		12	2850	80	70	17.7	17.2	16.5	15.4	14.5	13.2	11.7	10.4	8.7	7.4								
										19	18.2	17.3	16.2	15.2	14.5	13.2	11.7	10.5	9.3								

* Inbuilt with Top

DIMENSION & WEIGHT DATA											
No	Model - Type	A max	B	B1	C	C1	D	P4	Auto coupling V	Weight (kg)	
1	GB-CV12-FMs	490	280	180	212	106	690	546	80N	25	
1	GB-CV12-FT	490	280	180	212	106	690	546	80N	25	
2	GB-CV26-FT	540	280	180	212	108	690	596	80N	62	
3	GB-CV40-FT	560	385	230	310	155	795	616	80N	68	
3	GB-CV40-FD	560	385	230	310	155	795	616	80N	68	
4	GB-CV55-FD	610	385	230	310	155	795	666	80N	70	

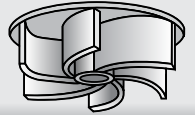
IDENTIFICATION CODE & POWER CABLE SIZE										
No	Product Code	Model - Type	Power Cable		Control Cable	Auto coupling Model	Auto coupling Code	Base Frame Model	Pump outlet flange code	Pump Outlet flange type (inch)
			No. of Core	Size in Sq.mm						
1	642922	GB-CV12-FMs	4	1.5	NA	V80N	121059	NA	NA	ROUND FLANGE 3"
1	642941	GB-CV12-FT	4	1.5	NA	V80N	121059	NA	NA	ROUND FLANGE 3"
2	642949	GB-CV26-FT	4	1.5	NA	V80N	121059	NA	NA	ROUND FLANGE 3"
3	642956	GB-CV40-FT	4	1.5	NA	V80N	121059	NA	NA	ROUND FLANGE 3"
3	642966	GB-CV40-FD	12	1.5	NA	V80N	121059	NA	NA	ROUND FLANGE 3"
4	642895	GB-CV55-FD	12	1.5	NA	V80N	121059	NA	NA	ROUND FLANGE 3"

DIMENSION DRAWING

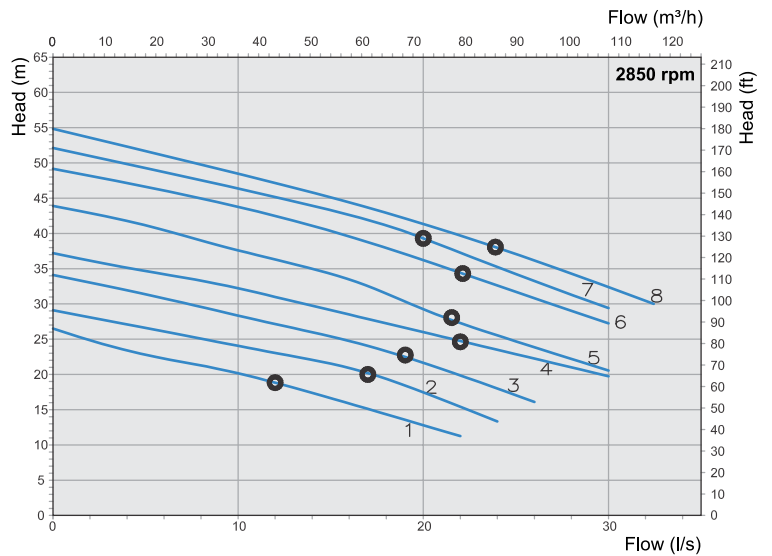


Performance curve tolerances are as per HI : 14.6 / ISO : 9906, Grade - 2B.
 In view of continuous developments, the information / descriptions / specifications / illustrations are subject to change without notice.

GB Series



PERFORMANCE CURVES



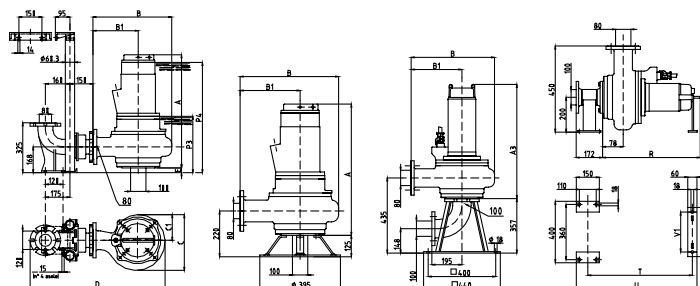
PERFORMANCE TABLE																	
No	Model - Type	P1 kW	P2 kW	Volt	Amp	rpm	Delivery size (mm)	Max.Solid size (mm)	l/sec m³/h	Head in m							
										0	4	8	12	16	20	24	28
1	GB-CV75-FD *	9.3	7.5	400	16	2850	80	70	24	22	19	16	13	9.8			
2	GB -CV95-FD *#	10.8	9.5	400	19	2850	80	70	29.1	27.1	25.1	23	20.9	17.5			
3	GB-CV110-FD *#	13.5	11	400	22	2850	80	70	34.1	32	29.6	27.1	24.9	21.8	18		
4	GB-CV190-FD-R *#	21.8	19	400	37	2850	80	70	37.2	35	33.5	31	28.5	26	23.5	21	
5	GB-CV190-FD *#	22	19	400	37	2850	80	70	43.9	41.8	39	36.3	33.5	29.3	25.5	22.2	
6	GB-CV220-FD *#	25	22	400	40	2850	80	70	49.2	47	45	42.3	39.5	36.1	32.5	28.9	
7	GB-CV240-FD *#	27.5	24	400	46	2850	80	70	52.1	49.7	47.4	45.1	42.6	39.2	35.1	31.2	
8	GB-CV280-FD *#	28	28	400	49	2850	80	70	54.1	52.2	49.7	47.1	44.2	41.2	37.8	34.1	

* Inbuilt with TOP # Moisture sensor available

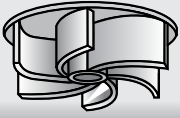
DIMENSION & WEIGHT DATA																			
No	Model - Type	A max	A3 max	B	B1	C	C1	D	E	P2	P4	R max	T max	U max	V1	V2	Auto coupling V	Weight (kg)	
1	GB-CV75-FD	643	775	365	220	312	147	780	71	420	700	740	738	843	260	320	80N	118	
2	GB-CV95-FD	690	775	365	220	312	147	780	71	420	745	740	738	843	260	320	80N	147	
3	GB-CV110-FD	690	775	365	220	312	147	780	71	420	745	740	738	843	260	320	80N	148	
4	GB-CV190-FD-R	765	945	365	220	312	147	780	71	420	820	1050	1075	1180	310	370	80N	170	
5	GB-CV190-FD	945	945	410	252	316	158	820	90	450	960	1050	1075	1180	310	370	80N	176	
6	GB-CV220-FD	945	945	410	252	316	158	820	90	450	960	1050	1075	1180	310	370	80N	180	
7	GB-CV240-FD	1035	1035	410	252	316	158	820	90	450	1050	1050	1075	1180	310	370	80N	206	
8	GB-CV280-FD	1035	1035	410	252	316	158	820	90	450	1050	1050	1075	1180	310	370	80N	208	

IDENTIFICATION CODE & POWER CABLE SIZE										
No	Product Code	Model - Type	Power Cable		Control Cable	Auto coupling Model	Auto coupling Code	Base Frame Model	Base Frame Code	Pump Outlet flange type (inch)
			No. of Core	Size in Sq.mm						
1	642899	GB-CV75-FD	12	1.5	NA	V80N	121059	NA	NA	ROUND FLANGE 3"
2	642901	GB-CV95-FD	7	2.5	NA	V80N	121059	NA	NA	ROUND FLANGE 3"
3	642902	GB-CV110-FD	7	2.5	NA	V80N	121059	NA	NA	ROUND FLANGE 3"
4	-	GB-CV190-FD-R	4	4	NA	V80N	121059	180 MS	117184	ROUND FLANGE 3"
5	642903	GB-CV190-FD	4	4	NA	V80N	121059	180 MS	117184	ROUND FLANGE 3"
6	642905	GB-CV220-FD	4	6	NA	V80N	121059	180 MS	117184	ROUND FLANGE 3"
7	642906	GB-CV240-FD	4	6	NA	V80N	121059	180 MS	117184	ROUND FLANGE 3"
8	-	GB-CV280-FD	4	6	NA	V80N	121059	180 MS	117184	ROUND FLANGE 3"

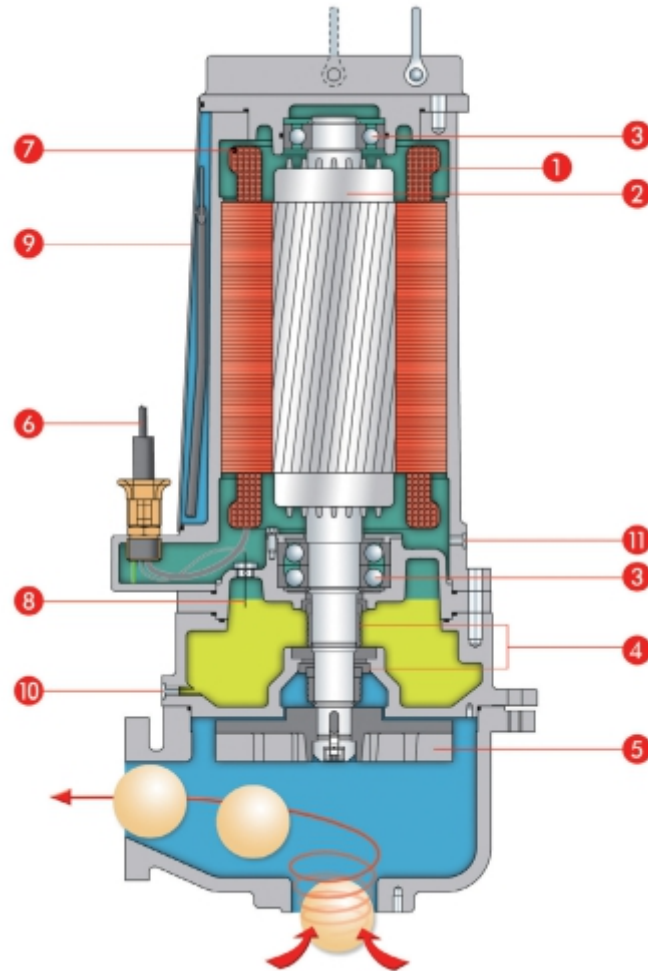
DIMENSION DRAWING



Performance curve tolerances are as per HI : 14.6 / ISO : 9906, Grade - 2B.
In view of continuous developments, the information / descriptions / specifications / illustrations are subject to change without notice.



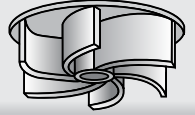
Cross Section Drawing



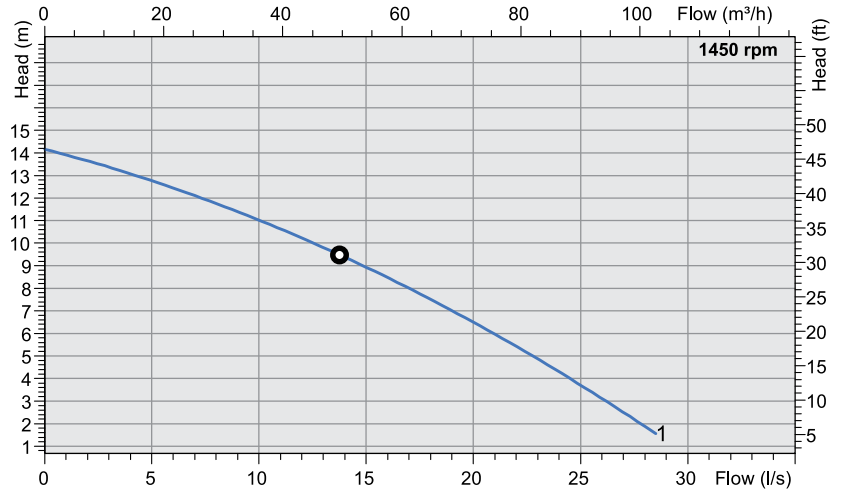
- | | |
|--|---|
| 1. Fully submersible pressure tight electric motor | 7. Thermal over load protector |
| 2. Rotor Shaft | 8. Oil chamber probe (optional) |
| 3. Bearings | 9. Cooling jacket |
| 4. Mechanical seal | 10. Oil inspection plug |
| 5. Vortex Impeller | 11. Air plug hole for the motor water tightness control |
| 6. Cable | |

* The above diagram is only for illustration purpose the actual construction of the product may vary according to the model.

GB Series



PERFORMANCE CURVES



PERFORMANCE TABLE

No	Model - Type	P1 kW	P2 kW	Volt	Amp	rpm	Delivery size (mm)	Max.Solid size (mm)	I/sec	0	4	8	12	16	20	24	28
									m³/h	0	14.4	28.8	43.2	57.6	72	86.4	100.8
1	GB-CV35-ET-4*	4.5	3.5	400	8	1450	67	55	H m	14	12.8	11.6	10.2	8.6	6.6	4.4	1.7

* Inbuilt with Top

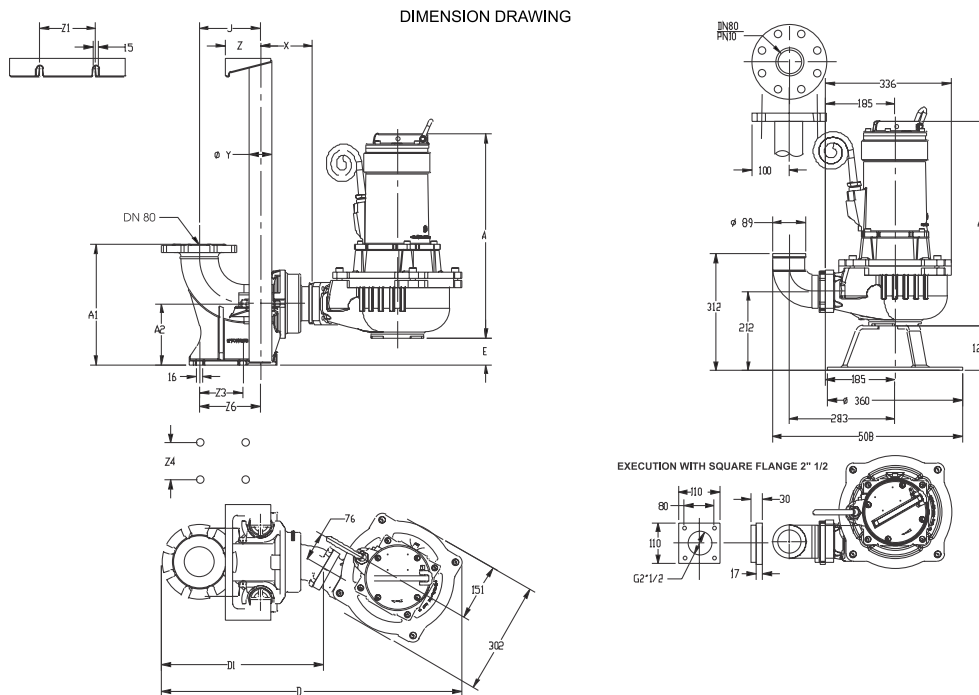
DIMENSION & WEIGHT DATA

No	Model - Type	A max	A1	A2	D	D1	E	j	X	y	Z	Z1	Z3	Z4	Z6	Auto coupling V	Weight (kg)
1	GB-CV35-ET-4	547	300	160	732	361	68	130	139	42.4	84	100	90	100	137	65	78

IDENTIFICATION CODE & POWER CABLE SIZE

No	Product Code	Model - Type	Power Cable		Control Cable	Auto coupling Model	Auto coupling Code	Base Frame Model	Base Frame Code	Pump outlet flange code	Pump Outlet flange type (inch)
			No. of Core	Size in Sq.mm							
1	651627	GB-CV35-ET-4	7	1.5	NA	V80	121060	112 MS	117181	117842	SQUARE FLANGE 2 1/2"

DIMENSION DRAWING

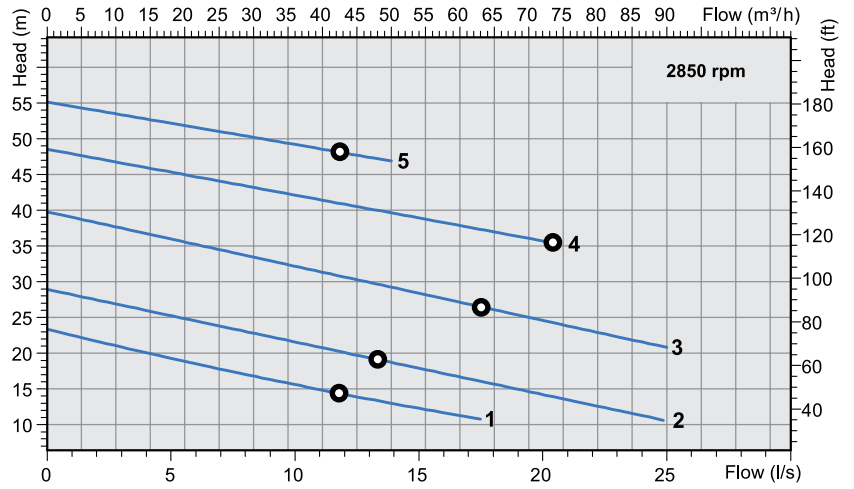


Performance curve tolerances are as per HI : 14.6 / ISO : 9906, Grade - 2B.

In view of continuous developments, the information / descriptions / specifications / illustrations are subject to change without notice.



PERFORMANCE CURVES



PERFORMANCE TABLE

No	Model - Type	P1 kW	P2 kW	Volt	Amp	rpm	Delivery size (mm)	Max. Solid size (mm)	l/sec m³/h	Head in mm							
										0	4	8	12	16	20	24	28
1	GB-CV55-ED *#	6.8	5.5	400	12	2850	67	57	23.3	20	17	14	11.8				
2	GB-CV75-ED *#	9.5	7.5	400	16	2850	67	57	28.6	26.1	23.1	20	17	14			
3	GB-CV110-ED *#	12.5	11	400	22	2850	67	57	38.9	36.7	35	32	28.1	24.3	20.6		
4	GB-CV150-ED *#	16.5	15	400	30	2850	67	57	48	46	43.1	41	38.1	35.7			
5	GB-CV185-ED *#	20.8	18.5	400	32	2850	67	57	54.9	53	50	48					

* Inbuilt with TOP / # Moisture sensor available

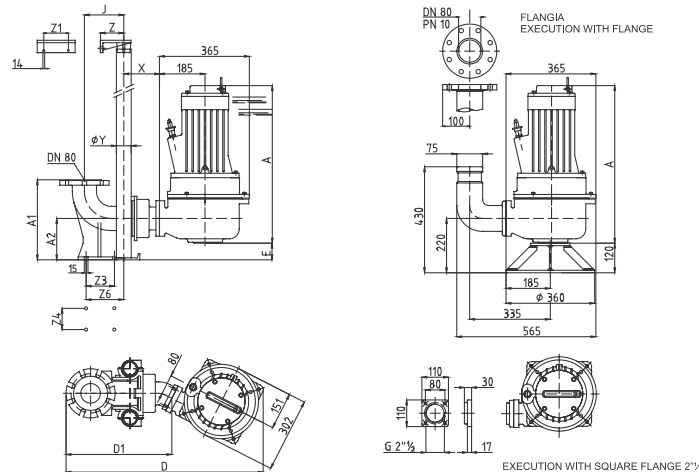
DIMENSION & WEIGHT DATA

No	Model - Type	A max	Auto coupling V	Weight (kg)
1	GB-CV55-ED	596	80	84
2	GB-CV75-ED	612	80	121
3	GB-CV110-ED	658	80	131
4	GB-CV150-ED	734	80	157
5	GB-CV185-ED	734	80	161

IDENTIFICATION CODE & POWER CABLE SIZE

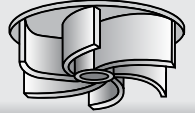
No	Product Code	Model - Type	Power Cable		Control Cable		Auto coupling Model	Auto coupling Code	Base Frame Model	Base Frame Code	Pump outlet flange code	Pump Outlet flange type (inch)
			No. of Core	Size in Sq.mm	No. of Core	Size in Sq.mm						
1	651625	GB-CV55-ED	12	1.5	NA	NA	V80	121060	112 MS	117181	117842	SQUARE FLANGE 2½"
2	651626	GB-CV75-ED	12	1.5	NA	NA	V80	121060	112 MS	117181	117842	SQUARE FLANGE 2½"
3	651628	GB-CV110-ED	7	2.5	NA	NA	V80	121060	112 MS	117181	117842	SQUARE FLANGE 2½"
4	651630	GB-CV150-ED	4	4	4	1.5	V80	121060	112 MS	117181	117842	SQUARE FLANGE 2½"
5	651631	GB-CV185-ED	4	4	4	1.5	V80	121060	112 MS	117181	117842	SQUARE FLANGE 2½"

DIMENSION DRAWING

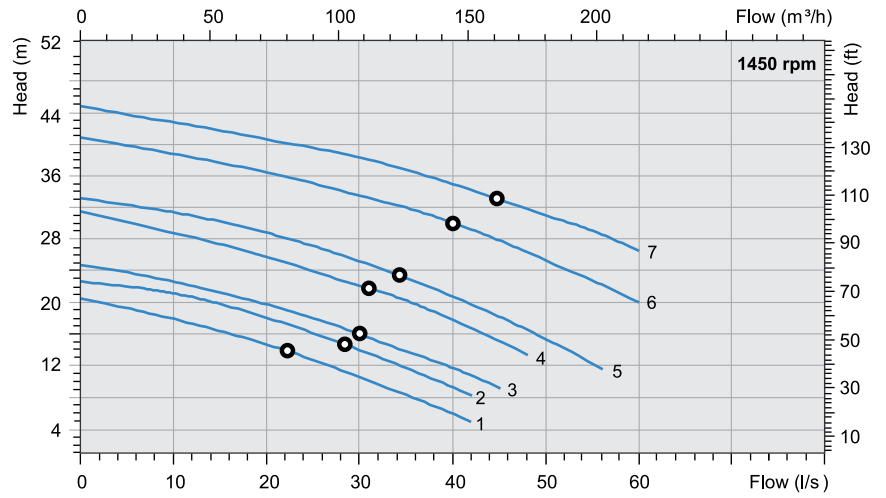


Performance curve tolerances are as per HI : 14.6 / ISO : 9906, Grade - 2B.
 In view of continuous developments, the information / descriptions / specifications / illustrations are subject to change without notice.

GB Series



PERFORMANCE CURVES



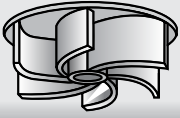
PERFORMANCE TABLE

No	Model - Type	P1 kW	P2 kW	Volt	Amp	rpm	Delivery size (mm)	Max.Solid size (mm)	l/sec m³/h	Head in m																
										0	5	15	25	30	35	40	45	50	55	60	65	70	75			
1	GB-CV75-GD-4 *#	9	7.5	400	16	1450	100	90	20.5	19.4	16.5	12.6	10.5	8.4	6											
2	GB-CV110-GD-4 *#	12.5	11	400	22	1450	100	90	22.5	22	19.6	16	13.7	11.4	9.2											
3	GB-CV140-GD-4 *#	17	14	400	30	1450	100	90	24.5	23.5	21.2	18	15.7	13.6	11.5	9.1										
4	GB-CV170-GD-4 *#	21.5	17	400	35	1450	100	90	31.5	30.1	27.3	24.1	22.4	20	17.6	15.1										
5	GB-CV220-GD-4 *#	24.5	22	400	45	1450	100	90	33	32.2	30	27.4	25.5	23.2	20.7	18	15	12								
8	GB-CV260-GD-4 *#	30	26	400	50	1450	100	90	38.5	37.7	35	32.1	30.2	28.2	25.8	23.2	20.2	16.5	12.5							
6	GB-CV340-GD-4 *#	39	34	400	68	1450	100	90	41.5	39.9	37.9	35.5	33.6	31.9	30	27.7	25.2	23	20							
7	GB-CV480-GD-4 *#	54.5	48	400	88	1450	100	90	44.5	43.6	41.8	39.6	38.2	36.7	34.9	33	31	29	26.8							

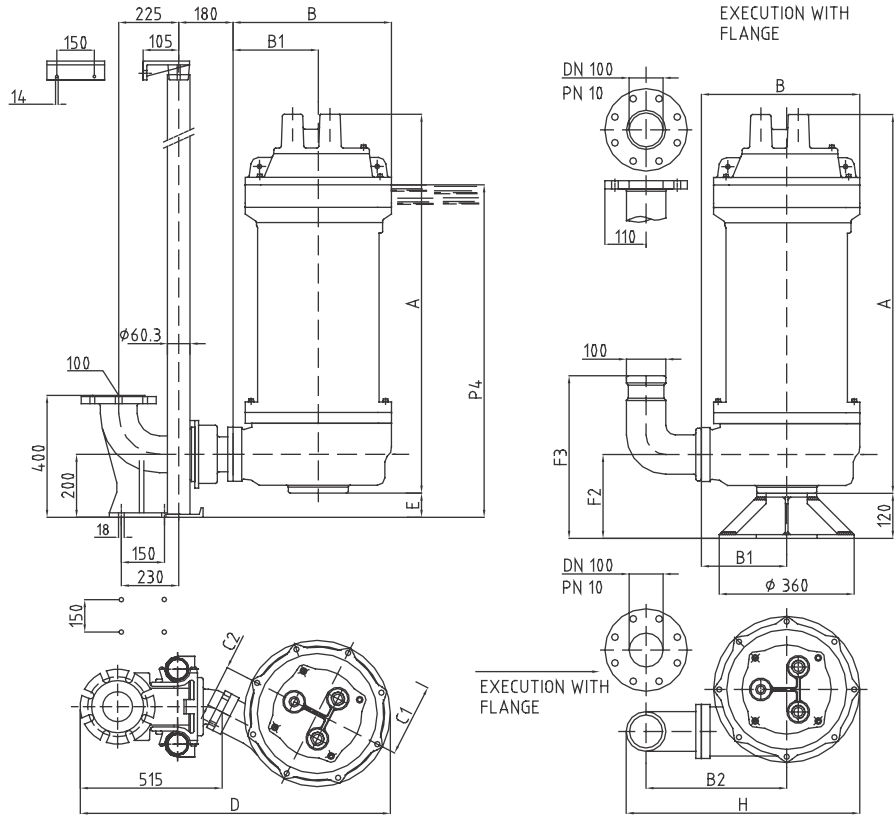
* Inbuilt with TOP / # Moisture sensor available.

IDENTIFICATION CODE & POWER CABLE SIZE

No	Product Code	Model - Type	Power Cable		Control Cable		Auto coupling Model	Auto coupling Code	Base Frame Model	Base Frame Code	Pump outlet flange code	Pump Outlet flange type (inch)
			No. of Core	Size in Sq.mm	No. of Core	Size in Sq.mm						
1	651633	GB-CV75-GD-4	12	1.5	NA	1.5	V100	121062	138 MS	117184	249087	SQUARE FLANGE 4"
2	651634	GB-CV110-GD-4	7	2.5	4	1.5	V100	121062	138 MS	117184	249087	SQUARE FLANGE 4"
3	651635	GB-CV140-GD-4	7	4	4	1.5	V100	121062	138 MS	117184	249087	SQUARE FLANGE 4"
4	651638	GB-CV170-GD-4	4	4	4	1.5	V100	121062	180 MS	117184	249087	SQUARE FLANGE 4"
5	605824	GB-CV220-GD-4	4	6	4	1.5	V100	121062	180 MS	117184	249087	SQUARE FLANGE 4"
8	604582	GB-CV260-GD-4	4	6	4	1.5	V100	121062	180 MS	117184	249087	SQUARE FLANGE 4"
6	604586	GB-CV340-GD-4	4	10	4	1.5	V100	121062	180 MS	117184	249087	SQUARE FLANGE 4"
7	604591	GB-CV480-GD-4	4	10	4	1.5	V100	121062	180 MS	117184	249087	SQUARE FLANGE 4"



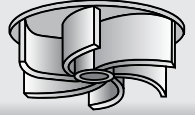
DIMENSION DRAWINGS



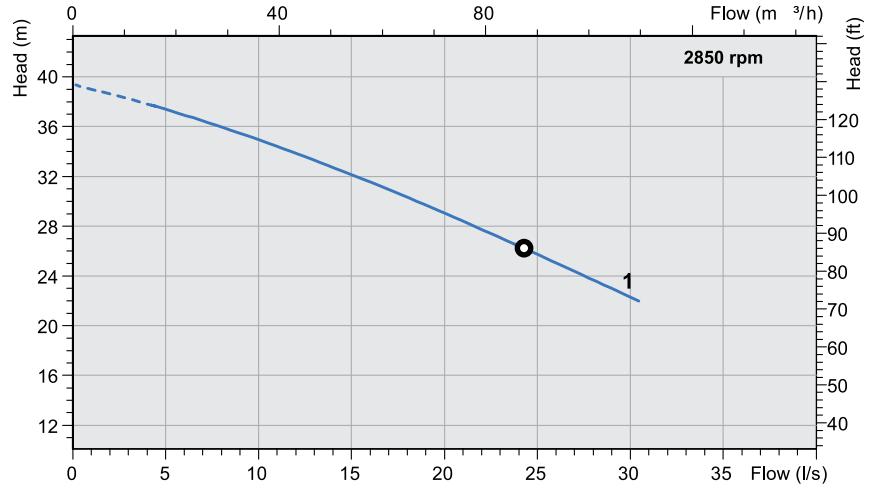
DIMENSION & WEIGHT DATA																
No	Model - Type	A max	B	B1	B2	C	C1	C2	D	E	F3	F2	H	P4	Auto coupling V	Weight (kg)
1	GB-CV75-GD-4	643	412	225	375	374	196	135	951	96	434	224	605	695	100	126
2	GB-CV110-GD-4	689	412	225	375	374	196	135	951	96	434	218	605	735	100	144
3	GB-CV140-GD-4	795	541	290	440	502	251	191	1103	92	425	230	750	837	100	184
4	GB-CV170-GD-4	795	541	290	440	502	251	191	1103	92	425	230	750	837	100	200
5	GB-CV220-GD-4	828	541	290	440	502	251	191	1103	92	425	230	750	864	100	230
8	GB-CV260-GD-4	828	541	290	440	502	251	191	1103	92	425	215	750	864	100	251
6	GB-CV340-GD-4	1172	541	290	440	502	251	191	1103	92	425	230	750	1078	100	442
7	GB-CV480-GD-4	1201	598	290	440	502	251	191	1111	92	425	230	750	1176	100	490

Performance curve tolerances are as per HI : 14.6 / ISO : 9906, Grade - 2B.
 In view of continuous developments, the information / descriptions / specifications / illustrations are subject to change without notice.

GB Series



PERFORMANCE CURVES



PERFORMANCE TABLE

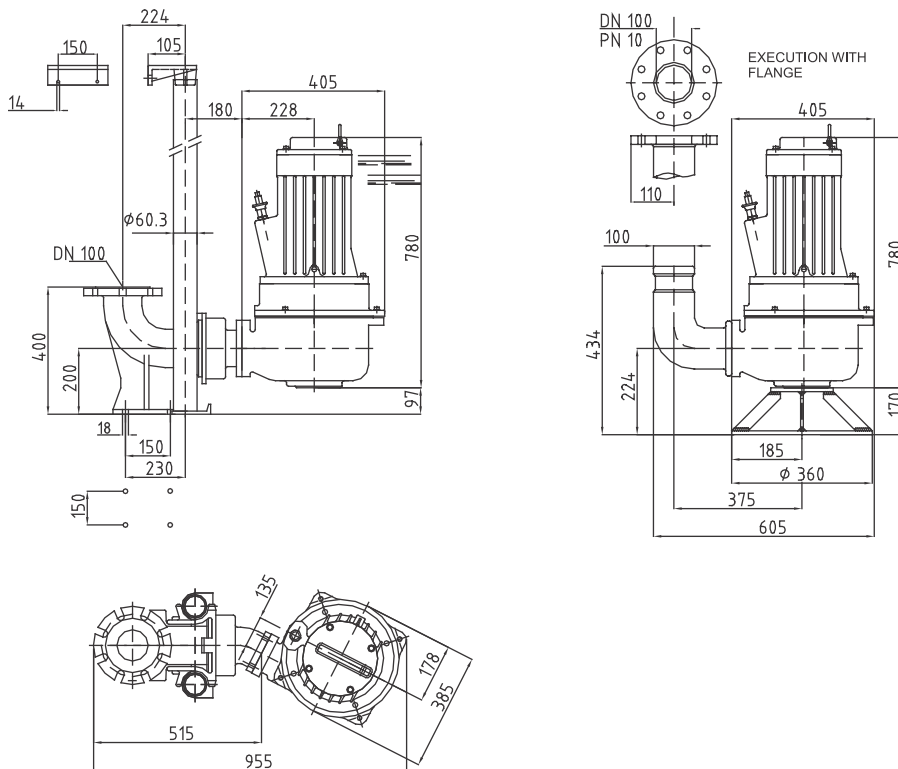
No	Model - Type	P1 kW	P2 kW	Volt	Amp	rpm	Delivery size (mm)	Max.Solid size (mm)	Auto coupling V	Weight (kg)	Flow (m³/h)							
											0	5	15	25	30	35	40	
1	GB-CV180-GD *#	18.5	18	400	33	2850	100	90	100	215	m	39.5	37.2	32.2	25.9	22		

* Inbuilt with TOP / # Moisture sensor available.

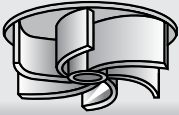
IDENTIFICATION CODE & POWER CABLE SIZE

No	Product Code	Model - Type	Power Cable		Control Cable		Auto coupling Model	Auto coupling Code	Base Frame Model	Base Frame Code	Pump outlet flange code	Pump Outlet flange type (inch)
			No. of Core	Size in Sq.mm	No. of Core	Size in Sq.mm						
1	651639	GB-CV180-GD	4	4	4	1.8	V100	121062	138 MS	117183	249087	SQUARE FLANGE 4"

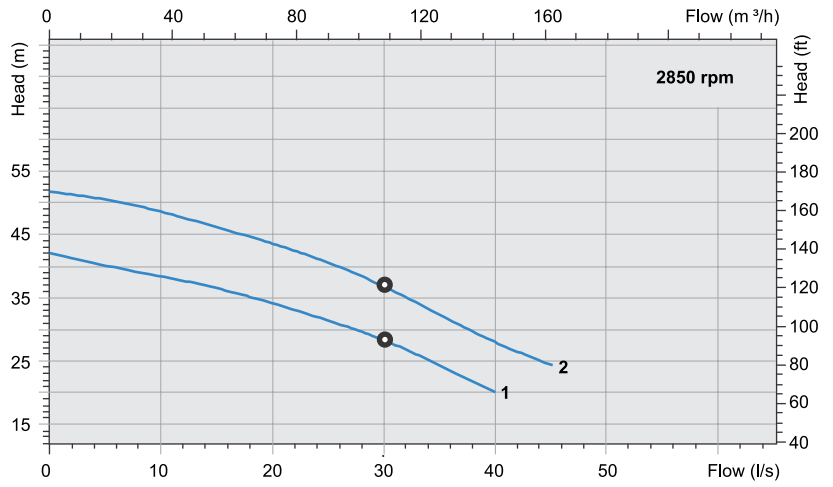
DIMENSION DRAWING



Performance curve tolerances are as per HI : 14.6 / ISO : 9906, Grade - 2B.
In view of continuous developments, the information / descriptions / specifications / illustrations are subject to change without notice.



PERFORMANCE CURVES



PERFORMANCE TABLE

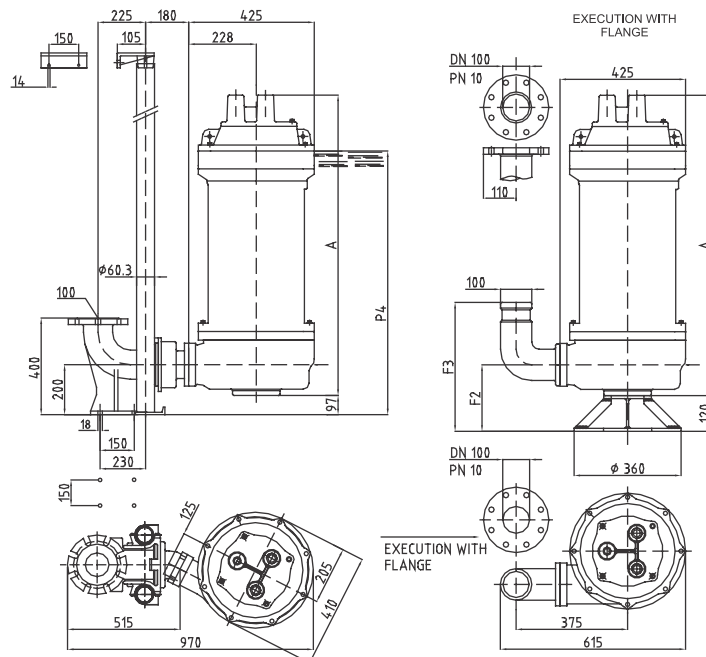
No	Model - Type	P1 kW	P2 kW	Volt	Amp	rpm	Delivery size (mm)	Max. Solid size (mm)	I/sec	0	5	15	25	30	35	40	45	50	55	
									m³/h	0	18	54	90	108	126	144	162	180	198	
1	GB-CV250-GD *#	29	25	400	44	2850	100	90	Head in m	42	40.5	37	31	28	24	20				
2	GB-CV370-GD *#	40	37	400	67	2850	100	90	Head in m	51.5	50.3	46	40.3	36.7	32.2	27.9	24.7			

* Inbuilt with TOP / # Moisture sensor available.

IDENTIFICATION CODE & POWER CABLE SIZE

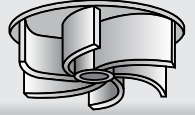
No	Product Code	Model - Type	Power Cable		Control Cable		Auto coupling Model	Auto coupling Code	Base Frame Model	Base Frame Code	Pump outlet flange code	Pump Outlet flange type (inch)
			No. of Core	Size in Sq.mm	No. of Core	Size in Sq.mm						
1	651640	GB-CV250-GD	4	6	4	1.5	V100	121062	138 MS	117183	249087	SQUARE FLANGE 4"
2	606224	GB-CV370-GD	4	10	4	1.5	V100	121062	138 MS	117183	249087	SQUARE FLANGE 4"

DIMENSION DRAWING

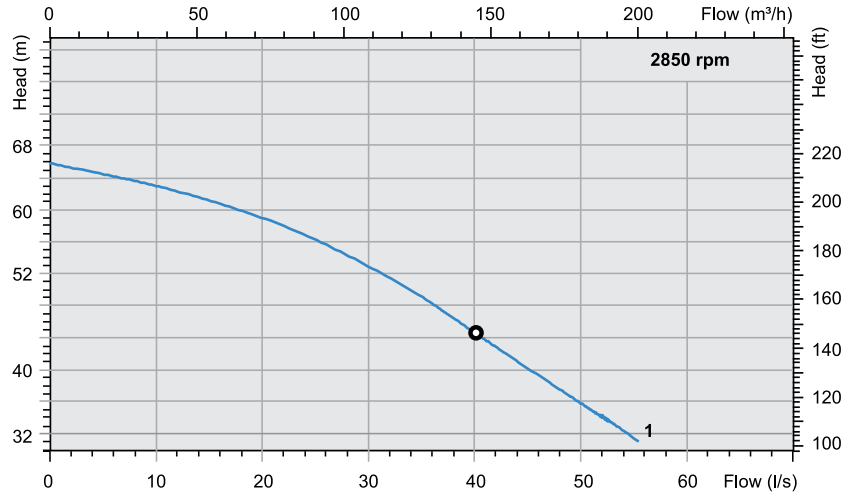


Performance curve tolerances are as per HI : 14.6 / ISO : 9906, Grade - 2B. In view of continuous developments, the information / descriptions / specifications / illustrations are subject to change without notice.

GB Series



PERFORMANCE CURVES



PERFORMANCE TABLE

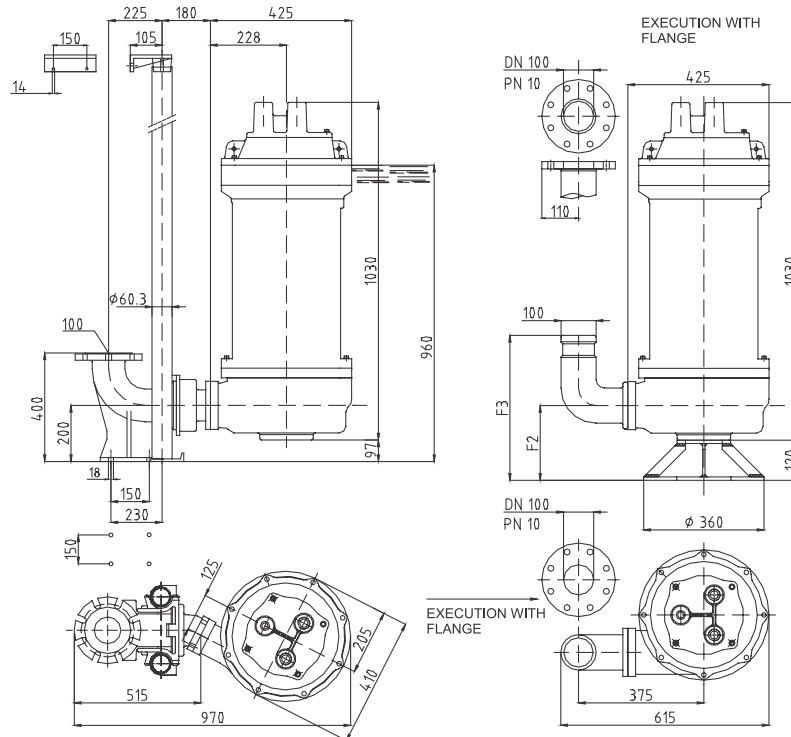
No	Model - Type	P1 kW	P2 kW	VoIt	Amp	rpm	Delivery size (mm)	Max.Solid size (mm)	l/sec m³/h	0	5	15	25	30	35	40	45	50	55	60
										H m	18	54	90	108	126	144	162	180	198	216
1	GB-CV500-GD *#	55	50	400	89	2850	100	80	H m	65.5	64.5	61.1	56.3	52.9	49	44.7	40.5	36	31.4	

* Inbuilt with TOP / # Moisture sensor available

IDENTIFICATION CODE & POWER CABLE SIZE

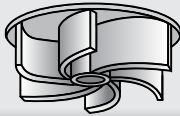
No	Product Code	Model - Type	Power Cable		Control Cable		Auto coupling Model	Auto coupling Code	Base Frame Model	Base Frame Code	Pump outlet flange code	Pump Outlet flange type (inch)
			No. of Core	Size in Sq.mm	No. of Core	Size in Sq.mm						
1	605453	GB-CV500-GD	4	10	4	1.5	V100	121062	138 MS	117183	249087	SQUARE FLANGE 4"

DIMENSION DRAWING



Performance curve tolerances are as per HI : 14.6 / ISO : 9906, Grade - 2B.

In view of continuous developments, the information / descriptions / specifications / illustrations are subject to change without notice.



GA Series

GA series pumps are equipped with vortex impeller. The benefit of a vortex impeller over a channel impeller is the minimised risk of clogging. A Vortex impeller is also a better choice when the pumped liquid has a high content of sand. GA Series pumps have large free passage upto 3" in diameter suitable for lifting of sewage liquids, civil waste and industrial waste water containing solids and viscous materials, heavy muds or fermented sludge.

Operating parameters

Max Flow	upto 115.2 m ³ /hr
Max Head	upto 13.4 m
Impeller Type	Vortex - Staright Vane
Outlet Size	50 - 100 mm
Max Solid Size	upto 80 mm
Maximum Liquid Temperature	upto 40°C
Service	S1 Duty
No. of Starts / Per Hour	20
Max. immersion depth	20m
pH range	6 to 12
Liquid Viscosity	1 mm ² /s
Liquid Density	1kg/dm ³
Max. Noise level	≤ 70dB

Specifications

Power Range	1.3 to 5.5kW
Power Supply	380-415V - Three Phase, 50Hz, AC.
Ingress Protection	IP68
Motor	Dry Type Induction motor
Speed	1450 rpm
Class of Insulation	H
Moisture sensor	# Available
Thermal Overload Protector	* Available
Starting Method	Three Phase - DOL & SD
Shaft Seal	Double Mechanical seal
Mechanical Seal Face Combination	Motor Side : Graphite / Alumina Pump Side : Silicon Carbide / Silicon Carbide
Bearing Type	Shielded prelubricated bearing
Cable Type	HO7RNF
Standard Cable Length	10m

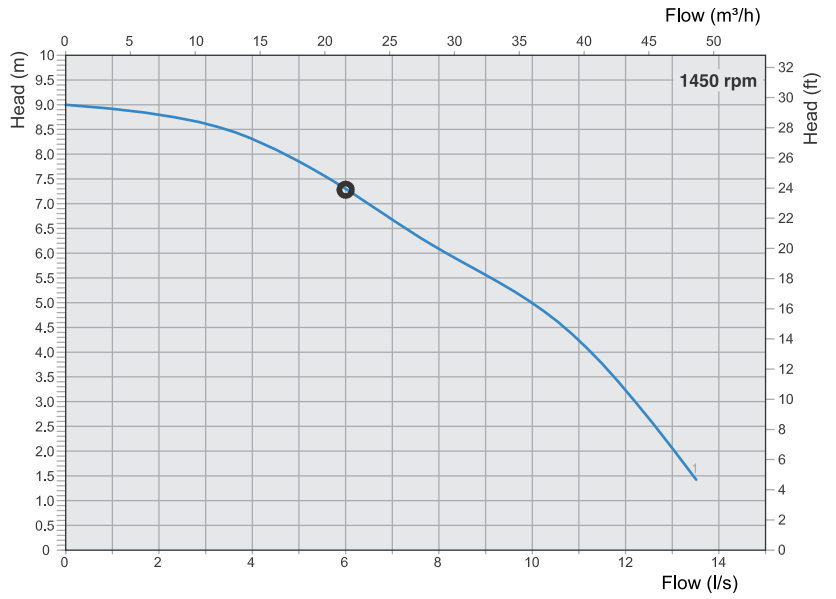
Material of Construction

Casing	Cast iron EN-GJL-260
Impeller	Cast iron EN-GJL-260
Motor Housing	Cast iron EN-GJL-260
Shaft	Stainless Steel X30 Cr13 (AISI 420)
Fasteners	Stainless Steel A2 (AISI 304)

GA Series



PERFORMANCE CURVES



PERFORMANCE TABLE

No	Model - Type	P1 kW	P2 kW	Volt	Amp	rpm	Delivery size (mm)	Max.Solid size (mm)	Head in m							
									0	2	4	6	8	10	12	14
1	GA-CV15-DT-4	1.85	1.5	400	4	1450	50	40	9	8.8	8.3	7.3	6.1	5	3.2	

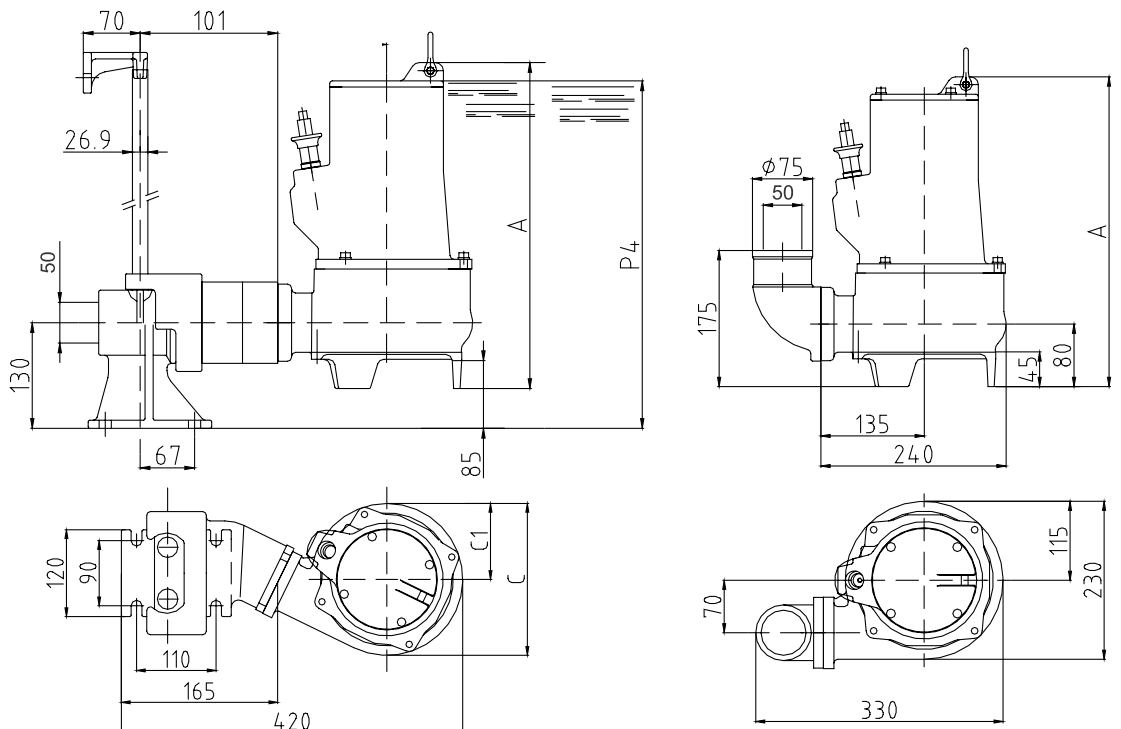
DIMENSION & WEIGHT DATA

No	Model - Type	A max	P3	P4	Auto coupling V	Weight (kg)
1	GA-CV15-DT-4	440	225	475	50	35

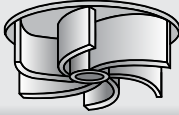
IDENTIFICATION CODE & POWER CABLE SIZE

No	Model - Type	Power Cable		Control Cable	Auto coupling Model	Auto coupling Code	Base Frame Model	Pump outlet flange code	Pump Outlet flange type (inch)
		No. of Core	Size in Sq.mm						
1	GA-CV15-DT-4	4	1.5	NA	V50	146296	NA	205774	SQUARE FLANGE 2"

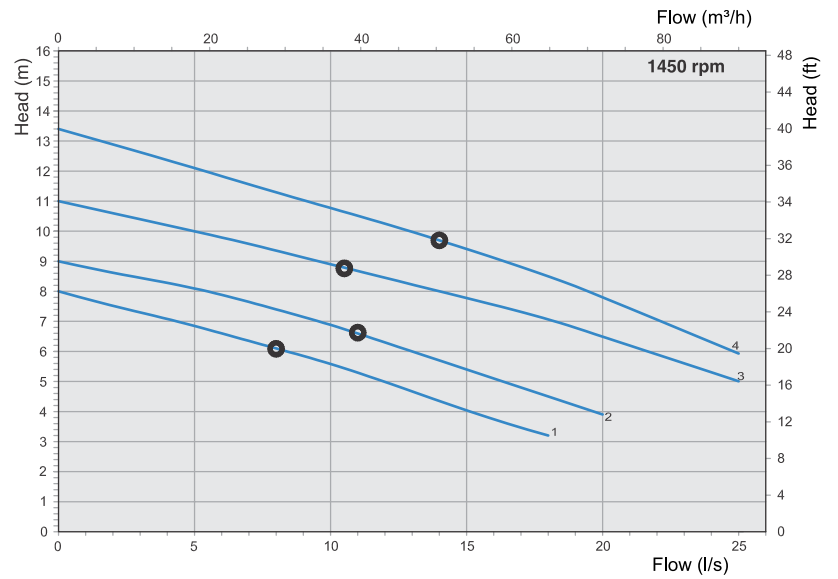
DIMENSION DRAWING



* In view of continuous developments, the information / descriptions / specifications / illustrations are subject to change without notice.



PERFORMANCE CURVES



PERFORMANCE TABLE

No	Model - Type	P1 kW	P2 kW	Volt	Amp	rpm	Delivery size (mm)	Max.Solid size (mm)	l/sec m³/h	Head (m)																	
										0	2	4	6	8	10	12	14	16	18	20	22	24	26	28			
1	GA-CV15-ET-4 *	1.9	1.5	400	4	1450	65	55	8	7.5	7.1	6.6	6.1	5.6	5	4.2	3.7	3.2									
2	GA-CV22-ET-4	2.9	2.2	400	4.8	1450	65	55	9	8.6	8.3	7.9	7.4	6.9	6.3	5.7	5.1	4.7	3.9								
3	GA-CV35-ET-4	4	3.5	400	8	1450	65	55	11	10.6	10.2	9.8	9.4	8.9	8.4	8	7.6	7	6.5	5.8	5.3						
4	GA-CV42-ET-4	5	4.2	400	9.2	1450	65	55	13.4	12.9	12.4	11.8	11.3	10.8	10.2	9.8	9.4	8.6	7.8	7	6.4						

* Inbuilt with Top

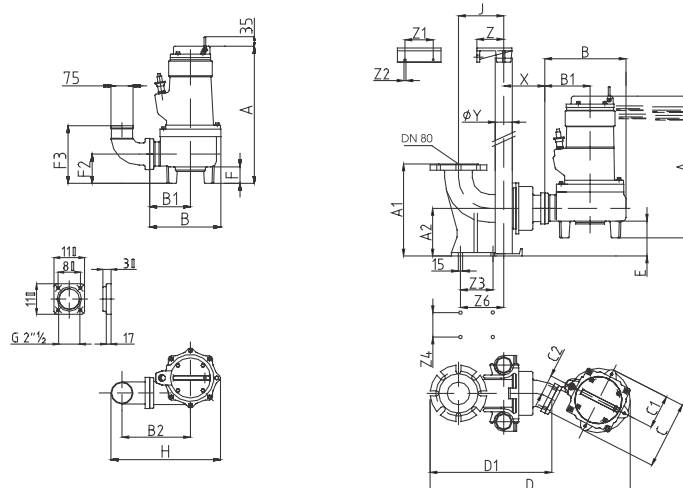
DIMENSION & WEIGHT DATA

No	Model - Type	A max	A1	A2	B	B1	B2	C	C1	C2	D	D1	E	F	F2	F3	H	J	X	Y	Z	Z1	Z2	Z3	Z4	Z6	DN3	P3	P4	Auto coupling V	Weight (kg)
1	GA-CV15-ET-4	475	300	160	250	154	255	220	110	55	635	356	56	59	105	205	400	134	130	42.4	84	100	12	50	96	132	65	330	515	65	39
2	GA-CV22-ET-4	540	325	168	320	165	265	300	150	106	780	430	45	80	125	225	460	160	145	60.3	95	150	14	120	120	175	80	300	570	80	52
3	GA-CV35-ET-4	540	325	168	320	165	265	300	150	106	780	430	45	80	125	225	460	160	145	60.3	95	150	14	120	120	175	80	300	570	80	53
4	GA-CV42-ET-4	540	325	168	320	165	265	300	150	106	780	430	45	80	125	225	460	160	145	60.3	95	150	14	120	120	175	80	300	570	80	55

IDENTIFICATION CODE & POWER CABLE SIZE

No	Product Code	Model - Type	Power Cable		Control Cable	Auto coupling Model	Auto coupling Code	Base Frame Model	Pump outlet flange code	Pump Outlet flange type (inch)
			No. of Core	Size in Sq.mm						
1	642979	GA-CV15-ET-4	7	1.5	NA	V65	121058	NA	117842	SQUARE FLANGE 2½"
2	642982	GA-CV22-ET-4	4	1.5	NA	V80	121060	NA	117842	SQUARE FLANGE 2½"
3	642985	GA-CV35-ET-4	4	1.5	NA	V80	121060	NA	117842	SQUARE FLANGE 2½"
4	642988	GA-CV42-ET-4	4	1.5	NA	V80	121060	NA	117842	SQUARE FLANGE 2½"

DIMENSION DRAWING

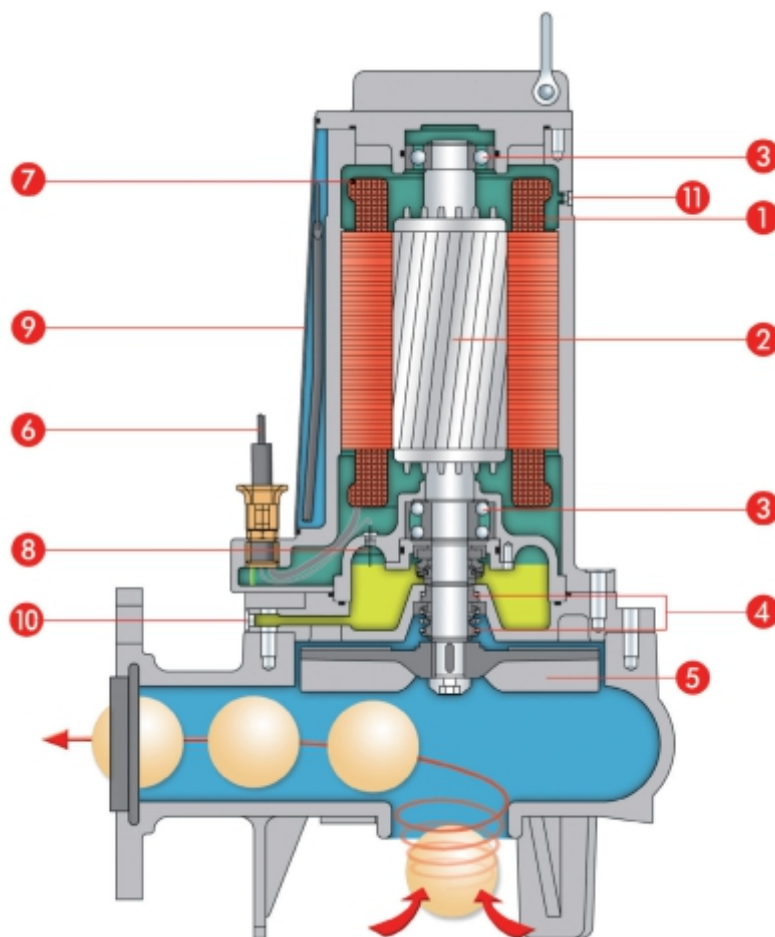


* In view of continuous developments, the information / descriptions / specifications / illustrations are subject to change without notice.



GA Series

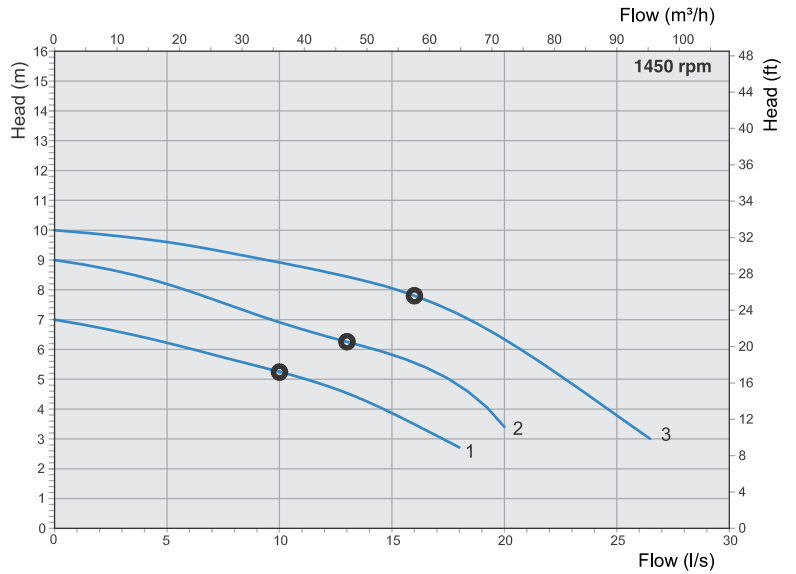
Cross Section Drawing



- | | |
|---|---|
| 1. Fully submersible pressure tight electric motor
Insulation class H. Protection degree IP 68 | 6. Cable |
| 2. Rotor Shaft | 7. Thermal over load protection |
| 3. Bearings | 8. Oil chamber probe (optional) |
| 4. Mechanical seal | 9. Cooling jacket |
| 5. Vortex Impeller | 10. Oil inspection plug |
| | 11. Air Plug Hole for the motor water tightness control |



PERFORMANCE CURVES



PERFORMANCE TABLE

No	Model - Type	P1 kW	P2 kW	Volt	Amp	rpm	Delivery size (mm)	Max. Solid size (mm)	l/sec m³/h	Head in m							
										0	4	8	12	16	20	24	28
1	GA-CV13-FT-4 *	1.5	1.3	400	4.2	1450	80	68	7	6.4	5.6	4.8	3.5				
2	GA-CV22-FT-4 *	2.9	2.2	400	5	1450	80	68	9	8.4	7.4	6.4	5.5	3.4			
3	GA-CV30-FT-4 *	3.8	3	400	7	1450	80	68	10	9.7	9.2	8.6	7.8	6.3	4.4		

● Inbuilt with Top

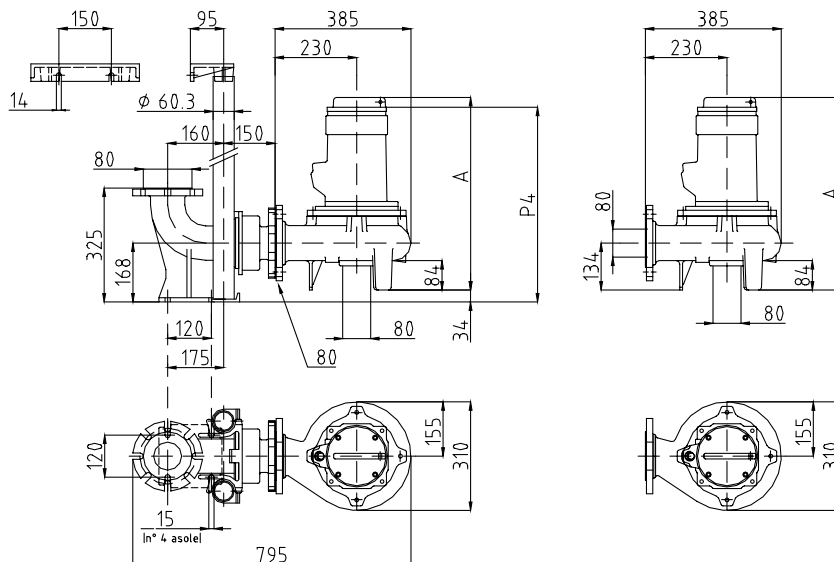
DIMENSION & WEIGHT DATA

No	Model - Type	A max	P4	Auto coupling V	Weight (kg)
1	GA-CV13-FT-4	540	560	80N	62
2	GA-CV22-FT-4	540	560	80N	62
3	GA-CV30-FT-4	560	580	80N	68

IDENTIFICATION CODE & POWER CABLE SIZE

No	Product Code	Model - Type	Power Cable		Control Cable	Auto coupling Model	Auto coupling Code	Base Frame Model	Pump Outlet flange type (inch)
			No. of Core	Size in Sq.mm					
1	642977	GA-CV13-FT-4	7	1.5	NA	V80N	121059	NA	ROUND FLANGE 3"
2	642981	GA-CV22-FT-4	7	1.5	NA	V80N	121059	NA	ROUND FLANGE 3"
3	642983	GA-CV30-FT-4	7	1.5	NA	V80N	121059	NA	ROUND FLANGE 3"

DIMENSION DRAWING



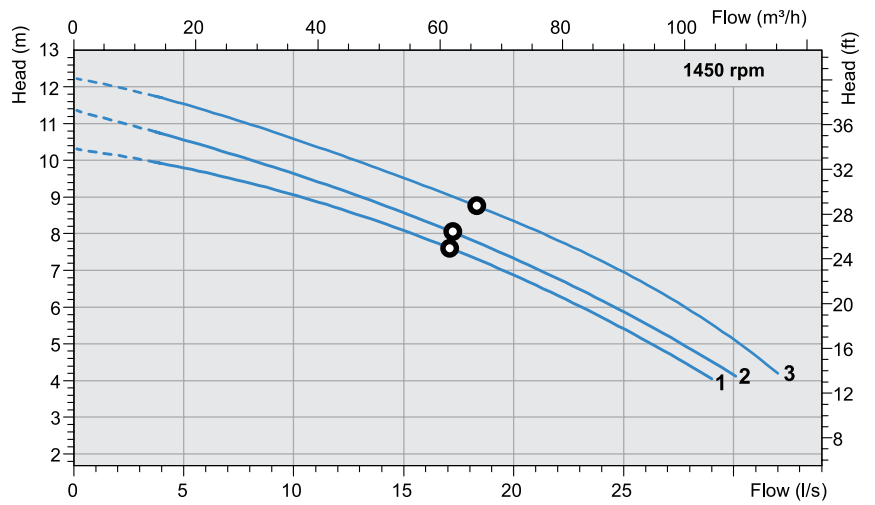
* In view of continuous developments, the information / descriptions / specifications / illustrations are subject to change without notice.



GA Series



PERFORMANCE CURVES



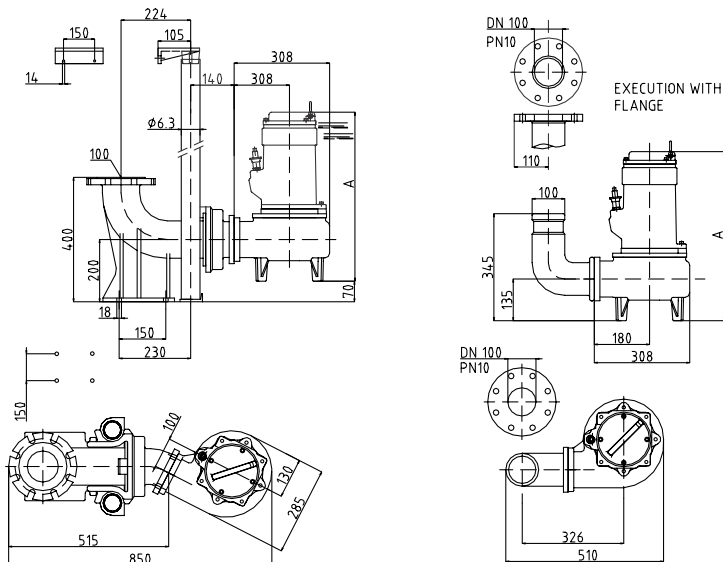
PERFORMANCE TABLE																		
No	Model - Type	P1 kW	P2 kW	Volt	Amp	rpm	Delivery size (mm)	Max.Solid size (mm)	l/sec m³/h	Head in m								
										0	4	8	12	16	20	24	28	32
1	GA-CV35-GT-4 *	4	3.5	400	8	1450	100	80	10.3	9.8	9.4	8.8	8	6.9	5.8	4.4		
2	GA-CV42-GT-4 *	4.4	4.2	400	9.2	1450	100	80	11.4	10.7	10	9.3	8.4	7.3	6.4	4.9		
3	GA-CV55-GD-4 *	6	5.5	400	11	1450	100	80	12.3	11.7	11	10.2	9.4	8.4	7.2	6	4.2	

* Inbuilt with TOP

DIMENSION & WEIGHT DATA				
No	Model - Type	A max	Auto coupling V	Weight (kg)
1	GA-CV35-GT-4	610	100	55
2	GA-CV42-GT-4	610	100	55
3	GA-CV55-GD-4	580	100	59

IDENTIFICATION CODE & POWER CABLE SIZE										
No	Product Code	Model - Type	Power Cable		Control Cable	Auto coupling Model	Auto coupling Code	Base Frame Model	Pump outlet flange code	Pump Outlet flange type (inch)
			No. of Core	Size in Sq.mm						
1	642986	GA-CV35-GT-4	7	1.5	NA	V100	121062	NA	249087	SQUARE FLANGE 4"
2	642989	GA-CV42-GT-4	7	1.5	NA	V100	121062	NA	249087	SQUARE FLANGE 4"
3	642970	GA-CV55-GD-4	12	1.5	NA	V100	121062	NA	249087	SQUARE FLANGE 4"

DIMENSION DRAWING



* In view of continuous developments, the information / descriptions / specifications / illustrations are subject to change without notice.



GT Series

GT Series pumps are designed to handle raw sewage, wastewater and heavy-duty industrial applications where the pump is subject to clogging from oversized materials. Cutter pumps are generally offered with vortex impeller. A cutting device and hard iron serrated casing cover provided in the pump to cut the incoming materials into pieces, permitting smooth passage through the pump into the discharge piping. A Cutter pump's job is also to reduce the size of the solids. Cutter pumps are typically used to address clogs and rags.

Operating parameters

Max Flow	upto 30.6m ³ /hr
Max Head	upto 60m
Impeller Type	Vortex with Cutting Device
Outlet Size	40 & 50 mm
Max Solid Size	upto 7mm
Maximum Liquid Temperature	upto 40°C
Service	S1 Duty
No. of Starts / Per Hour	20
Max. immersion depth	20m
pH range	6 to 12
Liquid Viscosity	1 mm ² /s
Liquid Density	1kg/dm ³
Max. Noise level	≤ 70dB

Specifications

Power Range	0.75 to 9.5kW
Power Supply	230V - Single phase & 380-415V - Three Phase, 50Hz, AC.
Ingress Protection	IP68
Motor	Dry Type Induction motor
Speed	2850 rpm
Class of Insulation	H
Moisture sensor	# Available
Starting Method	Single Phase - CSR, Three Phase - DOL & SD
Shaft Seal	Double Mechanical seal
Mechanical Seal Face Combination	Motor Side : Graphite / Alumina Pump Side : Silicon Carbide / Silicon Carbide
Bearing Type	Shielded prelubricated bearing
Cable Type	HO7RNF
Standard Cable Length	10m

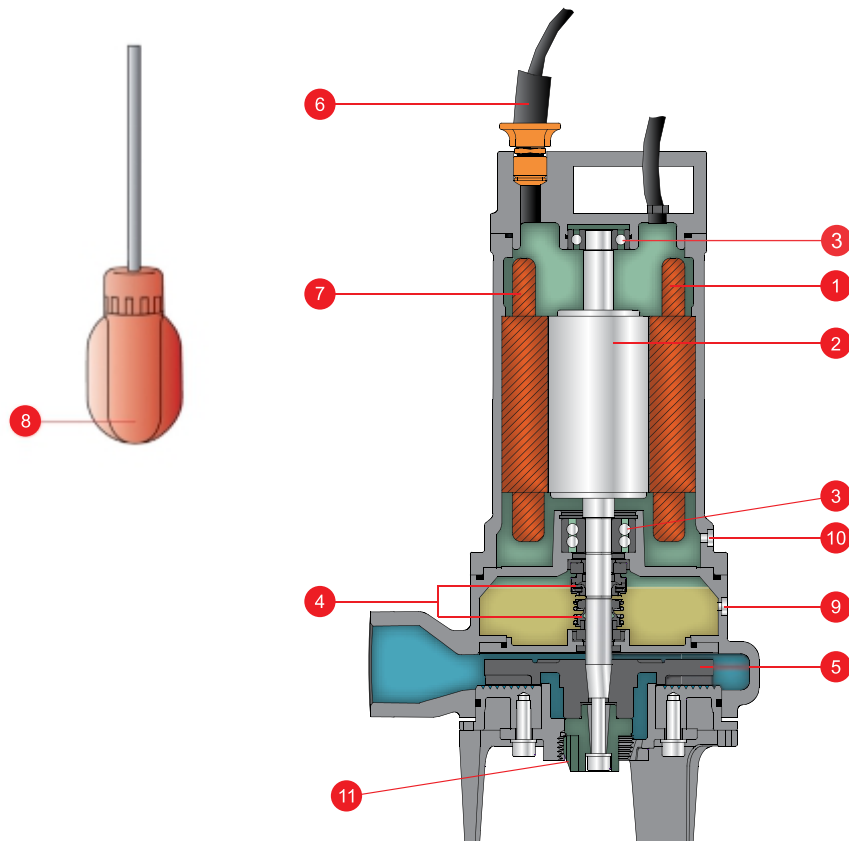
Material of Construction

Casing	Cast iron EN-GJL-260
Impeller / Cutter	Cast iron EN-GJL-260 / SS 440 C
Motor Housing	Cast iron EN-GJL-260
Shaft	Stainless Steel X30 Cr13 (AISI 420)
Fasteners	Stainless Steel A2 (AISI 304)



GT Series

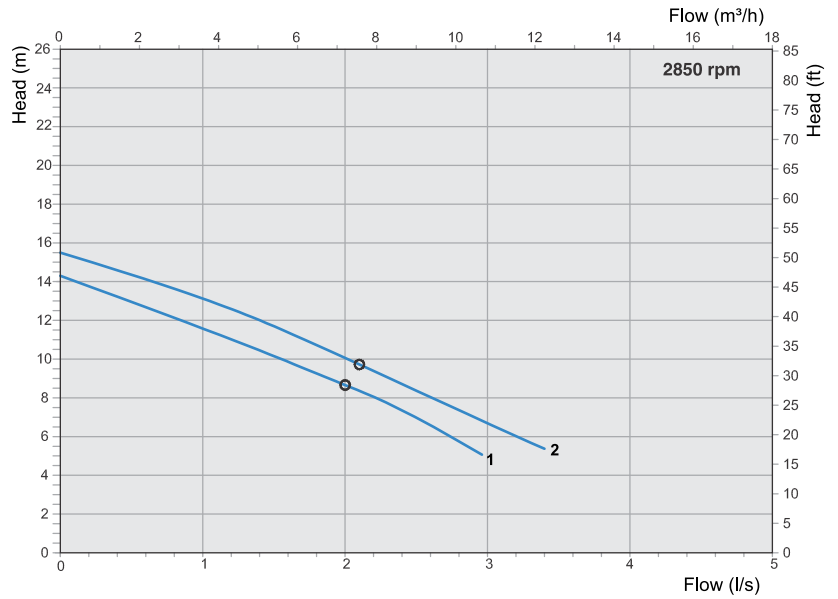
Cross Section Drawing



- | | |
|--|---|
| 1. Fully submersible pressure tight electric motor | 7. Thermal over load protector |
| 2. Rotor Shaft | 8. Float switch |
| 3. Bearings | 9. Oil inspection plug |
| 4. Mechanical seal | 10. Air plug hole for the motor water tightness control |
| 5. Vortex Impeller | 11. Cutting device |
| 6. Cable | |



PERFORMANCE CURVES



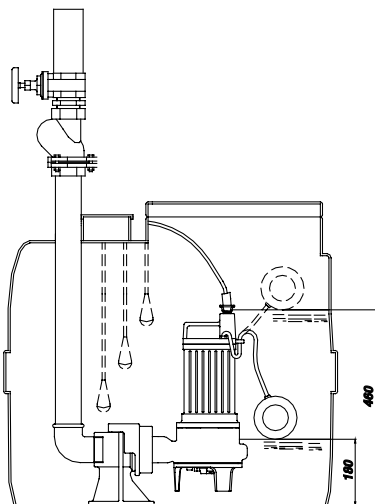
PERFORMANCE TABLE

No	Model - Type	P1 kW	P2 kW	Volt	µF	Amp	rpm	Delivery size (mm)	Max.Solid size (mm)	Auto coupling V	Weight (kg)	I/sec m³/h	0	1	2	3	4	4.5	5	
1	GT-CV07-CMs-A	0.9	0.75	230	22	5.5	2850	40	6	40N	24	Head in m	0	4	7	10.8	14.4	16.2	18	
1	GT-CV07-CT	0.9	0.75	400		2.7	2850	40	6	40N	24		14.3	11.5	8.6	4.8				
2	GT-CV11-CMs-A	1.3	1.1	230	30	7.5	2850	40	6	40N	25		15.5	13.1	10	6.6				
2	GT-CV11-CT-R	1.3	1.1	400		3.2	2850	40	6	40N	25		15.5	13.1	10	6.6				

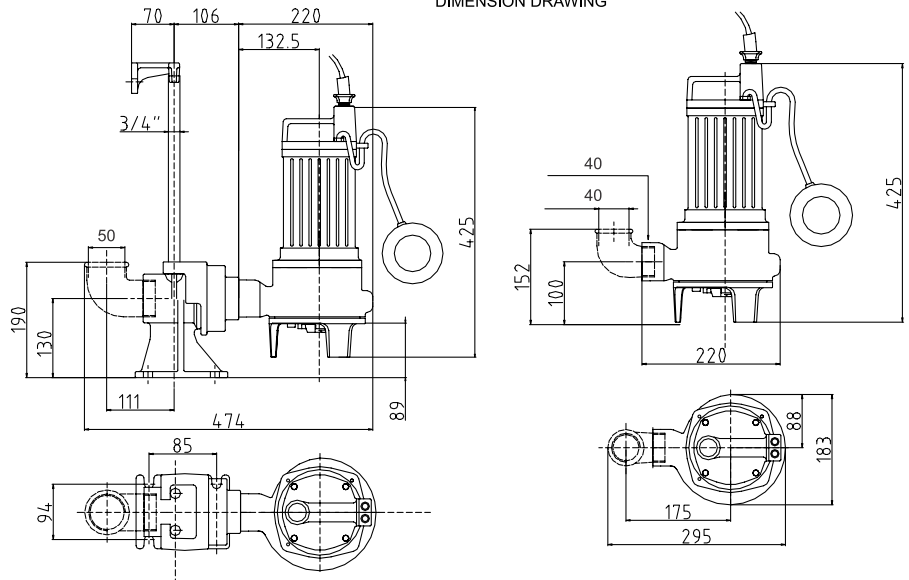
IDENTIFICATION CODE & POWER CABLE SIZE

No	Product Code	Model - Type	Power Cable		Control Cable	Auto coupling Model	Auto coupling Code	Base Frame Model	Pump Outlet flange type (inch)
			No. of Core	Size in Sq.mm					
1	642910	GT-CV07-CMs-A	4	1.5	NA	V40	146294	NA	THREADED G1½"
1	642927	GT-CV07-CT	4	1.5	NA	V40	146294	NA	THREADED G1½"
2	642915	GT-CV11-CMs-A	4	1.5	NA	V40	146294	NA	THREADED G1½"
2	642935	GT-CV11-CT-R	4	1.5	NA	V40	146294	NA	THREADED G1½"

INSTALLATION DRAWING



DIMENSION DRAWING

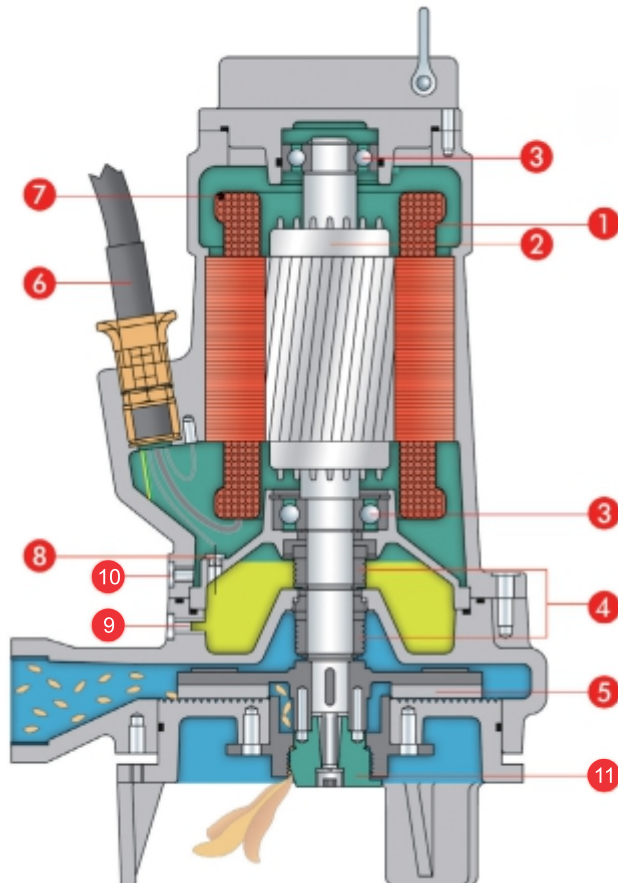


* In view of continuous developments, the information / descriptions / specifications / illustrations are subject to change without notice.



GT Series

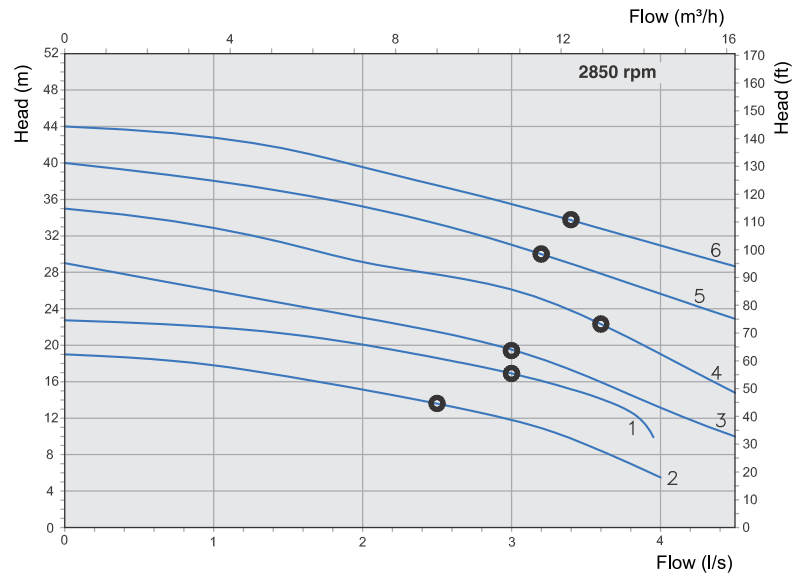
Cross Section Drawing



- | | |
|--|---|
| 1. Fully submersible pressure tight electric motor | 7. Thermal over load protector |
| 2. Rotor Shaft | 8. Oil chamber probe |
| 3. Bearing | 9. Oil inspection plug |
| 4. Mechanical seal | 10. Air plug hole for the motor water tightness control |
| 5. Vortex Impeller | 11. Cutting device |
| 6. Cable | |



PERFORMANCE CURVES



PERFORMANCE TABLE

No	Model - Type	P1 kW	P2 kW	Volt	µF	Amp	rpm	Delivery size (mm)	Max.Solid size (mm)	Head in m							
										l/sec	0	1	2	3	4	4.5	5
1	GT-CV16-CMs	2	1.6	230	40	10	2850	40	7	22.7	21.8	20	16.7	14.4	9.3		
2	GT-CV11-CT *	1.5	1.1	400		3	2850	40	7	19	17.8	15	12	6			
3	GT-CV18-CT *	2.2	1.85	400		4.5	2850	40	7	29	26	23	19.1	13	10		
4	GT-CV26-CT *	3.3	2.6	400		5.8	2850	40	7	35	33	29	26.1	18.9	15		
5	GT-CV36-CT *	4	3.6	400		8	2850	40	7	40	38	35.2	31	25.8	22.8		
6	GT-CV40-CT *	5	4	400		10	2850	40	7	44	42.8	39.5	35.5	31	28.8		

* Inbuilt with TOP

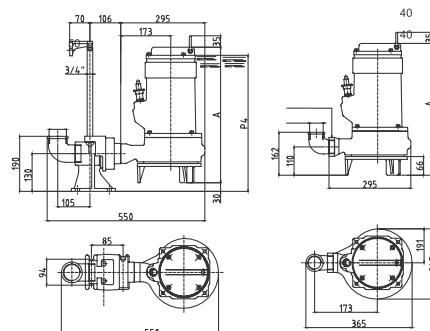
DIMENSION & WEIGHT DATA

No	Model - Type	A max	P4	Auto coupling V	Weight (kg)
1	GT-CV16-CMs	455	470	40N	44
2	GT-CV11-CT	420	435	40N	38
3	GT-CV18-CT	420	435	40N	39
4	GT-CV26-CT	455	470	40N	44
5	GT-CV36-CT	470	485	40N	54
6	GT-CV40-CT	470	485	40N	55

IDENTIFICATION CODE & POWER CABLE SIZE

No	Product Code	Model - Type	Power Cable		Control Cable	Auto coupling Model	Auto coupling Code	Base Frame Model	Pump Outlet flange type (inch)
			No. of Core	Size in Sq.mm					
1	642924	GT-CV16-CMs	4	1.5	NA	V40	146294	NA	THREADED G1½"
2	642934	GT-CV11-CT	7	1.5	NA	V40	146294	NA	THREADED G1½"
3	642944	GT-CV18-CT	7	1.5	NA	V40	146294	NA	THREADED G1½"
4	642951	GT-CV26-CT	7	1.5	NA	V40	146294	NA	THREADED G1½"
5	642962	GT-CV36-CT	7	1.5	NA	V40	146294	NA	THREADED G1½"
6	642963	GT-CV40-CT	7	1.5	NA	V40	146294	NA	THREADED G1½"

DIMENSION DRAWING



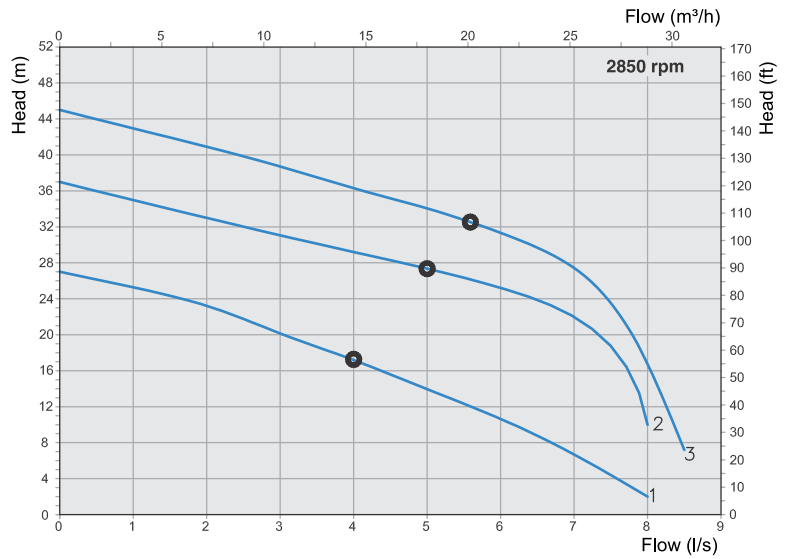
* In view of continuous developments, the information / descriptions / specifications / illustrations are subject to change without notice.



GT Series



PERFORMANCE CURVES



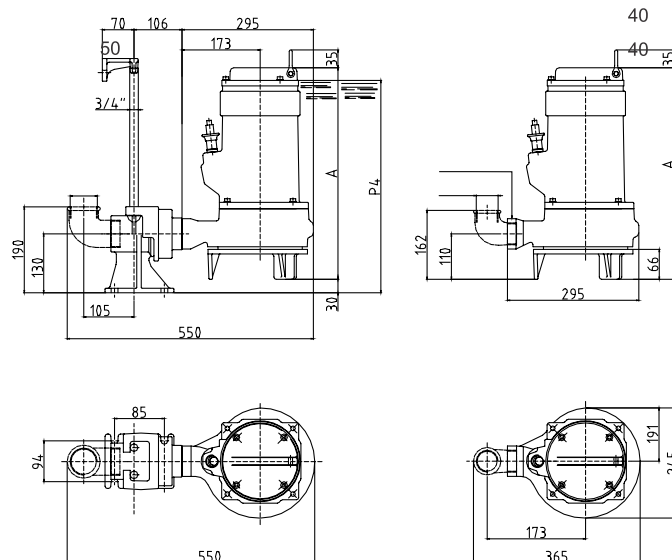
PERFORMANCE TABLE																										
No	Model - Type	P1 kW	P2 kW	Volt	Amp	rpm	Delivery size (mm)	Max.Solid size (mm)	l/sec	Flow (m³/h)																
										0	1	2	3	4	4.5	5	6	7	8	8.5						
1	GT-CV26-CT-HF *	3	2.6	400	5.5	2850	40	7	Head in m	27	25.3	23.6	20	17.3	15.8	13.9	10.8	6.9	2							
2	GT-CV40-CT-HF *	4.5	4	400	8	2850	40	7		37	35	33	31	29.2	28.1	27.5	25	21.5	10							
3	GT-CV55-CD-HF *	6	5.5	400	12	2850	40	7		45	42.8	41.1	39	36.2	34	34	31	27.2	16.5	6.7						

* Inbuilt with TOP

DIMENSION & WEIGHT DATA				
No	Model - Type	A max	Auto coupling V	Weight (kg)
1	GT-CV26-CT-HF	455	40N	39
2	GT-CV40-CT-HF	470	50N	54
3	GT-CV55-CD-HF	470	50N	55

IDENTIFICATION CODE & POWER CABLE SIZE									
No	Product Code	Model - Type	Power Cable		Control Cable	Auto coupling Model	Auto coupling Code	Base Frame Model	Pump Outlet flange type (inch)
			No. of Core	Size in Sq.mm					
1	642952	GT-CV26-CT-HF	7	1.5	NA	V40	146294	NA	THREADED G1½"
2	642964	GT-CV40-CT-HF	7	1.5	NA	V40	146294	NA	THREADED G1½"
3	642894	GT-CV55-CD-HF	12	1.5	NA	V40	146294	NA	THREADED G1½"

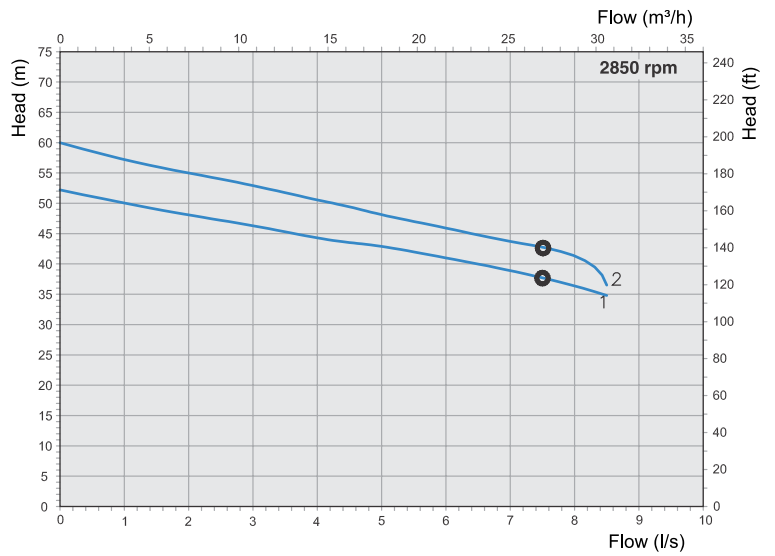
DIMENSION DRAWING



* In view of continuous developments, the information / descriptions / specifications / illustrations are subject to change without notice.



PERFORMANCE CURVES



PERFORMANCE TABLE

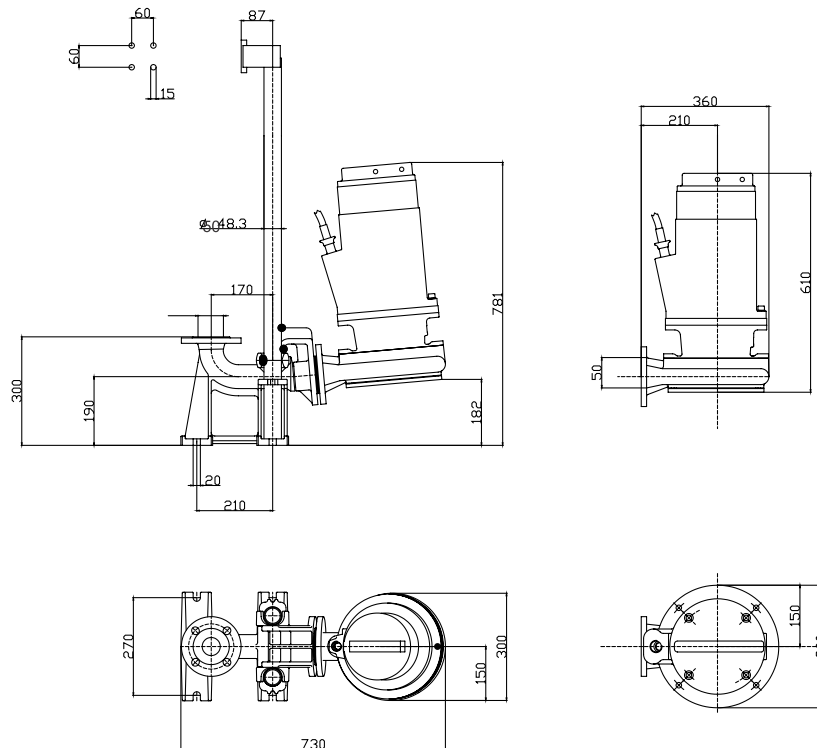
No	Model - Type	P1 kW	P2 kW	Volt	Amp	rpm	Delivery size (mm)	Max. Solid size (mm)	Auto coupling V	Weight (kg)	l/sec	Flow (m³/h)										
												0	1	2	3	4	4.5	5	6	7	8	8.5
1	GT-CV72-DD-HF *	8	7.2	400	15	2850	50	7	50K	110	Head in m	52.2	50	48	46.4	44.2	43.5	43	41	39	36.5	34.8
2	GT-CV95-DD-HF *#	11	9.5	400	19	2850	50	7	50K	110	Head in m	60	57	55	53	50.5	49.4	48	46	43.5	41.3	36.2

* Inbuilt with TOP / # Moisture sensor available

IDENTIFICATION CODE & POWER CABLE SIZE

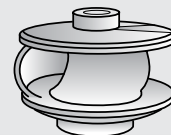
No	Product Code	Model - Type	Power Cable		Control Cable		Auto coupling Model	Auto coupling Code	Base Frame Model	Base Frame Code	Pump Outlet flange type (inch)
			No. of Core	Size in Sq.mm	No. of Core	Size in Sq.mm					
1	642898	GT-CV72-DD-HF	12	1.5	NA	NA	V50K	146298	MS-410-150-0340	148102	ROUND FLANGE 2"
2	642900	GT-CV95-DD-HF	7	2.5	4	1.5	V50K	146298	MS-410-150-0340	148102	ROUND FLANGE 2"

DIMENSION DRAWING



* In view of continuous developments, the information / descriptions / specifications / illustrations are subject to change without notice.

MC Series



MC Series

MC Series reliable and highly efficient pumps have been designed for pumping of municipal and industrial wastewater, raw water, storm water, sewage and sludges etc. A single channel closed impeller design that offers reliability against clogging and good resistance to wear. It can handle the solids upto 4" in diameter.

Operating parameters

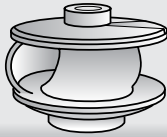
Max Flow	upto 504m ³ /hr
Max Head	upto 65.2m
Impeller Type	Mono Channel (Single Channel)
Outlet Size	80 - 150 mm
Max Solid Size	upto 90mm
Maximum Liquid Temperature	upto 40°C
Service	S1 Duty
No. of Starts / Per Hour	20
Max. immersion depth	20m
pH range	6 to 12
Liquid Viscosity	1 mm ² /s
Liquid Density	1kg/dm ³
Max. Noise level	≤ 70dB

Specifications

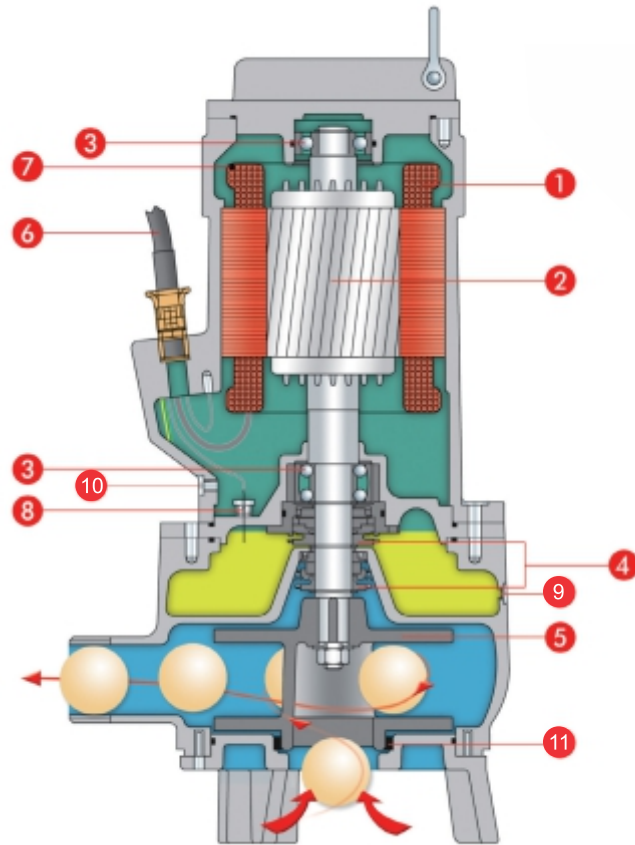
Power Range	1.85 to 34kW
Power Supply	380-415V - Three Phase, 50Hz, AC.
Ingress Protection	IP68
Motor	Dry Type Induction motor
Speed	1450 / 2850 rpm
Class of Insulation	H
Moisture sensor	# Available
Thermal Overload Protector	* Available
Starting Method	Three Phase - DOL & SD
Shaft Seal	Single / Double Mechanical seal
Mechanical Seal Face Combination	Motor Side : Graphite / Alumina Pump Side : Silicon Carbide / Silicon Carbide
Bearing Type	Shielded prelubricated bearing
Cable Type	HO7RNF
Standard Cable Length	10m

Material of Construction

Casing	Cast iron EN-GJL-260
Impeller	Cast iron EN-GJL-260
Motor Housing	Cast iron EN-GJL-260
Shaft	Stainless Steel X30 Cr13 (AISI 420)
Fasteners	Stainless Steel A2 (AISI 304)



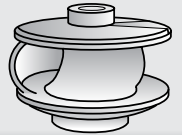
Cross Sectional Drawing



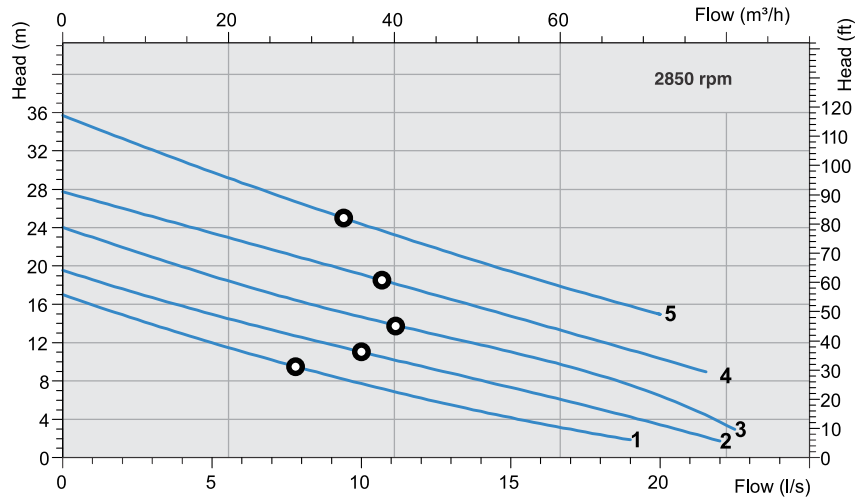
- | | |
|--|---|
| 1. Fully submersible pressure tight electric motor | 7. Thermal over load protector |
| 2. Rotor Shaft | 8. Oil chamber probe (optional) |
| 3. Bearing | 9. Oil inspection plug |
| 4. Mechanical seal | 10. Air plug hole for the motor water tightness control |
| 5. Single-channel impeller | 11. Bronze wear ring |
| 6. Cable | |

* The above diagram is only for illustration purpose the actual construction of the product may vary according to the model.

MC Series



PERFORMANCE CURVES



PERFORMANCE TABLE

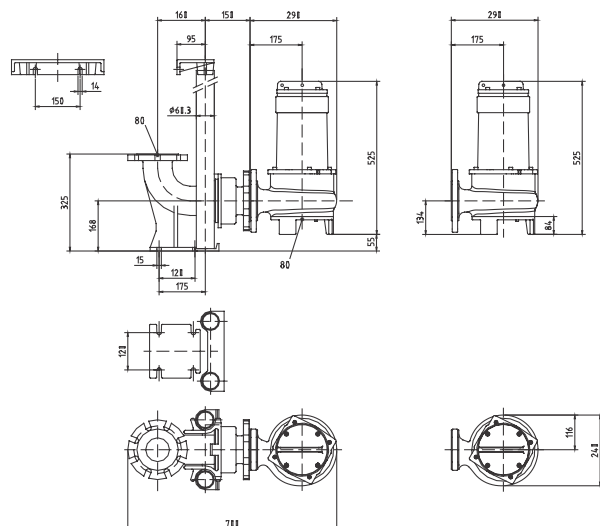
No	Model - Type	P1 kW	P2 kW	Volt	Amp	rpm	Delivery size (mm)	Max. Solid size (mm)	l/sec m³/h	Head in m								
										0	3	6	9	12	15	18	21	22
1	MC-CC18-FT *#	2.2	1.85	400	4	2850	80	50	0	10.8	22	32	43.2	54	64.8	75.6	79.2	
2	MC-CC22-FT *#	2.6	2.2	400	5.2	2850	80	50	17	14	11	8.4	6.3	4.3	2.4			
3	MC-CC30-FT *	3.7	3	400	6.8	2850	80	50	19.5	16.7	14.2	11.7	9.5	7.3	5.2	2.6	1.7	
4	MC-CC40-FT *	5	4	400	8.6	2850	80	50	24	20.8	18	15.4	13.2	11.1	8.6	5.1	3.6	
5	MC-CC55-FD *#	6.2	5.5	400	10	2850	80	50	27.7	25.3	22.5	20	17.3	14.9	12.1	9		
									36	31.9	28.3	25.5	22.5	19.6	17			

* Inbuilt with TOP / # Moisture sensor available

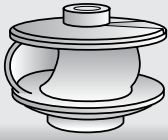
IDENTIFICATION CODE & POWER CABLE SIZE

No	Product Code	Model - Type	Power Cable		Control Cable	Auto coupling Model	Auto coupling Code	Base Frame Model	Pump Outlet flange type (inch)
			No. of Core	Size in Sq.mm					
1	651675	MC-CC18-FT	7	1.5	NA	V80N	121059	NA	SEMI CIRCLE FLANGE 3"
2	651650	MC-CC22-FT	7	1.5	NA	V80N	121059	NA	SEMI CIRCLE FLANGE 3"
3	651651	MC-CC30-FT	7	1.5	NA	V80N	121059	NA	SEMI CIRCLE FLANGE 3"
4	651652	MC-CC40-FT	7	1.5	NA	V80N	121059	NA	SEMI CIRCLE FLANGE 3"
5	651676	MC-CC55-FD	12	1.5	NA	V80N	121059	NA	SEMI CIRCLE FLANGE 3"

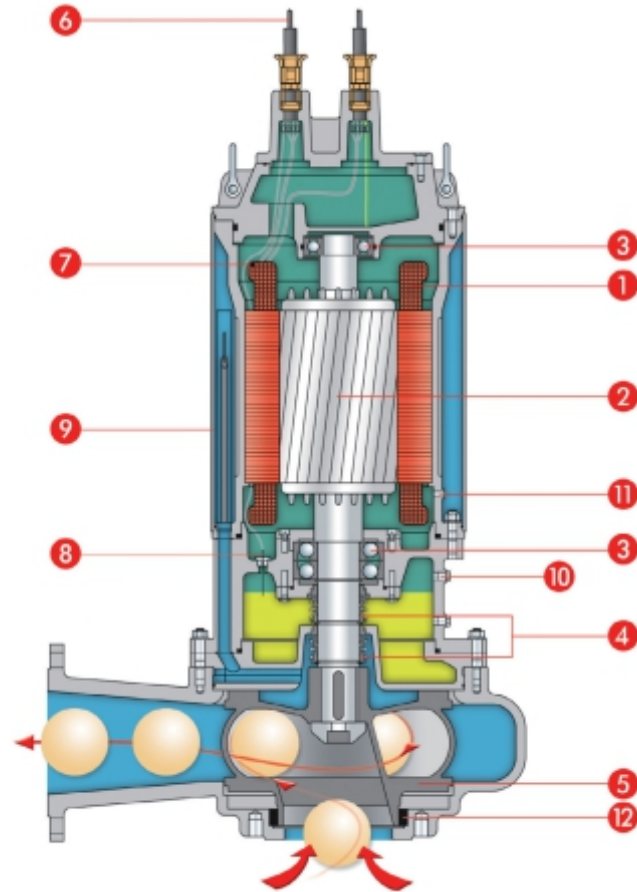
DIMENSION DRAWING



* In view of continuous developments, the information / descriptions / specifications / illustrations are subject to change without notice.



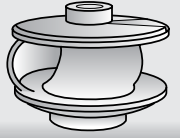
Cross Sectional Drawing



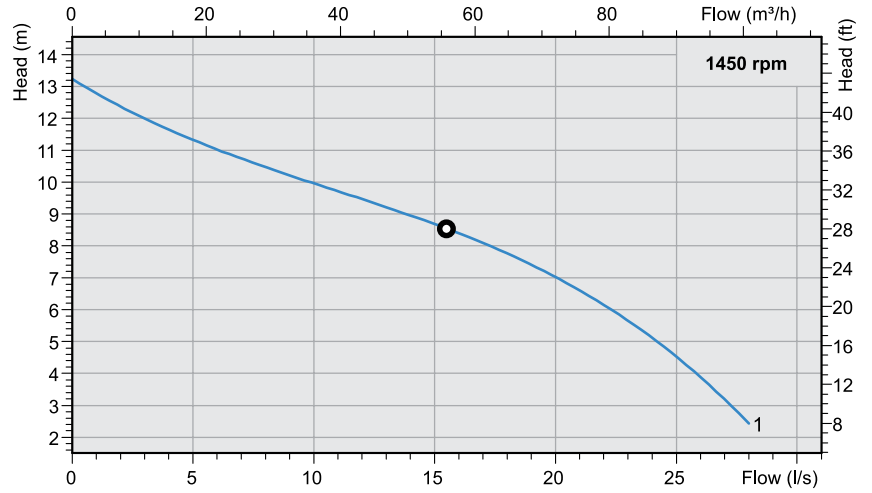
- | | |
|--|---|
| 1. Fully submersible pressure tight electric motor | 7. Thermal over load protector |
| 2. Rotor Shaft | 8. Oil chamber probe |
| 3. Bearing | 9. Cooling jacket (optional) |
| 4. Mechanical seal | 10. Oil inspection plug |
| 5. Closed single-channel impeller | 11. Air plug Hole for the motor water tightness control |
| 6. Cable | 12. Bronze wear ring |

* The above diagram is only for illustration purpose the actual construction of the product may vary according to the model.

MC Series



PERFORMANCE CURVES



PERFORMANCE TABLE

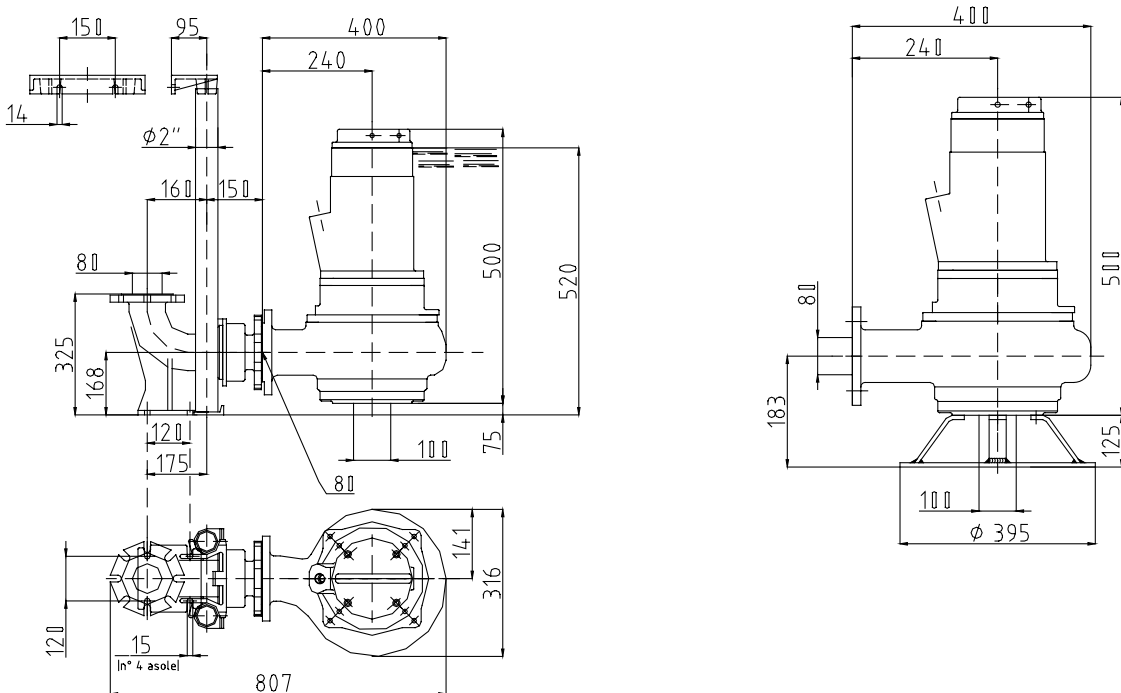
No	Model - Type	P1 kW	P2 kW	Volt	Amp	rpm	Delivery size (mm)	Max.Solid size (mm)	Auto coupling V	Weight (kg)	Flow (l/s)							
											0	5	10	15	20	25	30	
1	MC-CC22-FT-4 *#	2.9	2.2	400	4.8	1450	80	70	80N	63	Head in m	13.2	11.3	9.8	8.5	7.2	6.0	4.8

* Inbuilt with TOP / # Moisture sensor available

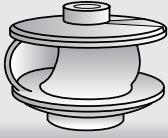
IDENTIFICATION CODE & POWER CABLE SIZE

No	Product Code	Model - Type	Power Cable		Control Cable	Auto coupling Model	Auto coupling Code	Base Frame Model	Base Frame Code	Pump Outlet flange type (inch)
			No. of Core	Size in Sq.mm						
1	611950	MC-CC22-FT-4	7	1.5	NA	V80N	121059	180 MS	117184	ROUND FLANGE 3"

DIMENSION DRAWING



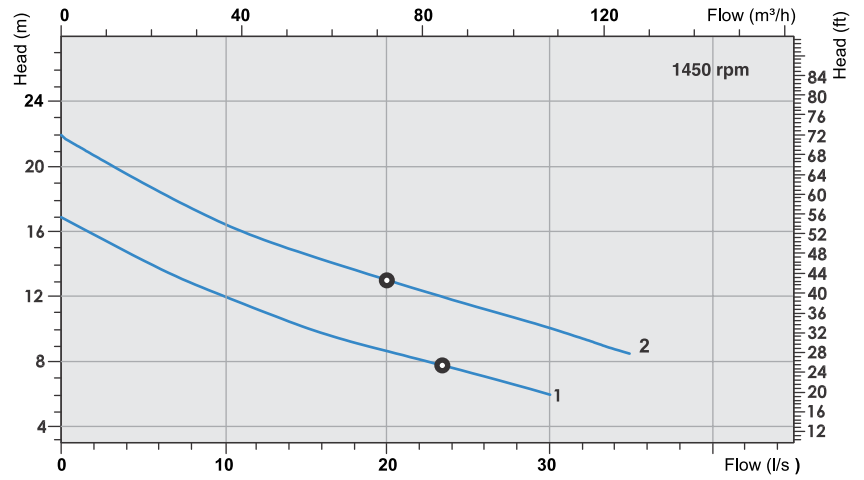
* In view of continuous developments, the information / descriptions / specifications / illustrations are subject to change without notice.



MC Series



PERFORMANCE CURVES



PERFORMANCE TABLE

No	Model - Type	P1 kW	P2 kW	Volt	Amp	rpm	Delivery size (mm)	Max. Solid size (mm)	l/sec m³/h	Flow (l/s)											
										0	5	10	15	20	25	30	35	40	45		
1	MC-CC35-FT-4 *	3.8	3.5	400	6.6	1450	80	70	Head in m	17	14.2	11.5	10	8.4	7	5.5					
2	MC-CC65-FD-4 #	7.6	6.5	400	13	1450	80	70	Head in m	22	19.5	16.5	14.5	12.8	11.5	10.2	8.5				

* Inbuilt with TOP / # Moisture sensor available

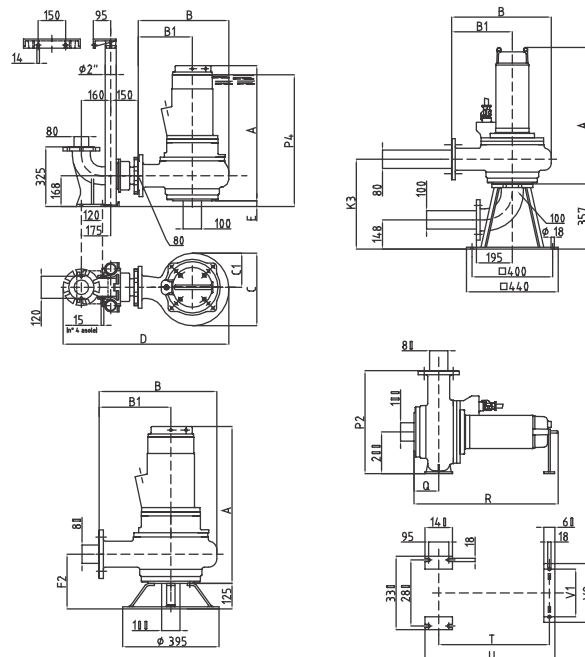
DIMENSION & WEIGHT DATA

No	Model - Type	A max	B	B1	C	C1	D	E	F2	P2	P4	V1	V2	T	U	DN1	Auto coupling V	Weight (kg)
1	MC-CC35-FT-4	587	465	283	366	167	872	45	239	483	592	280	240	550	650	80	80N	66
2	MC-CC65-FD-4	636	465	283	366	167	872	45	239	483	641	280	240	550	650	100	80N	108

IDENTIFICATION CODE & POWER CABLE SIZE

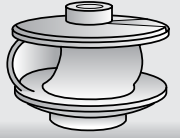
No	Product Code	Model - Type	Power Cable		Control Cable	Auto coupling Model	Auto coupling Code	Base Frame Model	Base Frame Code	Pump Outlet flange type (inch)
			No. of Core	Size in Sq.mm						
1	651657	MC-CC35-FT-4	7	1.5	NA	V80N	121059	180 MS	117184	ROUND FLANGE 3"
2	651660	MC-CC65-FD-4	12	1.5	NA	V80N	121059	180 MS	117184	ROUND FLANGE 3"

DIMENSION DRAWING

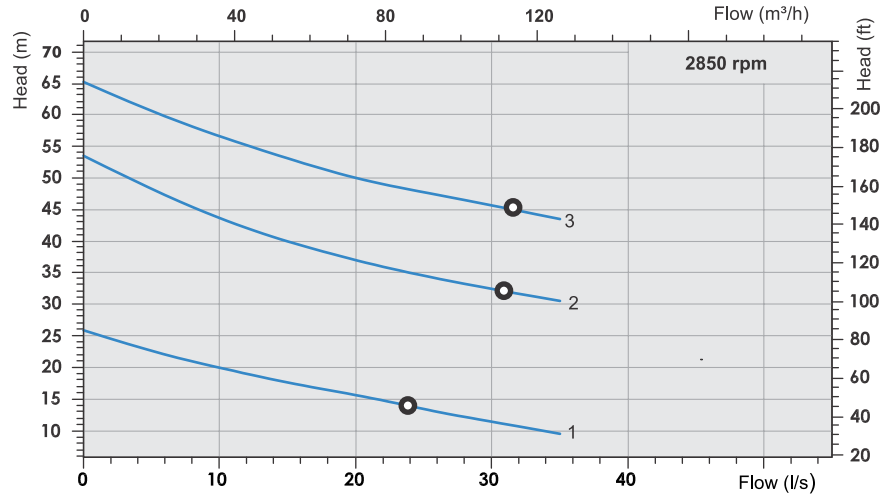


* In view of continuous developments, the information / descriptions / specifications / illustrations are subject to change without notice.

MC Series



PERFORMANCE CURVES



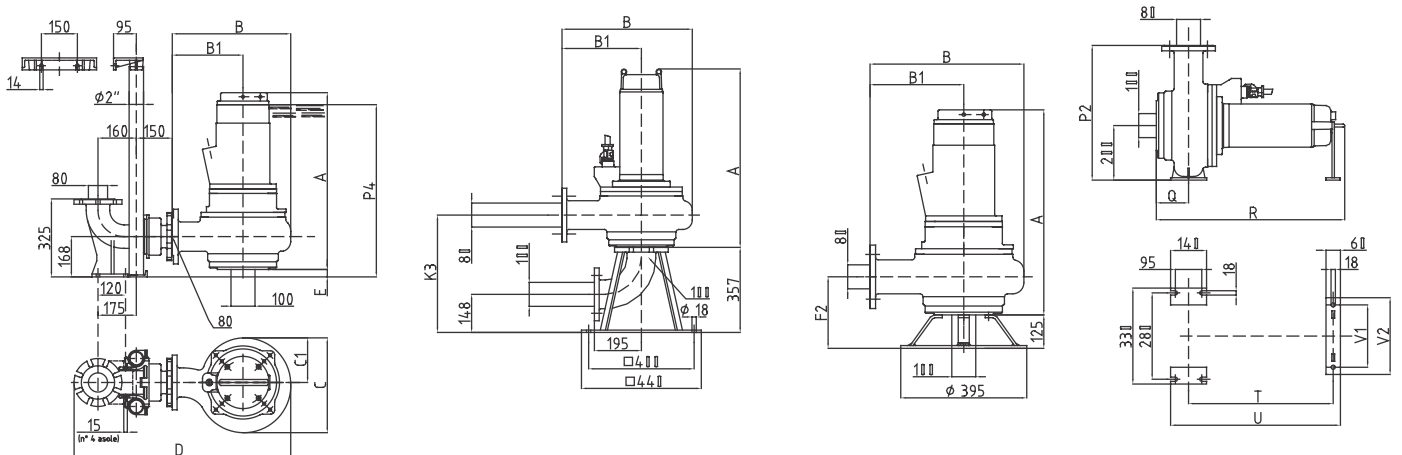
PERFORMANCE TABLE																					
No	Model - Type	P1 kW	P2 kW	Volt	Amp	rpm	Delivery size (mm)	Max. Solid size (mm)	l/sec	0	5	10	15	20	25	30	35	40	45	50	
1	MC-CC90-FD *#	10.5	9	400	18	2850	80	70	Head in m	0	18	36	54	72	90	108	126	144	162	180	
2	MC-CC220-FD *#	25	22	400	42	2850	80	70		25.8	22.6	20	17.5	15.4	13.5	11.5	9.4				
3	MC-CC280-FD *#	31	28	400	46	2850	80	70		65.2	58	53	49.8	47.5	45.6	43.3	39.8				

* Inbuilt with TOP / # Moisture sensor available

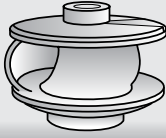
DIMENSION & WEIGHT DATA																			
No	Model - Type	A max	B	B1	C	C1	D	E	F2	P2	P4	K3	Q	T	U	V1	V2	Auto coupling V	Weight (kg)
1	MC-CC90-FD	673	357	202	307	149	764	72	213	402	695	450	92	548	648	260	320	80N	105
2	MC-CC220-FD	749	357	202	307	149	764	72	213	402	771	450	92	796	896	310	370	80N	180
3	MC-CC280-FD	836	466	283	380	200	873	45	244	483	824	476	119	796	896	340	370	80N	205

IDENTIFICATION CODE & POWER CABLE SIZE												
No	Product Code	Model - Type	Power Cable		Control Cable		Auto coupling Model	Auto coupling Code	Base Frame Model	Base Frame Code	Pump Outlet flange type (inch)	
			No. of Core	Size in Sq.mm	No. of Core	Size in Sq.mm						
1	651661	MC-CC90-FD	7	2.5	4	1.5	V80N	121059	180 MS	117184	ROUND FLANGE 3"	
2	651679	MC-CC220-FD	4	4	4	1.5	V80N	121059	180 MS	117184	ROUND FLANGE 3"	
3	651681	MC-CC280-FD	4	6	4	1.5	V80N	121059	180 MS	117184	ROUND FLANGE 3"	

DIMENSION DRAWING

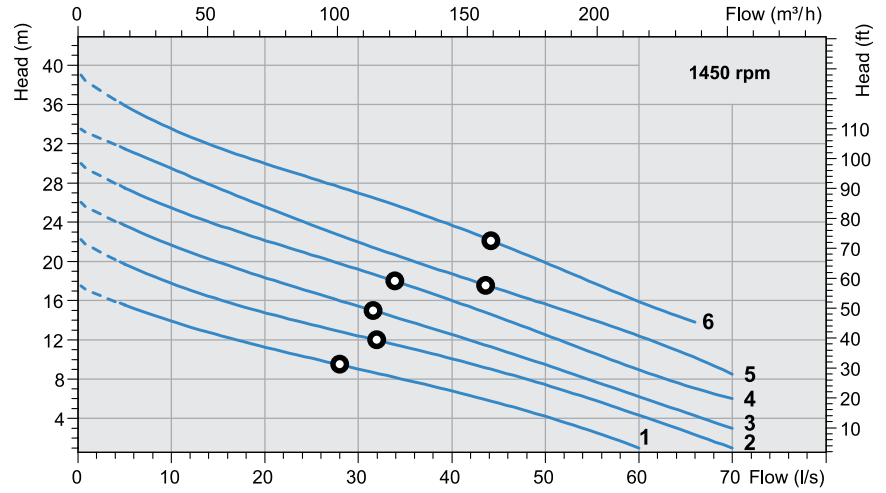


* In view of continuous developments, the information / descriptions / specifications / illustrations are subject to change without notice.



MC Series

PERFORMANCE CURVES



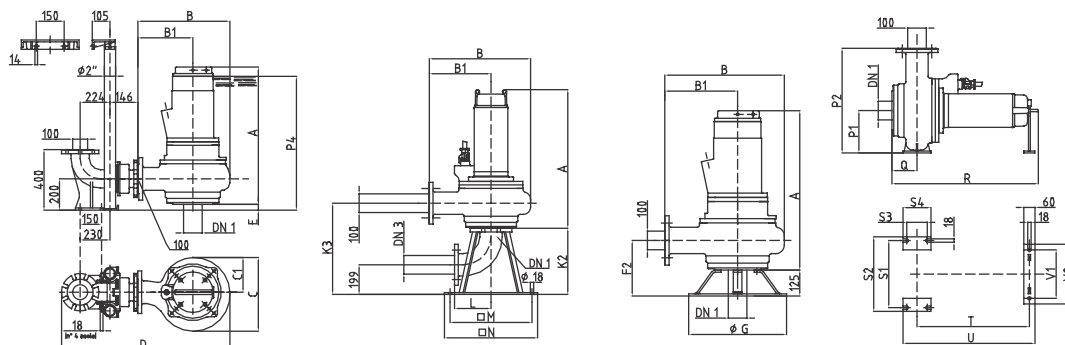
PERFORMANCE TABLE																												
No	Model - Type	P1 kW	P2 kW	Volt	Amp	rpm	Delivery size (mm)	Max.Solid size (mm)	l/sec m³/h	Flow (m³/h)																		
										0	5	10	15	20	25	30	35	40	45	50	55	60	70					
1	MC-CC50-GD-4 *#	6	5	400	11	1450	100	90	Head in m	18	15.6	14	12.7	11.2	10.2	9	8	7	5.5	4	2.6	1.2						
2	MC-CC75-GD-4 *#	9	7.5	400	16	1450	100	90		22	20	17.8	16.1	14.8	13.5	12.5	11.4	10	8.8	7.3	6	4.4	1.2					
3	MC-CC90-GD-4 *#	11	9	400	20	1450	100	90		26	23.5	21.5	20	18.5	17	15.6	14	12.6	11.1	9.5	8	6.5	3					
4	MC-CC120-GD-4 *#	14	12	400	24	1450	100	90		30	27.5	25.5	23.8	22.3	20.9	19.4	17.7	16.1	14.4	12.4	10.6	9	6					
5	MC-CC140-GD-4 *#	17	14	400	30	1450	100	90		33.5	31.3	29.4	27.5	25.6	23.9	22.2	20.5	18.8	17.2	15.8	14	12.3	9					
6	MC-CC175-GD-4 *#	20	17.5	400	36	1450	100	90		39	35.8	33.4	31.5	30	28.8	27	25.5	23.7	21.9	20	18	16						

* Inbuilt with TOP / # Moisture sensor available

DIMENSION & WEIGHT DATA																																
No	Model - Type	A _{max}	B	B1	C	C1	D	E	F2	P2	P4	P1	G	K1	K2	K3	L	M	N	S1	S2	S3	S4	T	U	V1	V2	DN1	DN3	kg	Auto coupling V	Weight (kg)
1	MC-CC50-GD-4	659	462	282	361	166	939	70	256	482	689	200	395	151	345	468	195	380	440	280	330	95	140	651	751	260	320	100	100	109	100N	106.5
2	MC-CC75-GD-4	675	462	282	361	166	939	70	256	482	703	250	450	199	470	605	271	440	500	350	410	120	160	902	1012	310	370	150	150	118	100N	111
3	MC-CC90-GD-4	742	584	333	480	214	1061	65	254	584	757	250	450	199	470	605	271	440	500	350	410	120	160	902	1012	310	370	150	150	184	100N	207
4	MC-CC120-GD-4	742	584	333	480	214	1061	65	254	584	757	250	450	199	470	605	271	440	500	350	410	120	160	902	1012	310	370	150	150	200	100N	210
5	MC-CC140-GD-4	818	584	333	480	214	1061	65	260	584	833	250	450	199	470	605	271	440	500	350	410	120	160	902	1012	310	370	150	150	212	100N	226.5
6	MC-CC175-GD-4	818	584	333	480	214	1061	65	260	584	833	250	450	199	470	605	271	440	500	350	410	120	160	902	1012	310	370	150	150	231	100N	232

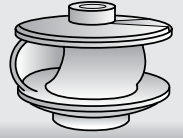
IDENTIFICATION CODE & POWER CABLE SIZE												
No	Product Code	Model - Type	Power Cable		Control Cable		Auto coupling Model	Auto coupling Code	Base Frame Model	Base Frame Code	Pump Outlet flange type (inch)	
			No. of Core	Size in Sq.mm	No. of Core	Size in Sq.mm						
1	651666	MC-CC50-GD-4	12	1.5	NA	NA	V100N	121061	180 MS	117184	ROUND FLANGE 4"	
2	606143	MC-CC75-GD-4	12	1.5	NA	NA	V100N	121061	180 MS	117184	ROUND FLANGE 4"	
3	651649	MC-CC90-GD-4	7	2.5	4	1.5	V100N	121061	240 MS (H-125)	117186	ROUND FLANGE 4"	
4	651662	MC-CC120-GD-4	7	2.5	4	1.5	V100N	121061	240 MS (H-125)	117186	ROUND FLANGE 4"	
5	651663	MC-CC140-GD-4	4	4	4	1.5	V100N	121061	240 MS (H-125)	117186	ROUND FLANGE 4"	
6	651664	MC-CC175-GD-4	4	4	4	1.5	V100N	121061	240 MS (H-125)	117186	ROUND FLANGE 4"	

DIMENSION DRAWINGS

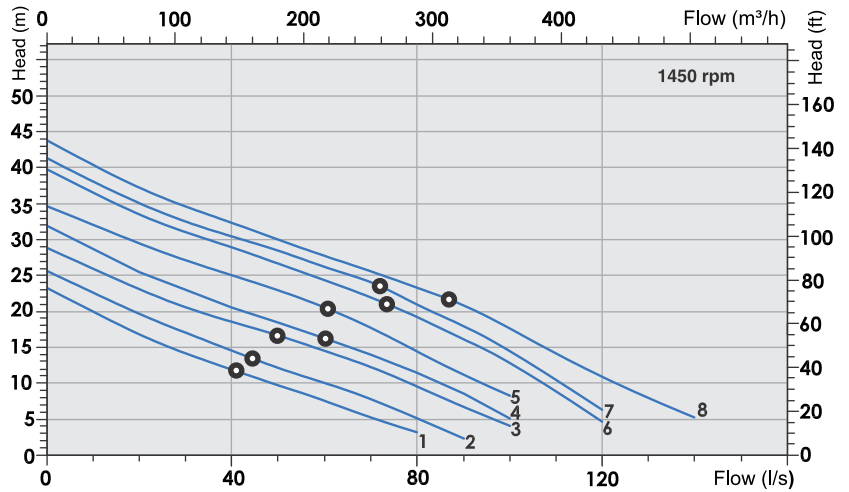


* In view of continuous developments, the information / descriptions / specifications / illustrations are subject to change without notice.

MC Series



PERFORMANCE CURVES



PERFORMANCE TABLE

No	Model - Type	P1 kW	P2 kW	Volt	Amp	rpm	Delivery size (mm)	Max.Solid size (mm)	Flow (l/s)																
									0	10	20	30	40	50	60	70	80	90	100	120	140				
1	MC-CC90-ID-4 *#	11	9	400	20	1450	150	90	23.1	19.8	16.8	14.1	12	9.9	7.7	5.3	3.1								
2	MC-CC120-ID-4 *#	14	12	400	24	1450	150	90	25.8	22.7	19.6	17	14.6	12.3	10.1	7.9	5.2	2.1							
3	MC-CC140-ID-4 *#	17	14	400	30	1450	150	90	28.9	26	22.9	20.5	18.5	16.7	14.6	12.2	9.6	6.8	3.9						
4	MC-CC175-ID-4 *#	20	17.5	400	36	1450	150	90	32	28.8	25.6	22.9	20.6	18.4	16.3	14	11.5	8.6	5.1						
5	MC-CC220-ID-4 *#	25	22	400	45	1450	150	90	34.7	32	29.6	27.1	24.9	22.9	20.6	17.8	14.5	11	8.2						
6	MC-CC260-ID-4 *#	29	26	400	48	1450	150	90	39.8	36.5	33.1	31.3	29.3	27	24.4	22.1	19.3	16	13.2	4.7					
7	MC-CC300-ID-4 *	33	30	400	60	1450	150	90	41.3	38	34.7	32.9	30.8	28.6	26.1	23.7	20.8	18	14.8	6.3					
8	MC-CC340-ID-4 *	39	34	400	68	1450	150	90	44	40.2	36.9	34.6	31.8	29.7	27.7	25.4	23.1	21	17.9	10.5	5.3				

* Inbuilt with TOP / # Moisture sensor available

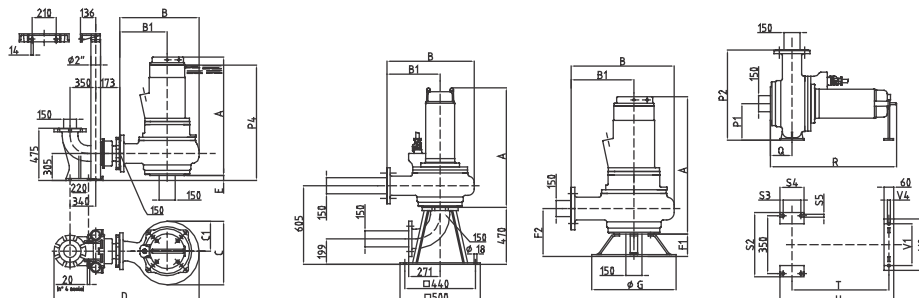
DIMENSION & WEIGHT DATA

No	Model - Type	A max	B	B1	C	C1	D	E	F1	F2	G	P2	P4	P1	Q	S1	S2	S3	S4	S5	T	U	V1	V2	Auto coupling V	Weight (kg)
1	MC- CC90-ID-4	742	583	333	490	220	1257	171	125	303	450	583	863	250	135	350	410	120	160	18	902	1012	310	370	150N	190
2	MC-CC120-ID-4	818	592	333	490	220	1266	171	125	303	450	583	939	250	135	350	410	120	160	18	902	1012	310	370	150N	192
3	MC-CC140-ID-4	818	592	333	490	220	1266	171	125	303	450	583	939	250	135	350	410	120	160	18	902	1012	310	370	150N	218
4	MC-CC175-ID-4	818	592	333	490	220	1266	171	125	303	450	583	939	250	135	350	410	120	160	18	902	1012	310	370	150N	222
5	MC-CC220-ID-4	884	691	420	549	244	1365	166	174	306	600	770	994	310	140	350	450	90	140	20	1125	1225	360	420	150N	320
6	MC-CC260-ID-4	884	691	420	549	244	1365	166	174	306	600	770	994	310	140	350	450	90	140	20	1125	1225	360	420	150N	410
7	MC-CC300-ID-4	1082	691	420	549	244	1365	166	174	306	600	770	1143	310	140	350	450	90	140	20	1125	1225	360	420	150N	420
8	MC-CC340-ID-4	1082	691	420	549	244	1365	166	174	306	600	770	1143	310	140	350	450	90	140	20	1125	1225	360	420	150N	430

IDENTIFICATION CODE & POWER CABLE SIZE

No	Product Code	Model - Type	Power Cable		Control Cable		Auto coupling Model	Auto coupling Code	Base Frame Model	Base Frame Code	Pump Outlet flange type (inch)
			No. of Core	Size in Sq.mm	No. of Core	Size in Sq.mm					
1	651671	MC- CC90-ID-4	7	1.5	4	1.5	V150N	121063	240 MS (H-125)	117186	ROUND FLANGE 5"
2	651672	MC-CC120-ID-4	4	4	4	1.5	V150N	121063	240 MS (H-125)	117186	ROUND FLANGE 5"
3	651673	MC-CC140-ID-4	4	4	4	1.5	V150N	121063	240 MS (H-125)	117186	ROUND FLANGE 5"
4	651674	MC-CC175-ID-4	4	4	4	1.5	V150N	121063	240 MS (H-125)	117186	ROUND FLANGE 5"
5	605825	MC-CC220-ID-4	4	6	4	1.5	V150N	121063	240 MS (H-174)	117185	ROUND FLANGE 6"
6	604584	MC-CC260-ID-4	4	6	4	1.5	V150N	121063	240 MS (H-174)	117185	ROUND FLANGE 6"
7	604587	MC-CC300-ID-4	4	10	4	1.5	V150N	121063	240 MS (H-174)	117185	ROUND FLANGE 6"
8	604588	MC-CC340-ID-4	4	10	4	1.5	V150N	121063	240 MS (H-174)	117185	ROUND FLANGE 6"

DIMENSION DRAWING



* In view of continuous developments, the information / descriptions / specifications / illustrations are subject to change without notice.



KC Series



KC Series

The KC Series submersible sewage pumps are multi vane design used to improve performance with larger solid passage upto 6½” in diameter. The closed multi-vane impeller for solids-laden and muddy fluids offers the highest efficiency for waste water. These pumps are suitable for pumping municipal waste water, Industrial waste water, Land fill waste water, Rain water and Activated sludge etc.

Operating parameters	
Max Flow	upto 2520m ³ /hr
Max Head	upto 66.5m
Impeller Type	Multi-Channel Impeller
Outlet Size	150 - 400 mm
Max Solid Size	upto 165mm
Maximum Liquid Temperature	upto 40°C
Service	S1 Duty
No. of Starts / Per Hour	20
Max. immersion depth	20m
pH range	6 to 12
Liquid Viscosity	1 mm ² /s
Liquid Density	1kg/dm ³
Max. Noise level	≤ 70dB

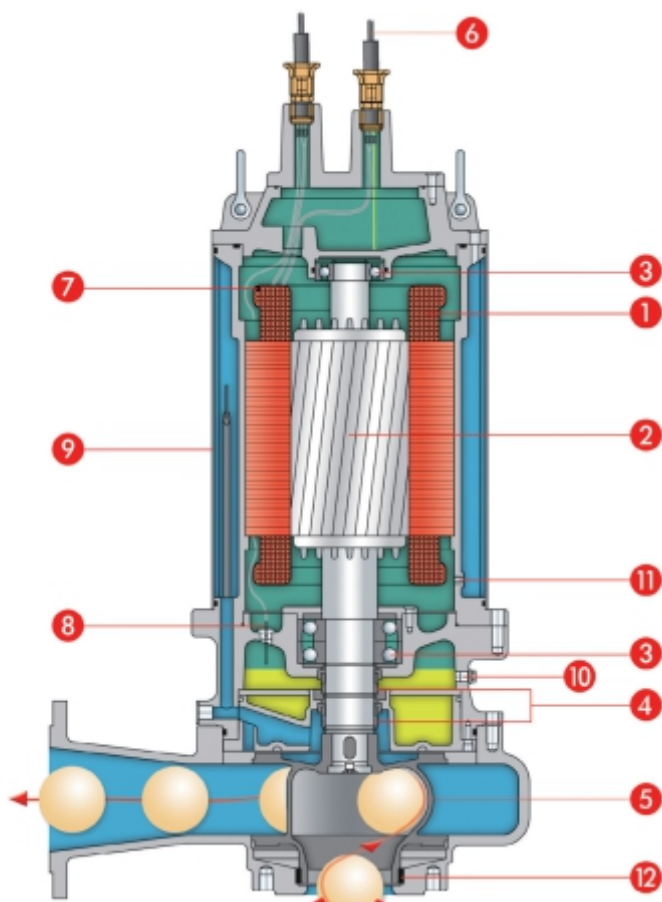
Specifications	
Power Range	10,5 to 185kW
Power Supply	380-415V - Three Phase, 50Hz, AC.
Ingress Protection	IP68
Motor	Dry Type Induction motor
Speed	1450 / 960 / 720 rpm
Class of Insulation	H
Moisture sensor	# Available
Thermal Overload Protector	* Available
Starting Method	Three Phase - DOL & SD
Shaft Seal	Single / Double Mechanical seal
Mechanical Seal Face Combination	Silicon Carbide / Silicon Carbide Silicon Carbide / Silicon Carbide
Bearing Type	Shielded prelubricated bearing
Cable Type	HO7RNF
Standard Cable Length	10m

Material of Construction	
Casing	Cast iron EN-GJL-260
Impeller	Cast iron EN-GJL-260
Motor Housing	Cast iron EN-GJL-260
Shaft	Stainless Steel X30 Cr13 (AISI 420)
Fasteners	Stainless Steel A2 (AISI 304)

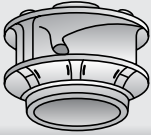
KC Series



Cross Section Drawing

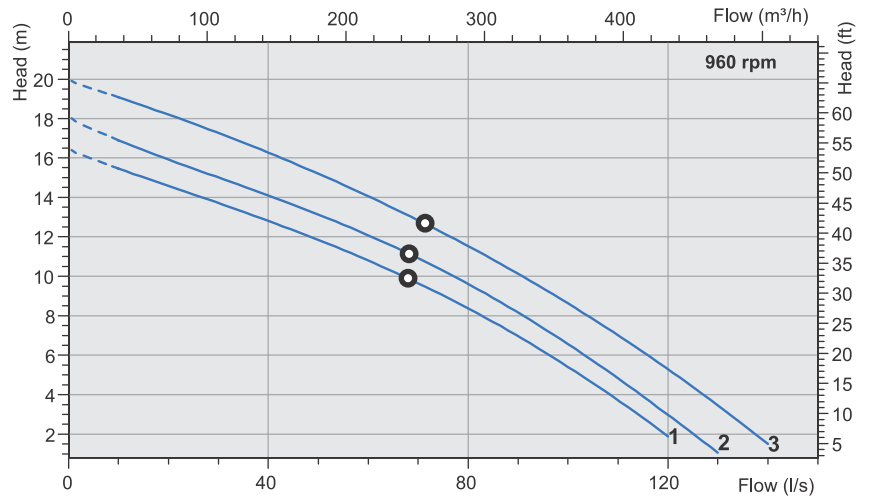


- | | |
|--|---|
| 1. Fully submersible pressure tight electric motor | 7. Thermal over load protector |
| 2. Rotor Shaft | 8. Oil chamber probe |
| 3. Bearing | 9. Cooling jacket (optional) |
| 4. Mechanical seal | 10. Oil inspection plug |
| 5. Closed multi-channel impeller | 11. Air plug hole for the motor water tightness control |
| 6. Cable | 12. Bronze wear ring |



KC Series

PERFORMANCE CURVES

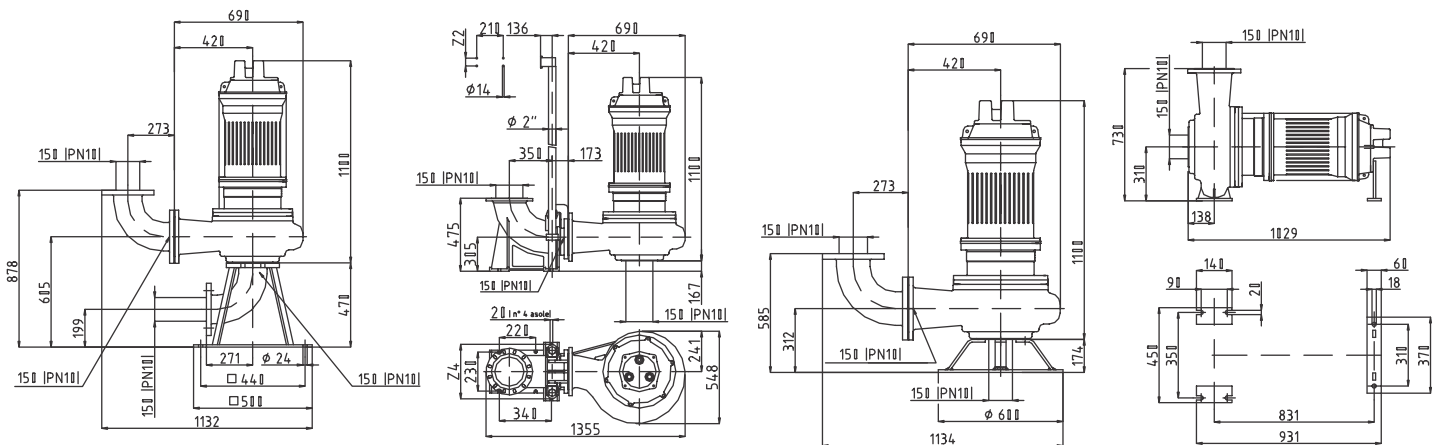


PERFORMANCE TABLE																													
No	Model - Type	P1 kW	P2 kW	Volt	Amp	rpm	Delivery size (mm)	Max.Solid size (mm)	Auto coupling V	Weight (kg)	l/sec	Head in m																	
												0	20	40	60	80	100	120	140	150	0	72	144	216	288	360	432	504	540
1	KC-CL105-ID-6 *#	14.5	10.5	400	25	960	150	80	150N	310	16.4	14.6	12.8	10.8	8.4	5.4	1.9												
2	KC-CL115-ID-6 *#	15.5	11.5	400	27	960	150	80	150N	310	18	16	14	12.1	9.7	6.5	3												
3	KC-CL135-ID-6 *#	16	13.5	400	29.4	960	150	80	150N	310	19.9	18.2	16.3	14	11.6	8.6	5.3	1.5											

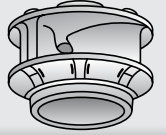
* Inbuilt with TOP / # Moisture sensor available

IDENTIFICATION CODE & POWER CABLE SIZE											
No	Product Code	Model - Type	Power Cable		Control Cable		Auto coupling Model	Auto coupling Code	Base Frame Model	Base Frame Code	Pump Outlet flange type (inch)
			No. of Core	Size in Sq.mm	No. of Core	Size in Sq.mm					
1	651642	KC-CL105-ID-6	4	2.5	4	1.5	V150N	121063	240 MS (H-125)	117185	ROUND FLANGE 6"
2	605454	KC-CL115-ID-6	4	6	4	1.5	V150N	121063	240 MS (H-125)	117185	ROUND FLANGE 6"
3	605455	KC-CL135-ID-6	4	6	4	1.5	V150N	121063	240 MS (H-125)	117185	ROUND FLANGE 6"

DIMENSION DRAWING

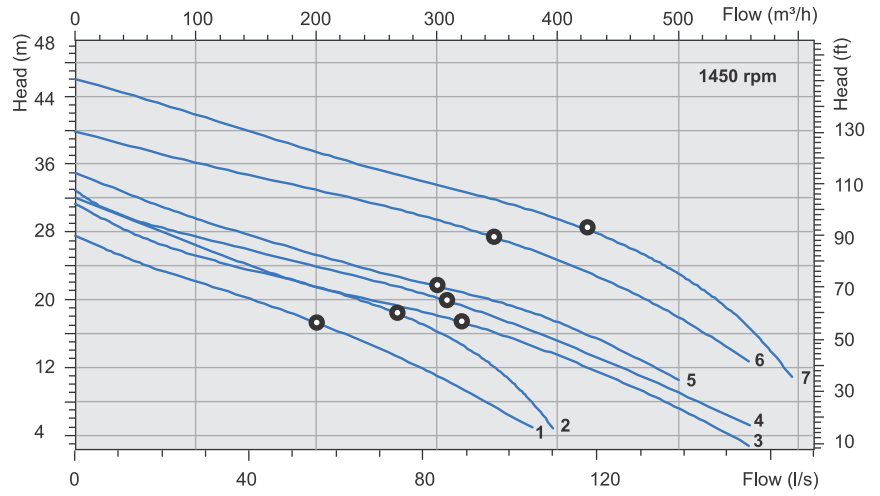


* In view of continuous developments, the information / descriptions / specifications / illustrations are subject to change without notice.



KC Series

PERFORMANCE CURVES



PERFORMANCE TABLE

No	Model - Type	P1 kW	P2 kW	Volt	Amp	rpm	Delivery size (mm)	Max.Solid size (mm)	l/sec m³/h	Head in m											
										0	20	40	60	80	100	120	140	150	160		
1	KC-CL140-ID-4 *#	17	14	400	30	1450	150	80	27.4	23.4	20	16.3	11.8	6.4							
2	KC-CL190-ID-4 *#	22	19	400	45	1450	150	80	31.8	28	24	20.7	17	10.5							
3	KC-CL260-ID-4 *#	30	26	400	48	1450	150	80	31.2	26.5	23.4	21	18.6	15.5	11.6	6.8	4.2				
4	KC-CL300-ID-4 *	33	30	400	63	1450	150	80	32.5	28.8	25.6	23.1	20.7	17.5	13.2	8.4	6.6				
5	KC-CL340-ID-4 *	39	34	400	68	1450	150	80	35	31	27.4	24.6	22	19.2	16	9.4	6.9				
6	KC-CL450-ID-4 *#	48	45	400	75	1450	150	80	40	37.1	34.7	32.4	29.9	26.7	22.7	17.6	14.4				
7	KC-CL520-ID-4 *#	56	52	400	88	1450	150	80	46	42.7	40	37.1	34	30.9	27.7	23.1	18.8	13.8			

* Inbuilt with TOP / # Moisture sensor available

IDENTIFICATION CODE & POWER CABLE SIZE

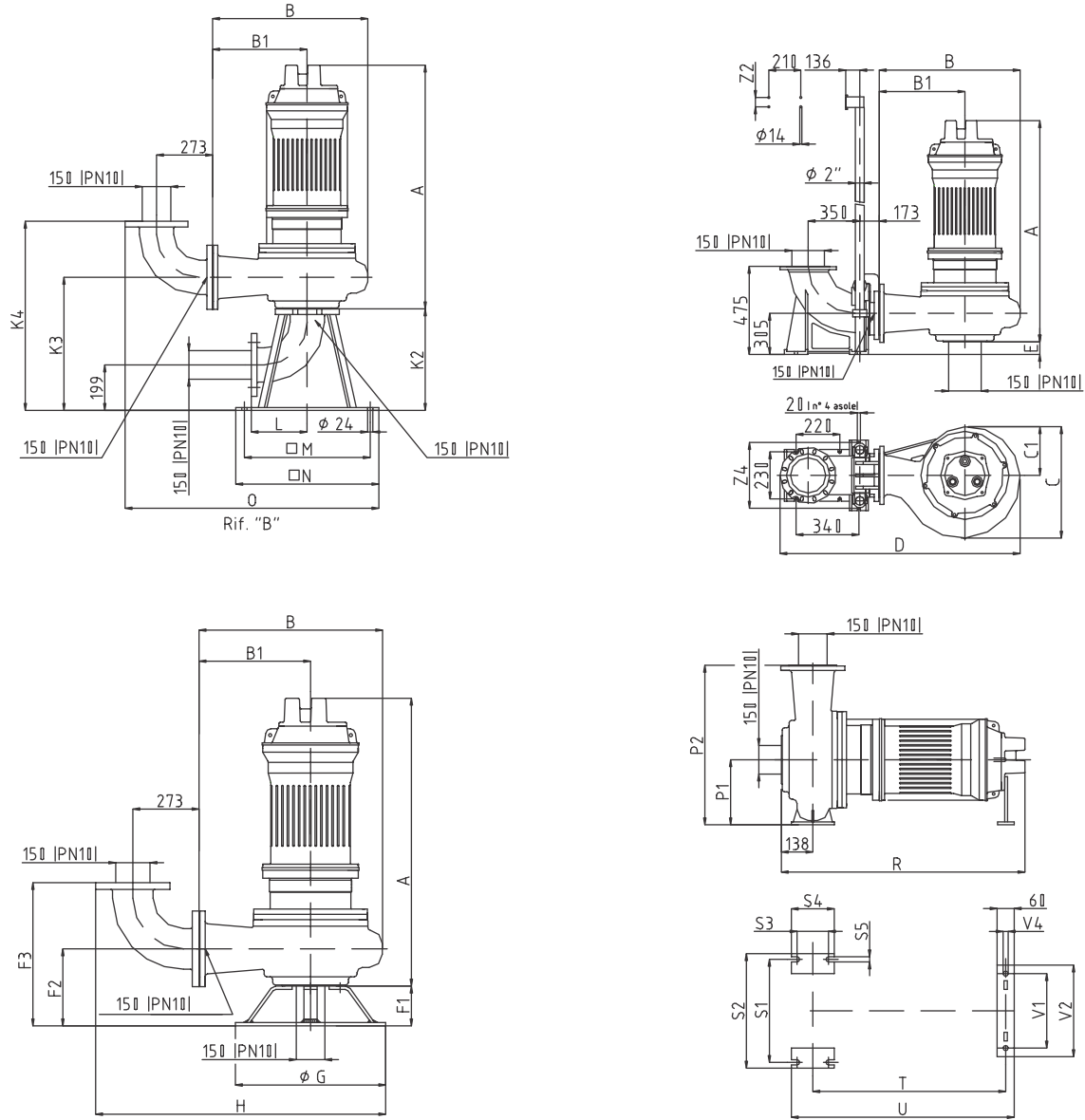
No	Product Code	Model - Type	Power Cable		Control Cable		Auto coupling Model	Auto coupling Code	Base Frame Model	Base Frame Code	Pump Outlet flange type (inch)
			No. of Core	Size in Sq.mm	No. of Core	Size in Sq.mm					
1	651643	KC-CL140-ID-4	4	4	4	1.5	V150N	121063	240 MS (H-125)	117186	ROUND FLANGE 6"
2	651644	KC-CL190-ID-4	4	4	4	1.5	V150N	121063	240 MS (H-174)	117185	ROUND FLANGE 6"
3	604583	KC-CL260-ID-4	4	6	4	1.5	V150N	121063	240 MS (H-174)	117185	ROUND FLANGE 6"
4	604589	KC-CL300-ID-4	4	10	4	1.5	V150N	121063	240 MS (H-174)	117185	ROUND FLANGE 6"
5	604590	KC-CL340-ID-4	4	10	4	1.5	V150N	121063	240 MS (H-174)	117185	ROUND FLANGE 6"
6	606223	KC-CL450-ID-4	4	10	4	1.5	V150N	121063	240 MS (H-174)	117185	ROUND FLANGE 6"
7	604592	KC-CL520-ID-4	4	10	4	1.5	V150N	121063	240 MS (H-174)	117185	ROUND FLANGE 6"

* In view of continuous developments, the information / descriptions / specifications / illustrations are subject to change without notice.



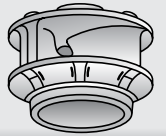
KC Series

DIMENSION DRAWING



DIMENSION & WEIGHT DATA																																		
Nr	Model - Type	A _{max}	B	B1	C	C1	D	E	F1	F2	F3	G	H	O	P1	K2	K3	K4	L	M	N	P2	S1	S2	S3	S4	S5	T _{max}	U _{max}	V1	V2	V4	Auto coupling V	Weight (kg)
1	KC-CL140-ID-4	820	608	370	468	209	1273	170	125	260	533	450	1024	310	470	605	878	271	440	500	250	620	350	410	120	160	18	902	1012	310	370	18	150N	218
2	KC-CL190-ID-4	1100	690	420	548	241	1355	167	174	260	447	600	1106	250	470	605	878	271	440	500	310	730	350	450	90	140	20	1125	1225	360	420	20	150N	320
3	KC-CL260-ID-4	864	755	455	596	264	1429	755	455	596	585	264	1429	1123	310	470	610	883	271	440	500	765	350	450	90	140	20	1125	1135	360	420	20	150N	410
4	KC-CL300-ID-4	1062	755	455	596	264	1429	755	455	596	585	264	1429	1123	310	470	610	883	271	440	500	765	350	450	90	140	20	1125	1135	360	420	20	150N	420
5	KC-CL340-ID-4	1062	755	455	596	264	1429	755	455	596	585	264	1429	1123	310	470	610	883	271	440	500	765	350	450	90	140	20	1125	1135	360	420	20	150N	430
6	KC-CL450-ID-4	1208	755	455	596	264	1429	165	174	312	585	600	1173	1123	310	500	640	913	283	560	650	760	450	550	120	160	23	1144	1254	360	420	23	150N	560
7	KC-CL520-ID-4	1208	755	455	596	264	1429	165	174	312	585	600	1173	1123	310	500	640	913	283	560	650	760	450	550	120	160	23	1144	1254	360	420	23	150N	615

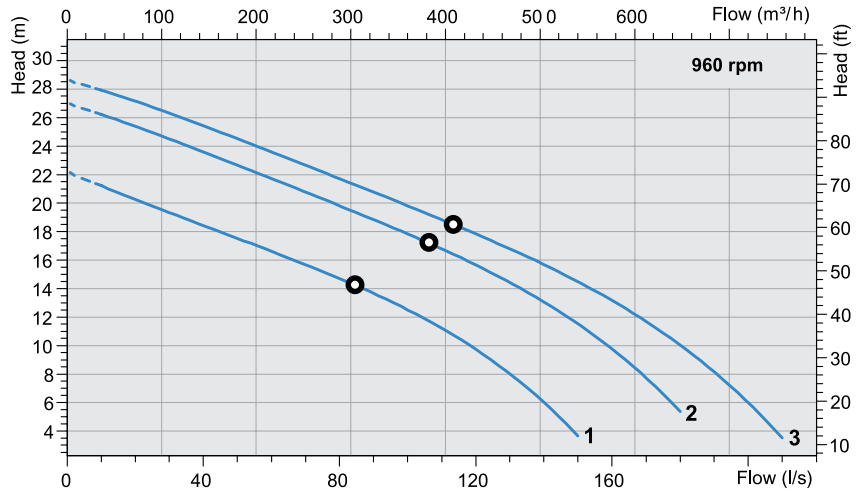
* In view of continuous developments, the information / descriptions / specifications / illustrations are subject to change without notice.



KC Series



PERFORMANCE CURVES

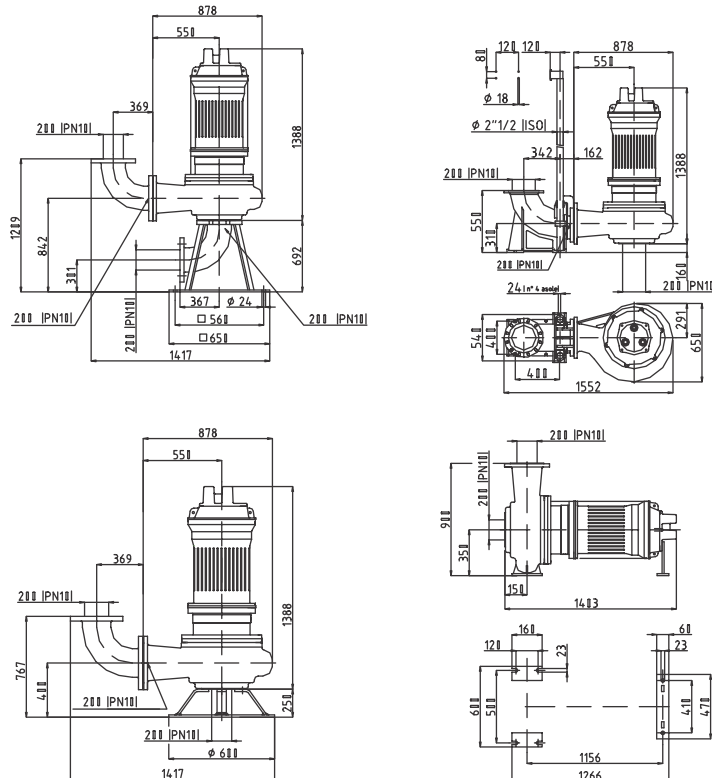


PERFORMANCE TABLE																									
No	Model - Type	P1 kW	P2 kW	Volt	Amp	rpm	Delivery size (mm)	Max.Solid size (mm)	Auto coupling V	Weight (kg)	I/sec m³/h	0	10	20	40	60	80	100	120	140	160	180	200		
1	KC-CL170-JD-6*#□	19.5	17	400	36	960	200	100	200N	515	Head in m	22.2	21.2	20.3	18.4	16.6	14.8	12.4	9.8	6					
2	KC-CL250-JD-6*#□	29.3	25	400	55.5	960	200	100	200N	545		27	26.2	25.4	23.6	21.7	19.8	17.8	15.7	13.1	9.7	5.4			
3	KC-CL340-JD-6*#	36.9	34	400	67.5	960	200	100	200N	758		28.5	28	27	25.5	23.6	21.7	19.8	17.8	15.7	13.2	10	6		

* Inbuilt with TOP / # Moisture sensor available / □ Dry Pit Model

IDENTIFICATION CODE & POWER CABLE SIZE											
No	Product Code	Model - Type	Power Cable		Control Cable		Auto coupling Model	Auto coupling Code	Base Frame Model	Base Frame Code	Pump Outlet flange type (inch)
			No. of Core	Size in Sq.mm	No. of Core	Size in Sq.mm					
1	611011	KC-CL170-JD-6	4	10	4	1.5	200/200	173439	295 MS	117187	ROUND FLANGE 8"
2	610602	KC-CL250-JD-6	4	10	4	1.5	200/200	173439	295 MS	117187	ROUND FLANGE 8"
3	610603	KC-CL340-JD-6	4	10	4	1.5	200/200	173439	295 MS	117187	ROUND FLANGE 8"

DIMENSION DRAWING



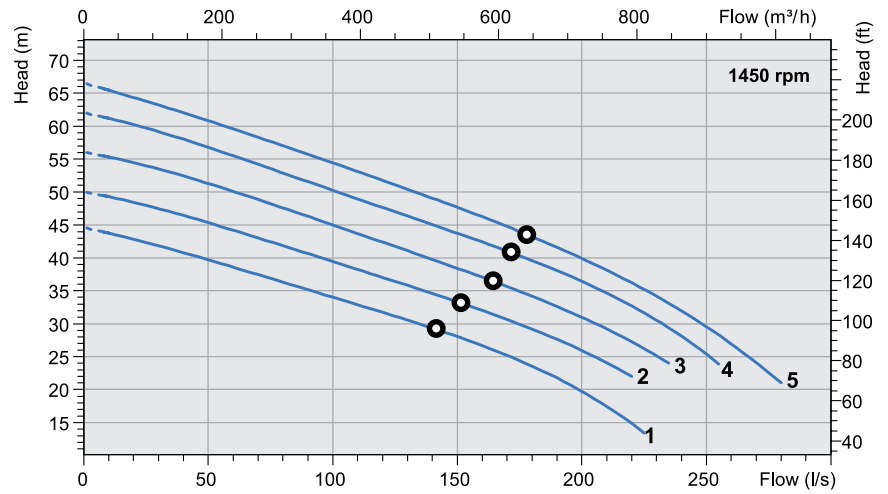
* In view of continuous developments, the information / descriptions / specifications / illustrations are subject to change without notice.



KC Series



PERFORMANCE CURVES



PERFORMANCE TABLE

No	Model - Type	P1 kW	P2 kW	Volt	Amp	rpm	Delivery size (mm)	Max. Solid size (mm)	l/sec	Flow (m³/h)																	
										0	10	20	40	60	80	100	120	140	160	180	200	220	240	260	280		
1	KC-CL680-JD-4 *#	74.7	68	400	130	1450	200	100	Head in m	44.5	43.9	42.9	40.8	38.5	36.3	34	31.2	29.2	26.5	23.4	19.7	14.9					
2	KC-CL790-JD-4 *#	85	79	400	141	1450	200	100		50	49.5	48.5	46.5	44.2	41.8	39.5	37.1	34.6	32.2	29.3	25.9	21.8					
3	KC-CL900-JD-4 *#	99	90	400	164	1450	200	100		56	55	54.4	52.4	50	47.6	45	42.4	39.9	37.3	34.4	31.3	27.5					
4	KC-CLA05-JD-4 *#	114	105	400	188	1450	200	100		62	61.5	60.2	58	55.9	53	50.4	47.6	45	42.3	39.4	36.3	32.8	28.4				
5	KC-CLA27-JD-4 *#	138	127	400	231	1450	200	100		66.5	65.5	64.3	62	59.4	56.7	54	51.2	48.6	45.8	43	40	36.4	32.2	26.9	21.5		

* Inbuilt with TOP / # Moisture sensor available

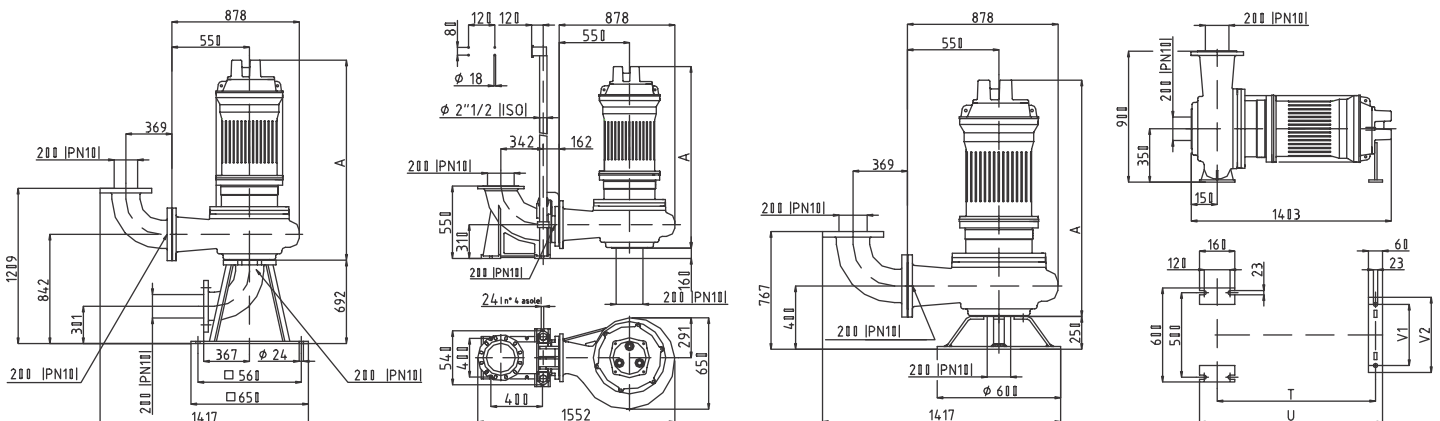
DIMENSION & WEIGHT DATA

No	Model - Type	A max	R max	T max	U max	V1	V2	Auto coupling V	Weight (kg)
1	KC-CL680-JD-4	1158	1533	1286	1396	410	470	200N	662
2	KC-CL790-JD-4	1158	1533	1286	1396	410	470	200N	753
3	KC-CL900-JD-4	1158	1533	1286	1396	410	470	200N	930
4	KC-CLA05-JD-4	1158	1533	1286	1396	410	470	200N	1000
5	KC-CLA27-JD-4	1673	1388	1440	1550	508	568	200N	1030

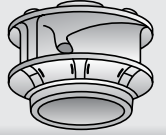
IDENTIFICATION CODE & POWER CABLE SIZE

No	Product Code	Model - Type	Power Cable		Control Cable		Auto coupling Model	Auto coupling Code	Base Frame Model	Base Frame Code	Pump Outlet flange type (inch)
			No. of Core	Size in Sq.mm	No. of Core	Size in Sq.mm					
1	610604	KC-CL680-JD-4	4	25	4	1.5	200/200	173439	295 MS	117187	ROUND FLANGE 8"
2	611013	KC-CL790-JD-4	4	25	4	1.5	200/200	173439	295 MS	117187	ROUND FLANGE 8"
3	611014	KC-CL900-JD-4	4	25	4	1.5	200/200	173439	295 MS	117187	ROUND FLANGE 8"
4	610605	KC-CLA05-JD-4	4	25	4	1.5	200/200	173439	295 MS	117187	ROUND FLANGE 8"
5	611015	KC-CLA27-JD-4	4	25	4	1.5	200/200	173439	295 MS	117187	ROUND FLANGE 8"

DIMENSION DRAWING



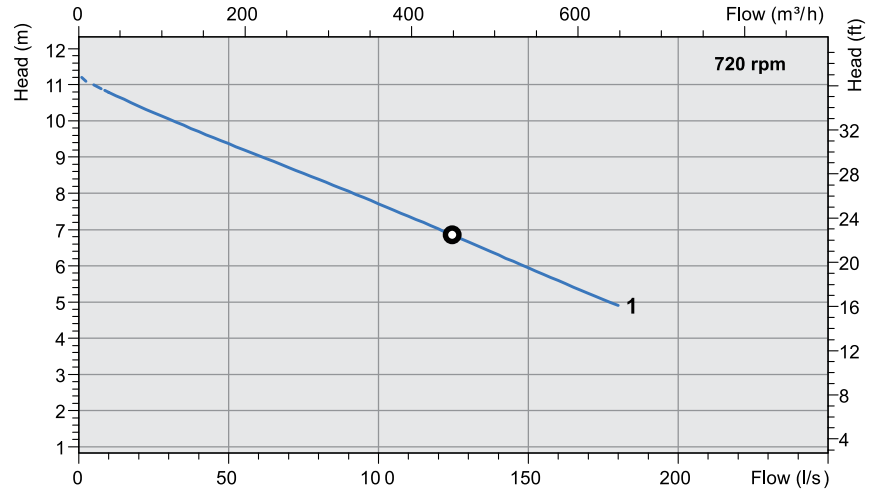
* In view of continuous developments, the information / descriptions / specifications / illustrations are subject to change without notice.



KC Series



PERFORMANCE CURVES

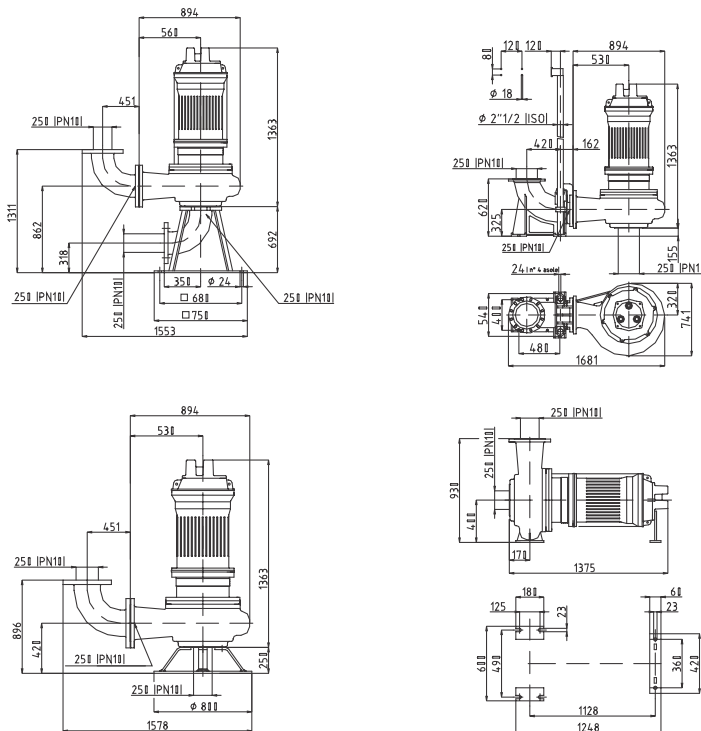


PERFORMANCE TABLE																									
No	Model - Type	P1 kW	P2 kW	Volt	Amp	rpm	Delivery size (mm)	Max.Solid size (mm)	Auto coupling V	Weight (kg)	I/sec	0	12	20	40	60	80	100	120	140	160	180	200	240	
											m³/h	0	43	72	144	216	288	360	432	504	576	648	720	864	
1	KC-CL144-KD-8 *#	17.1	14.4	400	33.8	720	250	130	250N	542	Head in m	11.2	10.7	10.5	9.8	9	8.3	7.6	7	6.3	5.6	4.9			

* Inbuilt with TOP / # Moisture sensor available

IDENTIFICATION CODE & POWER CABLE SIZE												
No	Product Code	Model - Type	Power Cable		Control Cable		Auto coupling Model	Auto coupling Code	Base Frame Model	Base Frame Code	Pump Outlet flange type (inch)	
			No. of Core	Size in Sq.mm	No. of Core	Size in Sq.mm						
1	610606	KC-CL144-KD-8	4	4	4	1.5	250/250	173442	350 MS	117209	ROUND FLANGE 10"	

DIMENSION DRAWING



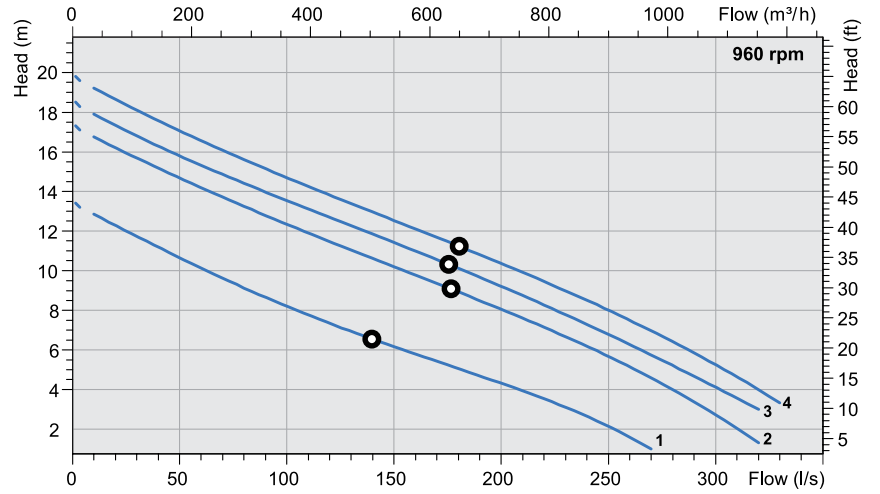
* In view of continuous developments, the information / descriptions / specifications / illustrations are subject to change without notice.



KC Series



PERFORMANCE CURVES



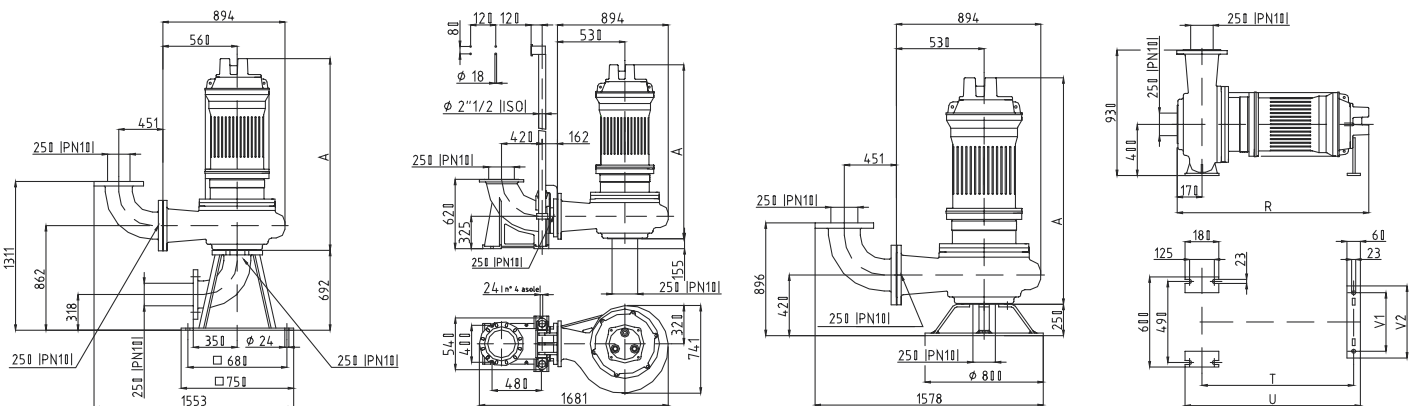
PERFORMANCE TABLE																										
No	Model - Type	P1 kW	P2 kW	Volt	Amp	rpm	Delivery size (mm)	Max.Solid size (mm)	l/sec m³/h	0	12	20	40	60	80	100	120	140	160	180	200	240	280	320		
1	KC-CL170-KD-6 *#	19.5	17	400	36.4	960	250	130	Head in m	13.5	12.7	12.2	11.2	10.2	9.2	8.2	7.3	6.5	5.8	5	4.3	2.7				
2	KC-CL250-KD-6 *	29.3	25	400	55.5	960	250	130		17.5	16.6	16.2	15.1	14.2	13.2	12.3	11.5	10.6	9.8	9	8.1	6.2	4.1	1.4		
3	KC-CL330-KD-6 *#	36.9	33	400	67.5	960	250	130		18.5	17.8	17.4	16.4	15.3	14.4	13.6	12.6	11.7	11	10.2	9.3	7.3	5.1			
4	KC-CL400-KD-6 *#	45	40	400	82	960	250	130		20	19.1	18.6	17.6	16.5	15.6	14.7	13.8	13	12.1	11.3	10.4	8.5	6.5	4		

* Inbuilt with TOP / # Moisture sensor available

DIMENSION & WEIGHT DATA									
No	Model - Type	A max	R max	T max	U max	V1	V2	Auto coupling V	Weight (kg)
1	KC-CL170-KD-6	1363	1375	1128	1248	360	420	250N	552
2	KC-CL250-KD-6	1363	1375	1128	1248	360	420	250N	617
3	KC-CL330-KD-6	1584	1563	1296	1416	410	470	250N	702
4	KC-CL400-KD-6	1584	1563	1296	1416	410	470	250N	735

IDENTIFICATION CODE & POWER CABLE SIZE											
No	Product Code	Model - Type	Power Cable		Control Cable		Auto coupling Model	Auto coupling Code	Base Frame Model	Base Frame Code	Pump Outlet flange type (inch)
			No. of Core	Size in Sq.mm	No. of Core	Size in Sq.mm					
1	611019	KC-CL170-KD-6	4	10	4	1.5	250/250	173442	350 MS	117209	ROUND FLANGE 10"
2	610607	KC-CL250-KD-6	4	10	4	1.5	250/250	173442	350 MS	117209	ROUND FLANGE 10"
3	610608	KC-CL330-KD-6	4	10	4	1.5	250/250	173442	350 MS	117209	ROUND FLANGE 10"
4	611022	KC-CL400-KD-6	4	10	4	1.5	250/250	173442	350 MS	117209	ROUND FLANGE 10"

DIMENSION DRAWING

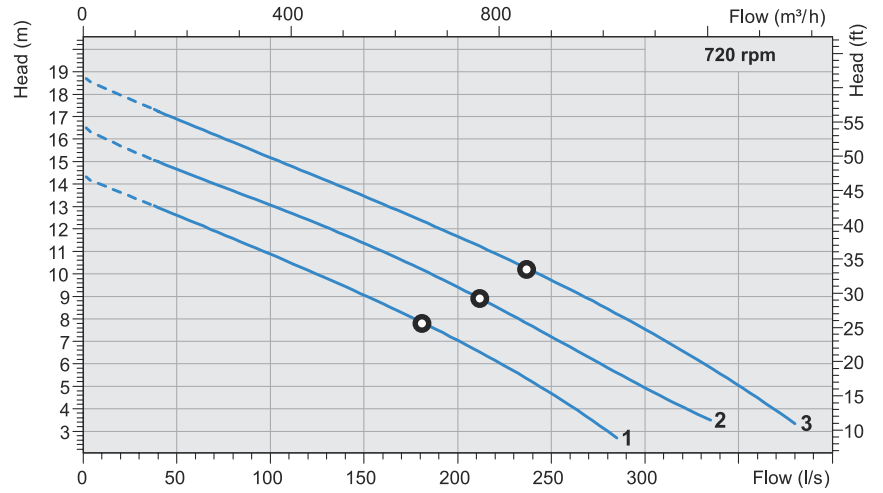


Performance curve tolerances are as per HI : 14.6 / ISO : 9906, Grade - 2B.
In view of continuous developments, the information / descriptions / specifications / illustrations are subject to change without notice.



KC Series

PERFORMANCE CURVES



PERFORMANCE TABLE

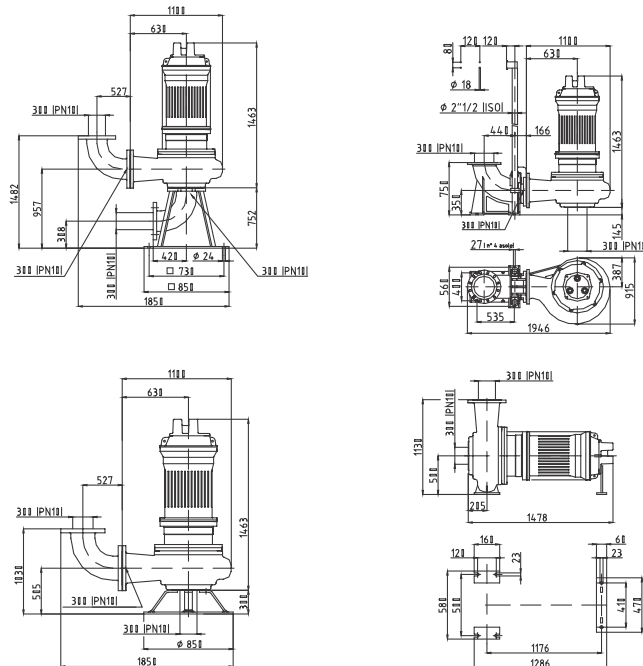
No	Model - Type	P1 kW	P2 kW	Volt	Amp	rpm	Delivery size (mm)	Max.Solid size (mm)	Auto coupling V	Weight (kg)	Flow (l/s)																				
											0	40	60	80	100	120	150	160	200	240	250	280	300	320	350	360	380				
1	KC-CL250-LD-8RR *#	28	25	400	55	720	300	150	300N	890	14.4	12.9	12.2	11.6	10.9	10.2	9.2	8.8	7	5.3	4.8	3.3									
2	KC-CL250-LD-8 *#	28	25	400	55	720	300	150	300N	895	16.5	15	14.3	13.8	13	12.3	11.3	10.9	9.4	7.7	7.3	5.8	4.8	3.9							
3	KC-CL310-LD-8 *#	35	31	400	67	720	300	150	300N	918	18.7	17.2	16.5	15.9	15.2	14.6	13.6	13.2	11.7	10.2	9.7	8.4	7.5	6.5	6	5.5	3.5				

* Inbuilt with TOP / # Moisture sensor available.

IDENTIFICATION CODE & POWER CABLE SIZE

No	Product Code	Model - Type	Power Cable		Control Cable		Auto coupling Model	Auto coupling Code	Base Frame Model	Base Frame Code	Pump Outlet flange type (inch)
			No. of Core	Size in Sq.mm	No. of Core	Size in Sq.mm					
1	611024	KC-CL250-LD-8RR	4	10	4	1.5	300/300	173445	400 MS	117210	ROUND FLANGE 12"
2	611026	KC-CL250-LD-8	4	10	4	1.5	300/300	173445	400 MS	117210	ROUND FLANGE 12"
3	610609	KC-CL310-LD-8	4	10	4	1.5	300/300	173445	400 MS	117210	ROUND FLANGE 12"

DIMENSION DRAWING

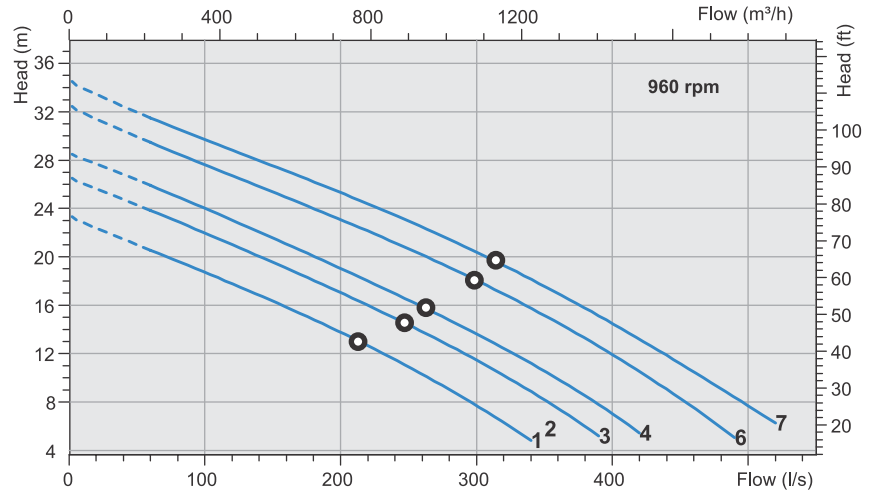


Performance curve tolerances are as per HI : 14.6 / ISO : 9906, Grade - 2B.
In view of continuous developments, the information / descriptions / specifications / illustrations are subject to change without notice.



KC Series

PERFORMANCE CURVES



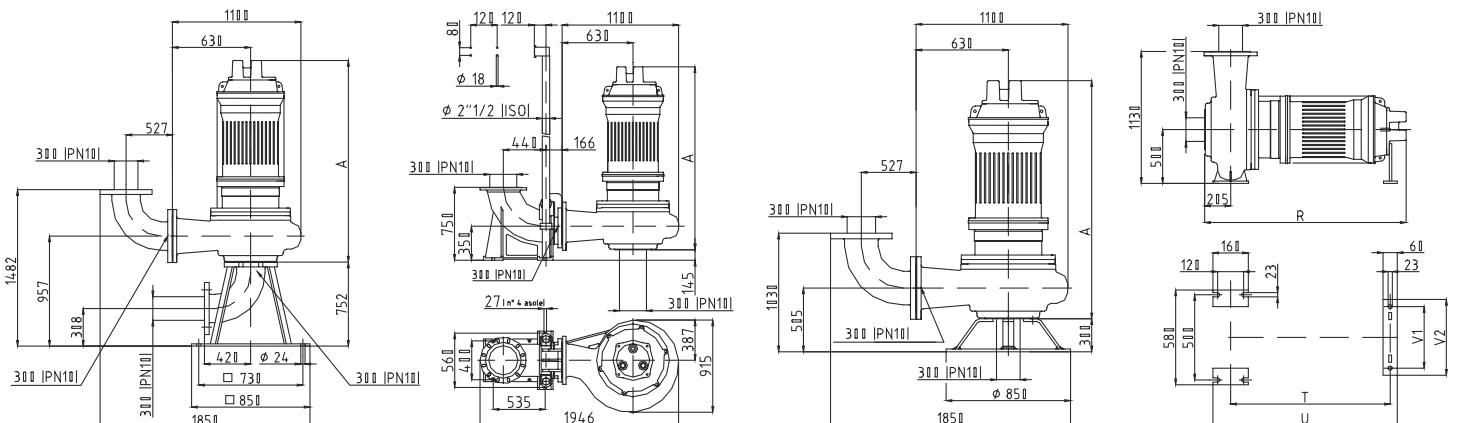
PERFORMANCE TABLE		P1	P2	Volt	Amp	rpm	Delivery size (mm)	Max. Solid size (mm)	I/sec																						
No	Model - Type	kW	kW						m³/h	0	40	60	80	100	120	150	160	200	240	250	280	300	320	350	360	380	400	450	500		
1	KC-CL400-LD-6*#	45	40	400	82	960	300	150	Head in m	23.2	21.5	20.5	19.5	18.6	17.5	16.3	15.8	13.8	11.5	10.9	9	7.8	6.6								
2	KC-CL500-LD-6*#□	55	50	400	100	960	300	150		26.5	24.6	23.7	22.9	21.9	21.1	19.6	19	17.2	15	14.4	12.6	11.4	10.2	8.1	7.5	6.2					
3	KC-CL580-LD-6*#	64	58	400	118	960	300	150		28.5	26.8	25.6	24.9	23.9	23	21.6	21.1	19.1	17	16.5	14.7	13.6	12.5	10.4	10	8.6	7.1				
4	KC-CL690-LD-6*#	75	69	400	138	960	300	150		32.5	30.5	29	28.5	27.8	26.4	25.6	25	23.2	21.2	20.7	19.1	18	17	15	14.6	13.2	12	8.7			
5	KC-CL820-LD-6*#	90	82	400	166	960	300	150		34.5	32.5	31	30.5	29.8	28.7	27.5	27.1	25.2	23.4	22.8	21.4	20.2	19.2	17.4	16.8	15.6	14.3	11	7.7		

* Inbuilt with TOP / # Moisture sensor available / □ Dry Pit Model

DIMENSION & WEIGHT DATA									
No	Model	A max	R max	T max	U max	V1	V2	Auto coupling V	Weight (kg)
1	KC-CL400-LD-6	1593	1608	1306	1416	410	470	300N	910
2	KC-CL500-LD-6	1593	1608	1306	1416	410	470	300N	975
3	KC-CL580-LD-6	1593	1608	1306	1416	410	470	300N	1040
4	KC-CL690-LD-6	1773	1788	1486	1596	508	568	300N	1125
5	KC-CL820-LD-6	1773	1788	1486	1596	508	568	300N	1198

IDENTIFICATION CODE & POWER CABLE SIZE											
No	Product Code	Model - Type	Power Cable		Control Cable		Auto coupling Model	Auto coupling Code	Base Frame Model	Base Frame Code	Pump Outlet flange type (inch)
			No. of Core	Size in Sq.mm	No. of Core	Size in Sq.mm					
1	611028	KC-CL400-LD-6	4	10	4	1.5	300/300	173445	400 MS	117210	ROUND FLANGE 12"
2	611030	KC-CL500-LD-6	4	16	4	1.5	300/300	173445	400 MS	117210	ROUND FLANGE 12"
3	611031	KC-CL580-LD-6	4	16	4	1.5	300/300	173445	400 MS	117210	ROUND FLANGE 12"
4	610610	KC-CL690-LD-6	4	16	4	1.5	300/300	173445	400 MS	117210	ROUND FLANGE 12"
5	610611	KC-CL820-LD-6	4	25	4	1.5	300/300	173445	400 MS	117210	ROUND FLANGE 12"

DIMENSION DRAWING

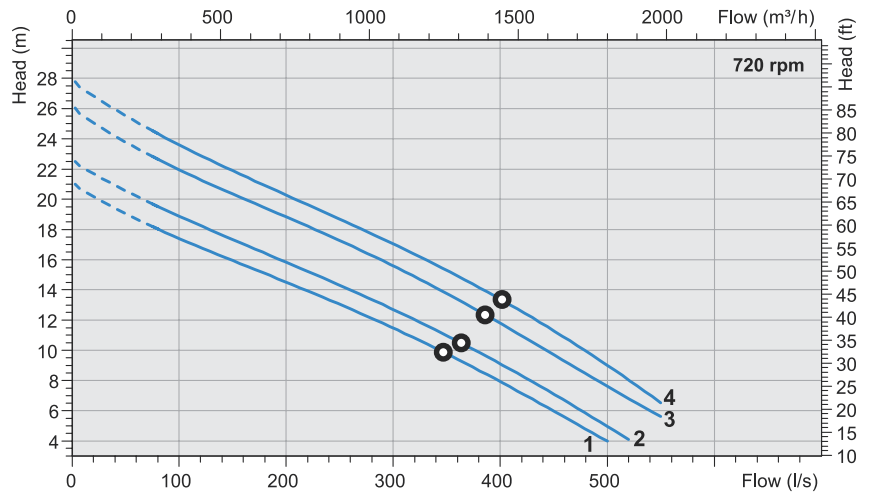


Performance curve tolerances are as per HI : 14.6 / ISO : 9906, Grade - 2B.
 In view of continuous developments, the information / descriptions / specifications / illustrations are subject to change without notice.



KC Series

PERFORMANCE CURVES



PERFORMANCE TABLE

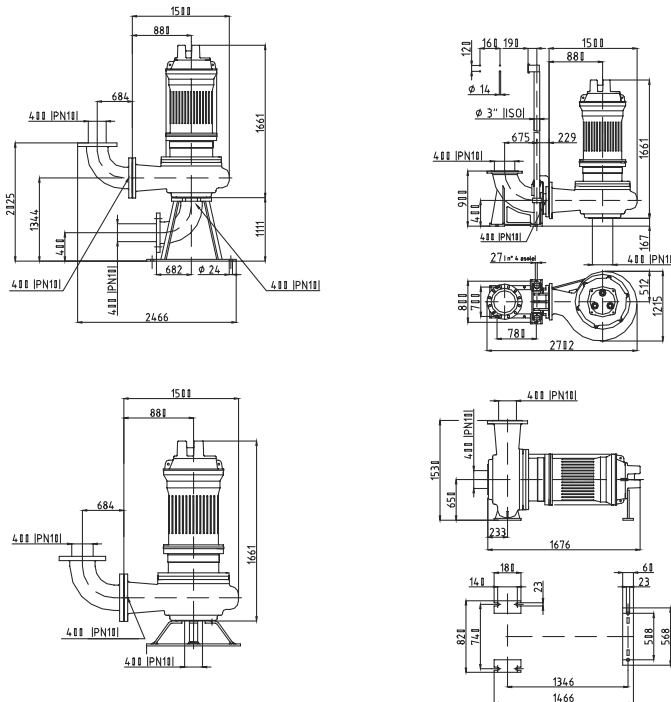
No	Model - Type	P1 kW	P2 kW	Volt	Amp	rpm	Delivery size (mm)	Max.Solid size (mm)	Auto coupling V	Weight (kg)	Flow (l/s)												
											0	80	100	150	200	250	300	350	400	450	500	550	600
1	KC-CL450-ND-8*#□	50	45	400	94	720	400	165	400N	1560	21	18.1	17.4	15.9	14.5	13.1	11.4	9.7	7.8	6	4		
2	KC-CL530-ND-8*#	58	53	400	110	720	400	165	400N	1590	22.5	19.5	18.9	17.3	15.8	14.3	12.7	11	9.1	7.1	5.1		
3	KC-CL630-ND-8*#	70	63	400	130	720	400	165	400N	1630	26	22.6	21.9	20.3	18.8	17.2	15.5	13.7	11.8	9.8	7.7	5.8	
4	KC-CL720-ND-8*#□	79	72	400	148	720	400	165	400N	1670	28	24.2	23.6	21.9	20.3	18.8	17.1	15.2	13.3	11.2	9.1	7	

* Inbuilt with TOP / # Moisture sensor available / □ Dry Pit Model

IDENTIFICATION CODE & POWER CABLE SIZE

No	Product Code	Model - Type	Power Cable		Control Cable		Auto coupling Model	Auto coupling Code	Base Frame Model	Base Frame Code	Pump Outlet flange type (inch)
			No. of Core	Size in Sq.mm	No. of Core	Size in Sq.mm					
1	610951	KC-CL450-ND-8	4	25	4	1.5	400/400	173443	515 MS	117211	ROUND FLANGE 16"
2	610612	KC-CL530-ND-8	4	25	4	1.5	400/400	173443	515 MS	117211	ROUND FLANGE 16"
3	610954	KC-CL630-ND-8	4	25	4	1.5	400/400	173443	515 MS	117211	ROUND FLANGE 16"
4	610613	KC-CL720-ND-8	4	25	4	1.5	400/400	173443	515 MS	117211	ROUND FLANGE 16"

DIMENSION DRAWING



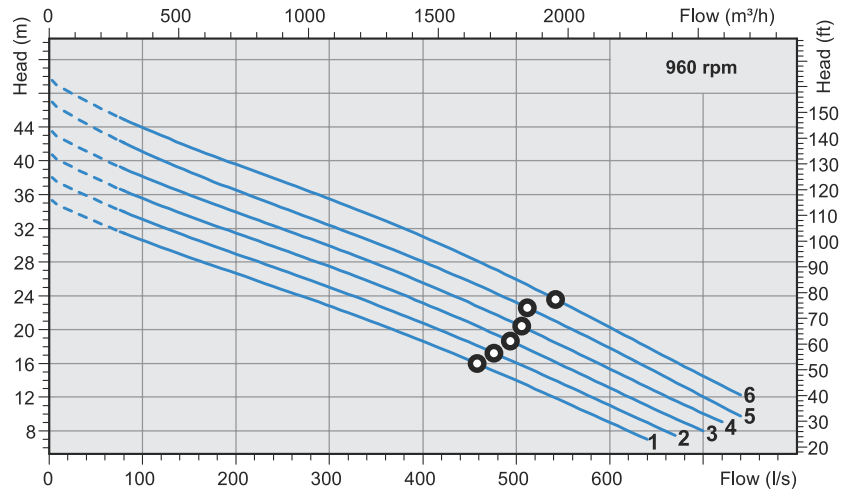
Performance curve tolerances are as per HI : 14.6 / ISO : 9906, Grade - 2B. In view of continuous developments, the information / descriptions / specifications / illustrations are subject to change without notice.



KC Series



PERFORMANCE CURVES



PERFORMANCE TABLE

No	Model - Type	P1 kW	P2 kW	Volt	Amp	Giri rpm	DN	Ø mm	l/sec m³/h	Head (m)														
										0	80	100	150	200	250	300	350	400	450	500	550	600	700	
1	KC - CLA12 - ND-6R	123	112	400	227	960	400	165	H	34.7	31.3	30.4	28.5	26.6	24.8	22.8	20.8	18.6	13.2	13.9	11.3	8.9		
2	KC - CLA12 - ND-6	123	112	400	227	960	400	165	m	38	33.8	32.9	30.8	28.8	27	24.9	22.8	20.7	18.4	16	13.5	11		
3	KC - CLA32 - ND-6	141	132	400	241	960	400	165		41	36.4	35.5	33.2	31.3	29.3	27.3	25.3	23	20.8	18.3	15.9	13.1	7.8	
4	KC - CLA60 - ND-6	169	160	400	287	960	400	165		43.5	39.3	38.3	36	33.7	31.8	29.8	27.7	25.6	24.2	20.7	18.2	15.3	10.1	
5	KC - CLA69 - ND-6	169	160	400	287	960	400	165		47	42	41	38.7	36.7	34.5	32.5	30.4	28.2	25.8	23.2	20.5	17.8	12.2	
6	KC - CLA85 - ND-6	195	185	400	337	960	400	165		50	45.1	44	41.8	39.6	37.5	35.3	33	30.8	28.5	25.9	23.3	20.4	14.7	

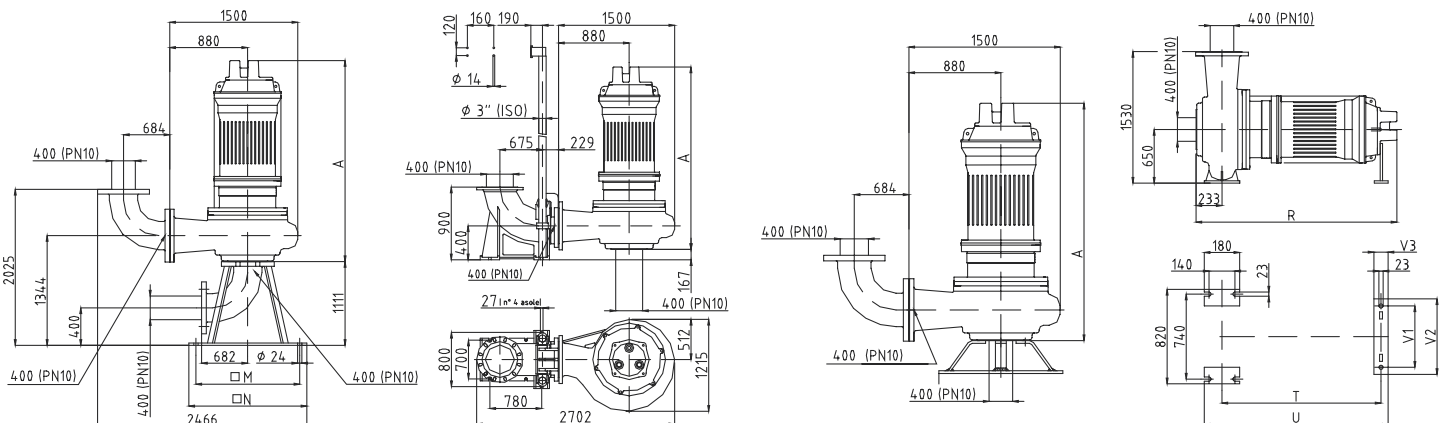
DIMENSION & WEIGHT DATA

No	Model - Type	A max	R max	T max	U max	V1	V2	V	KG
1	KC - CLA12 - ND-6R	1811	1826	1496	1616	508	568	400N	1705
2	KC - CLA12 - ND-6	1811	1826	1496	1616	508	568	400N	1710
3	KC - CLA32 - ND-6	2674	2073	1801	1941	740	800	400N	2230
4	KC - CLA60 - ND-6	2674	2073	1801	1941	740	800	400N	2260
5	KC - CLA69 - ND-6	2674	2073	1801	1941	740	800	400N	2265
6	KC - CLA85 - ND-6	2894	2293	2021	2161	740	800	400N	2465

IDENTIFICATION CODE & POWER CABLE SIZE

No	Product Code	Model - Type	Power Cable		Control Cable		Auto coupling Model	Auto coupling Code	Base Frame Model	Base Frame Code	Pump Outlet flange type (inch)
			No. of Core	Size in Sq.mm	No. of Core	Size in Sq.mm					
1	610956	KC - CLA12 - ND-6R	-	-	-	-	-	-	-	-	-
2	610957	KC - CLA12 - ND-6	4	25	4	1.5	400/400	173443	515 MS	117211	ROUND FLANGE 16"
3	610959	KC - CLA32 - ND-6	4	25	4	1.5	400/400	173443	515 MS	117211	ROUND FLANGE 16"
4	610958	KC - CLA60 - ND-6	-	-	-	-	-	-	-	-	-
5	610614	KC - CLA69 - ND-6	-	-	-	-	-	-	-	-	-
6	605234	KC - CLA85 - ND-6	-	-	-	-	-	-	-	-	-

DIMENSION DRAWING



Performance curve tolerances are as per HI : 14.6 / ISO : 9906, Grade - 2B.
 In view of continuous developments, the information / descriptions / specifications / illustrations are subject to change without notice.

MA Series



MA Series

MA Series submersible sewage pumps are supplied with semi open single channel for handling fibrous material without clogging. It can handle the solids upto 1½" in diameter. These pumps are suitable for pumping municipal wastewater, Industrial wastewater, land fill wastewater, rain water and activated sludge.

Operating parameters

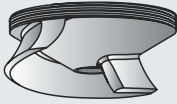
Max Flow	upto 36m ³ /h
Max Head	upto 25.5m
Impeller Type	Single Channel Semi Open
Outlet Size	50mm
Max Solid Size	upto 40mm
Maximum Liquid Temperature	upto 40°C
Service	S1 Duty
No. of Starts / Per Hour	20
Max. immersion depth	20m
pH range	6 to 12
Liquid Viscosity	1 mm ² /s
Liquid Density	1kg/dm ³
Max. Noise level	≤ 70dB

Specifications

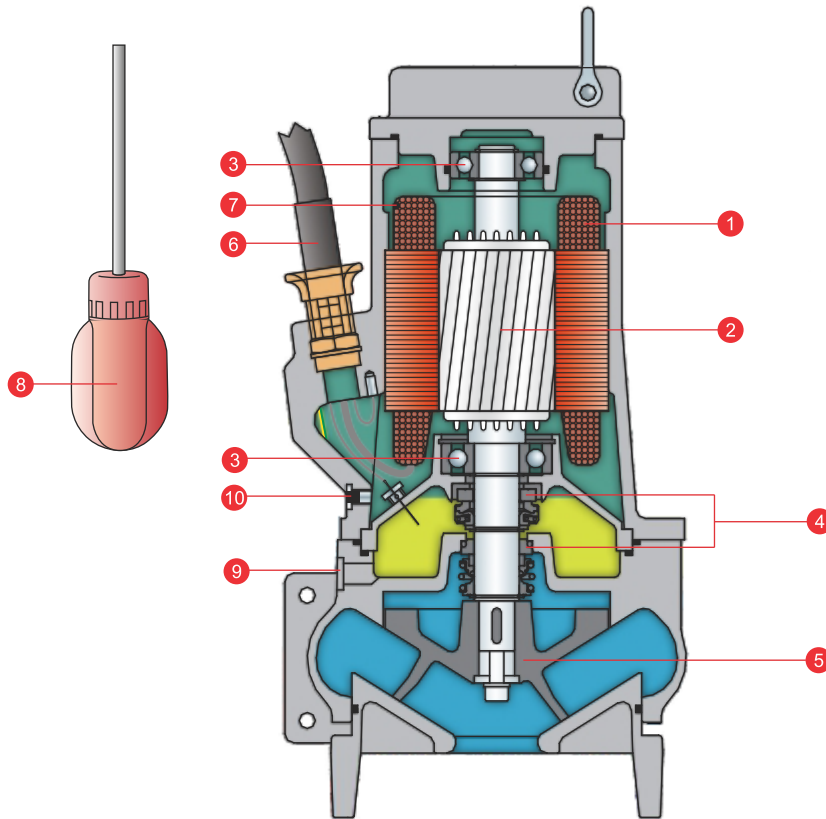
Power Range	1.1 to 2.6kW
Power Supply	380-415V - Three Phase, 50Hz, AC.
Ingress Protection	IP68
Motor	Dry Type Induction motor
Speed	2850 rpm
Class of Insulation	H
Moisture sensor	# Available
Thermal Overload Protector	* Available
Starting Method	Three Phase - DOL & SD
Shaft Seal	Single / Double Mechanical seal
Mechanical Seal Face Combination	Motor Side : Graphite / Alumina Pump Side : Silicon Carbide / Silicon Carbide
Bearing Type	Shielded prelubricated bearing
Cable Type	HO7RNF
Standard Cable Length	10m

Material of Construction

Casing	Cast iron EN-GJL-260
Impeller	Cast iron EN-GJL-260
Motor Housing	Cast iron EN-GJL-260
Shaft	Stainless Steel X30 Cr13 (AISI 420)
Fasteners	Stainless Steel A2 (AISI 304)



Cross Sectional Drawing



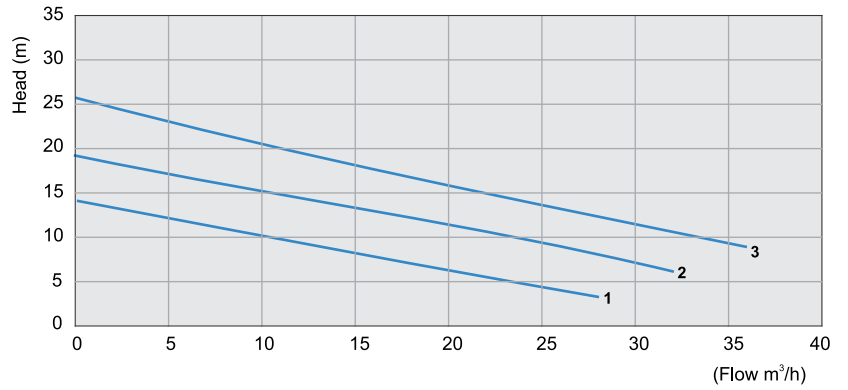
- | | |
|--|---|
| 1. Fully submersible pressure tight electric motor | 6. Cable |
| 2. Rotor Shaft | 7. Thermal over load protector |
| 3. Bearings | 8. Float switch |
| 4. Mechanical seal | 9. Oil inspection plug |
| 5. Single-channel open impeller | 10. Air plug hole for the motor water tightness control |

* The above diagram is only for illustration purpose the actual construction of the product may vary according to the model.

MA Series



PERFORMANCE CURVES



PERFORMANCE TABLE

No	Model - Type	P1 kW	P2 kW	Volt	µF	Amp	Giri rpm	Delivery size (mm)	Max.Solid size (mm)	l/sec									
											m³/h	0	4	12	16	20	24	28	32
1	MA-CS11-DT *#	1.5	1.1	400		3	2850	50	40	Head in m	14.0	12.5	9.5	7.8	6.1	4.6	3.0	-	-
2	MA-CS18-DT *#	2.2	1.85	400		4.5	2850	50	40		19.0	17.3	14.3	12.9	11.3	9.5	7.8	6.0	-
3	MA-CS26-DT *#	3.2	2.6	400		5.8	2850	50	40		25.5	23.3	19.4	17.6	15.9	14.1	12.3	10.5	8.8

* Inbuilt with TOP / # Moisture sensor available

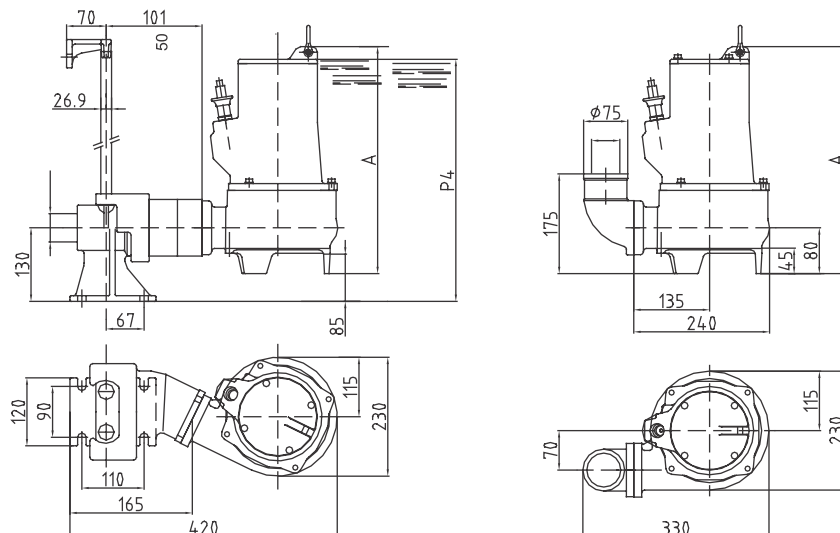
DIMENSION & WEIGHT DATA

No	Model - Type	A max	P4	Auto coupling V	Weight (kg)
1	MA-CS11-DT	417	421	50	30
2	MA-CS18-DT	417	421	50	32
3	MA-CS26-DT	444	447	50	45

IDENTIFICATION CODE & POWER CABLE SIZE

No	Product Code	Model - Type	Power Cable		Control Cable	Auto coupling Model	Auto coupling Code	Base Frame Model	Pump outlet flange code	Pump Outlet flange type (inch)
			No. of Core	Size in Sq.mm						
1	605233	MA-CS11-DT	7	1.5	NA	V50	146296	NA	205774	SQUARE FLANGE 2"
2	605235	MA-CS18-DT	7	1.5	NA	V50	146296	NA	205774	SQUARE FLANGE 2"
3	605239	MA-CS26-DT	7	1.5	NA	V50	146296	NA	205774	SQUARE FLANGE 2"

DIMENSION DRAWING



Performance curve tolerances are as per HI : 14.6 / ISO : 9906, Grade - 2B.
In view of continuous developments, the information / descriptions / specifications / illustrations are subject to change without notice.



Agitator - AG Series

Agitators are used for effective mixing, avoiding deposits and to generate high flow and it can be used without difficulty in all kinds of tank geometries.

Operating parameters

Maximum Liquid Temperature	upto 40°C
Service	S1 Duty
Impeller Type	Vortex Impeller
Application Field	upto 10m
No. of Starts / Per Hour	20
Max. immersion depth	20m
pH range	6 to 12
Liquid Viscosity	1 mm ² /s
Liquid Density	1kg/dm ³
Max. Noise level	≤ 70dB

Specifications

Power Range	1.1 to 22kW
Power Supply	380-415V - Three Phase, 50Hz, AC.
Ingress Protection	IP68
Motor	Dry Type Induction motor
Speed	1450 / 2850 rpm
Class of Insulation	H
Moisture sensor	# Available
Thermal Overload Protector	* Available
Starting Method	Three Phase - DOL & SD
Shaft Seal	Double Mechanical seal
Mechanical Seal Face Combination	Motor Side : Graphite / Alumina Pump Side : Silicon Carbide / Silicon Carbide Silicon Carbide / Silicon Carbide
Bearing Type	Shielded prelubricated bearing
Cable Type	HO7RNF
Standard Cable Length	10m

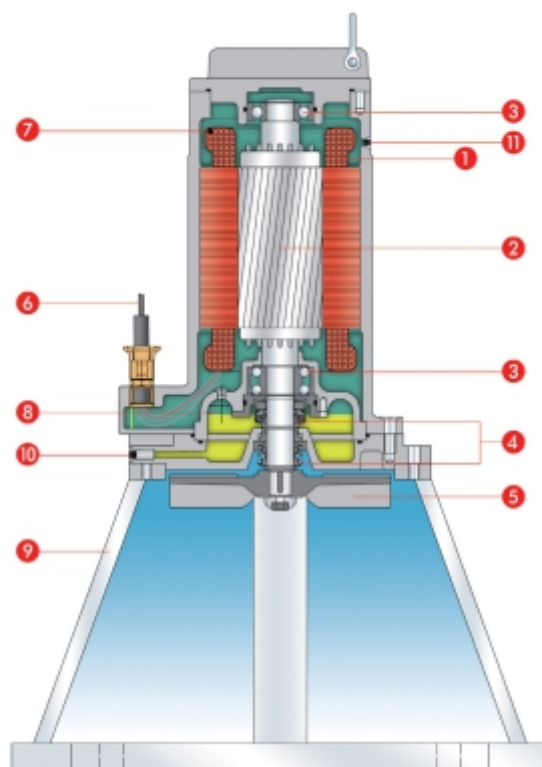
Material of Construction

Stand	Fabricated mild steel
Impeller	Cast iron EN-GJL-260
Motor Housing	Cast iron EN-GJL-260
Shaft	Stainless Steel X30 Cr13 (AISI 420)
Fasteners	Stainless Steel A2 (AISI 304)

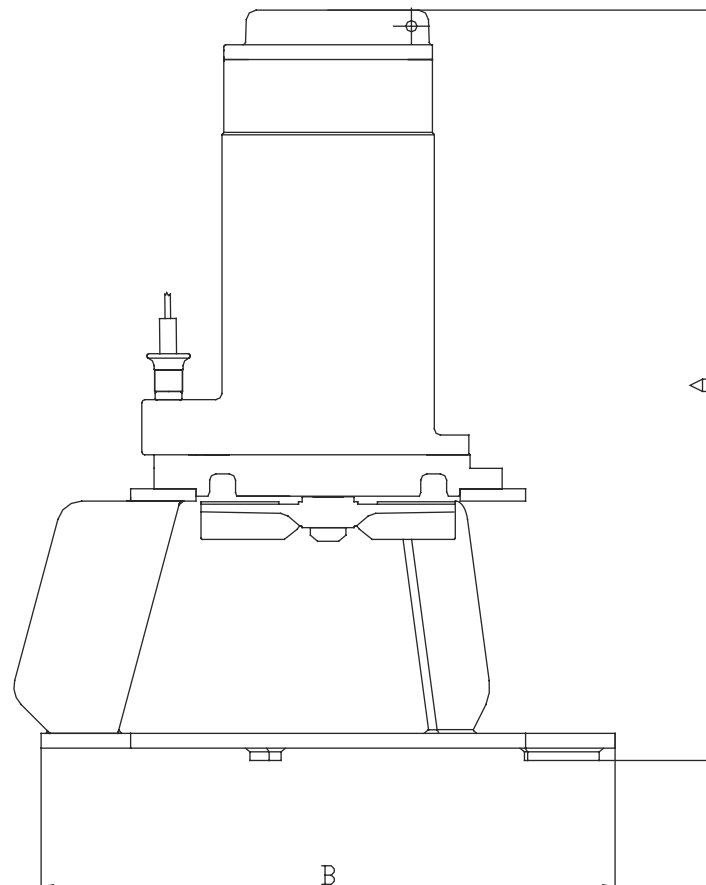
AG Series



Cross Sectional Drawing



- | | |
|--|--|
| 1. Fully submersible pressure tight electric motor | 7. Thermal over load protector |
| 2. Rotor Shaft | 8. Oil chamber probe |
| 3. Bearing | 9. Foot ring |
| 4. Mechanical seal | 10. Oil inspection plug |
| 5. Vortex impeller | 11. Hole for the motor water tightness control |
| 6. Cable | |



PERFORMANCE, DIMENSION & WEIGHT DATA												
No	Model - Type	Product Code	P1 kW	P2 kW	Volt	Amp	µF	Giri rpm	Campo di lavoro Application Field (m)	A mm	B mm	Weight (kg)
1	AG-CV11-T	-	1.4	1.1	400	3.2		2850	2	325	300	18
2	AG-CV110-D-4 *#	606578	12.5	11	400	18		1450	9	800	510	141
3	AG-CV220-D-4 *	605823	26.2	22	400	46		1450	10	900	850	250

* Inbuilt with TOP / # Moisture sensor available

PRODUCT CODE & POWER CABLE SIZE			
No	Model - Type	Power Cable	
		No. of Core	Size in Sq.mm
1	AG-CV11-T	4C	1.5
2	AG-CV110-D-4 *#	7C	2.5
3	AG-CV220-D-4 *	4C	6



MD-TP



Mixers

Submersible mixers are energy efficient suitable for a wide range of applications in industry and municipal treatment plants. They provide the right solution to match mixing tasks for agitating, blending, mixing, dissolving and suspension of solids in industry and municipal treatment plants. TP series are incorporated with gear box.

Operating parameters

	MD Series	TP Series
Flow	upto 1558m ³ /hr	upto 6702m ³ /hr
No.of Blades	2 & 3	3
Impeller Type	Propeller	Propeller
Axial Force	upto 912 N	upto 3725 N
Maximum Liquid Temperature	upto 40°C	upto 40°C
Service	S1 Duty	S1 Duty
No. of Starts / Per Hour	20	20
Max. immersion depth	20m	20m
pH range	6 to 12	6 to 12
Liquid Viscosity	1 mm ² /s	1 mm ² /s
Liquid Density	1kg/dm ³	1kg/dm ³
Max. Noise level	≤ 70dB	≤ 70dB

Technical specification

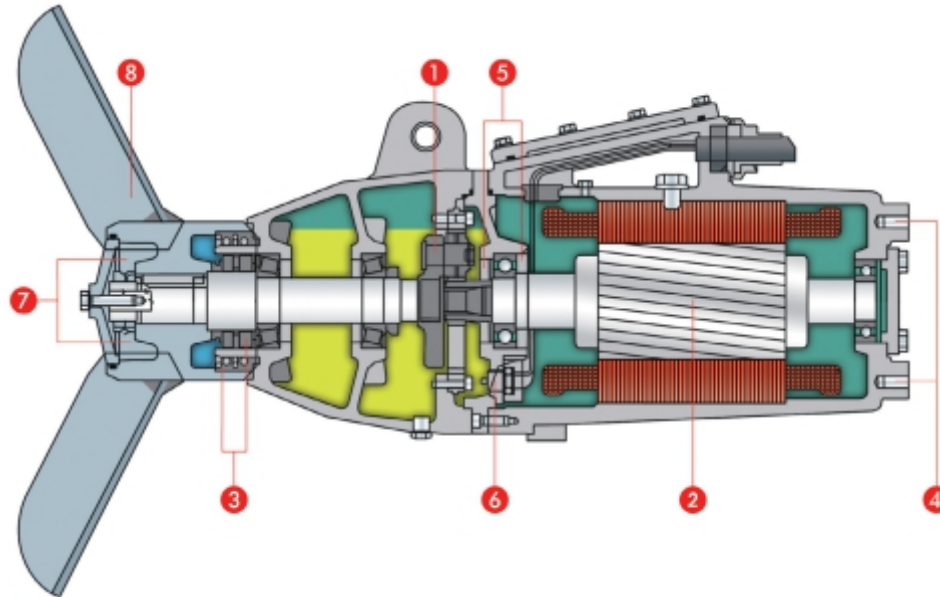
	MD Series	TP Series
Power Range	0.8 to 3.4 kW	3 to 18.5kW
Power Supply	380-415V - Three Phase, 50Hz, AC.	380-415V - Three Phase, 50Hz, AC.
Ingress Protection	IP68	IP68
Motor	Dry Type Induction motor	Dry Type Induction motor
Speed	1450 / 960 rpm	250 / 200 rpm
Class of Insulation	H	H
Moisture sensor	# Available	# Available
Thermal Overload Protector	* Available	* Available
Starting Method	Three Phase - DOL & SD	Three Phase - DOL & SD
Shaft Seal	Single / Double Mechanical seal	Single Mechanical seal
Mechanical Seal Face Combination	Silicon Carbide / Silicon Carbide Lip seal	Silicon Carbide / Silicon Carbide Lip seal
Bearing Type	Shielded prelubricated bearing	Shielded prelubricated bearing
Cable Type	HO7RNF	HO7RNF
Standard Cable Length	10m	10m

Material of Construction

	MD Series	TP Series
Propeller	Stainless Steel 316L	Stainless Steel 316L
Motor Housing	Cast iron EN-GJL-260	Cast iron EN-GJL-260
Shaft	Stainless Steel X30 Cr13 (AISI 420)	Stainless Steel X30 Cr13 (AISI 420)
Fasteners	Stainless Steel A2 (AISI 304)	Stainless Steel A2 (AISI 304)



Cross Section Drawing



- | | |
|--|--|
| <ol style="list-style-type: none"> 1. Long-life planetary transmission in big-volume oil chamber with inspection screw 2. Pressure tight sealed motor. 3. Bearing 4. Galvanic separation of motor housing and motor bracket prevents galvanic corrosion 5. Shaft seal motor housing: lip seal protection with mechanical seal | <ol style="list-style-type: none"> 6. Moisture sensor 7. Propeller shaft seals.
Two level sealing system for optimum protection:
- 2 lip seals in the propeller hub
- silicon carbide mechanical seal on propeller shaft.
Provides optimum protection against seeping liquid 8. Hydraulically optimized self-cleaning propeller |
|--|--|

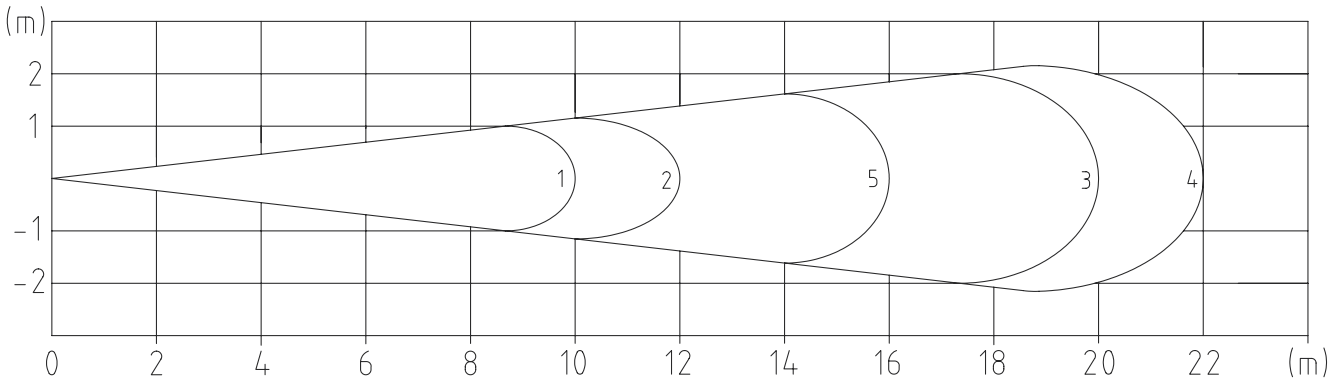
MD



MD series - Mixer with Direct Transmission



PERFORMANCE CURVES



PERFORMANCE TABLE										
No	Model - Type	Product Code	P1 kW	P2 kW	Volt	Amp	Giri rpm	Pale - Blades	Spinta assiale - Axial force N	Portata - Flow m³/h
1	MD-RP08-T-4 *#	604823	1.1	0.8	400	2.8	1450	3	152	320
2	MD-RP12-T-4 *#	604824	1.7	1.2	400	3.6	1450	3	210	372
3	MD-RP26-T-4 *#	604825	3.4	2.6	400	6.2	1450	2	404	1275
4	MD-RP34-T-4 *#	604827	4.3	3.4	400	7.6	1450	2	912	1558
5	MD-RP21-T-4 *#	604826	3.1	2.1	400	5.7	960	2	206	590

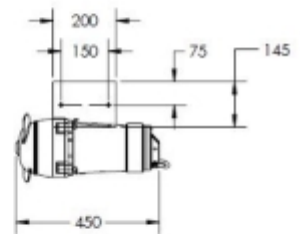
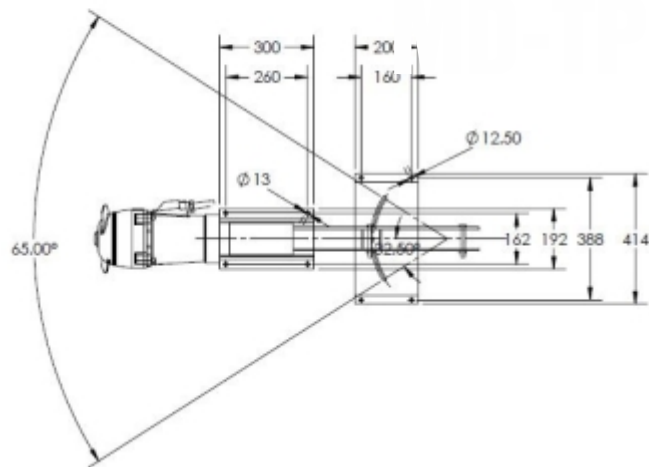
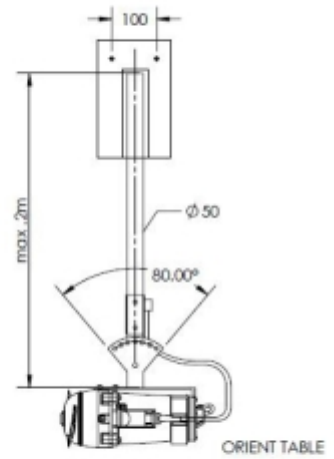
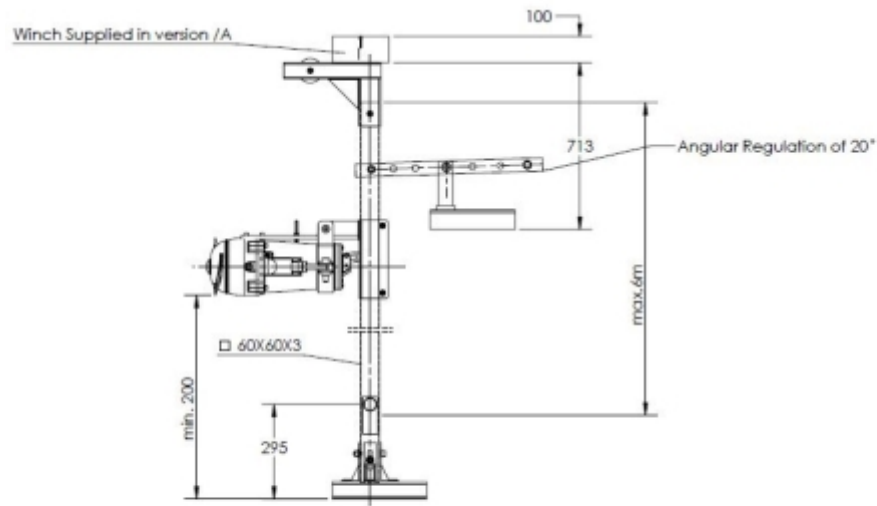
* Inbuilt with TOP / # Moisture sensor available

PRODUCT CODE & POWER CABLE SIZE				
No	Product Code	Model - Type	Power Cable	
			No. of Core	Size in Sq.mm
1	604823	MD-RP08-T-4 *#	4C	25
2	604824	MD-RP12-T-4 *#	4C	25
3	604825	MD-RP26-T-4 *#	4C	25
4	604827	MD-RP34-T-4 *#	4C	25
5	604826	MD-RP21-T-4 *#	4C	25

Performance curve tolerances are as per HI : 14.6 / ISO : 9906, Grade - 2B.
 In view of continuous developments, the information / descriptions / specifications / illustrations are subject to change without notice.



DIMENSION DRAWINGS

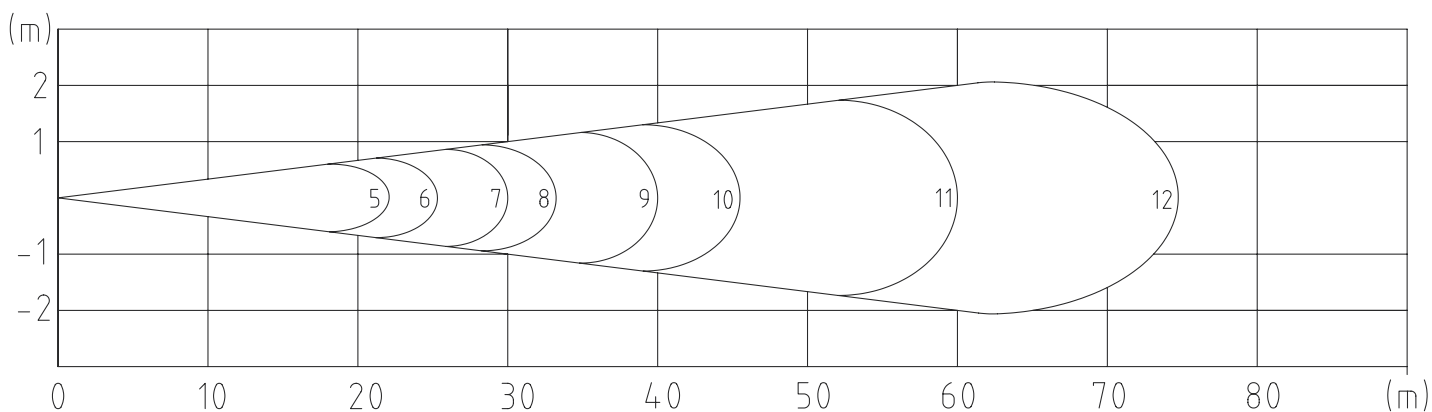




TP Series - Mixer with Planetary Gear Box



PERFORMANCE CURVES



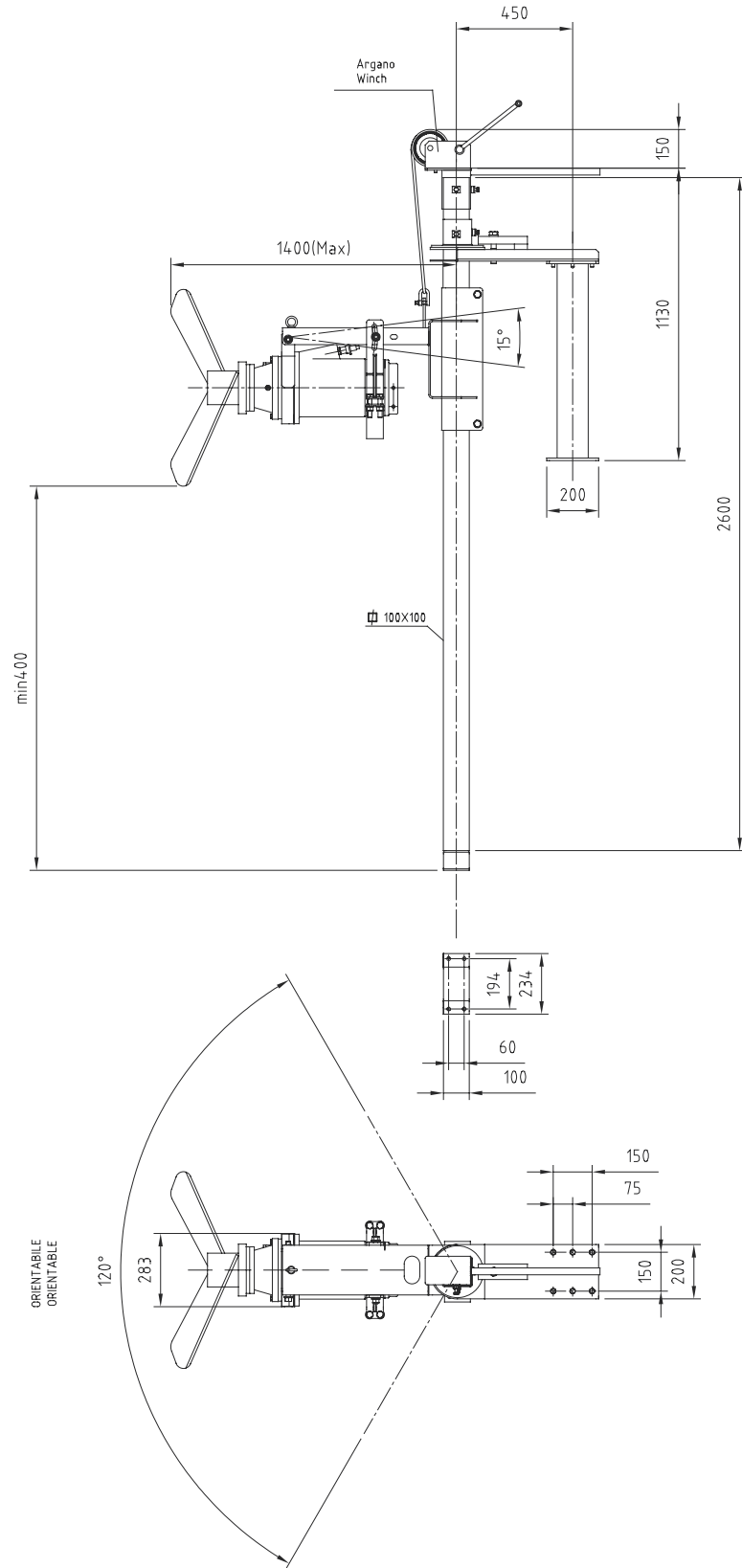
PERFORMANCE TABLE										
No	Model - Type	Product Code	P1 kW	P2 kW	Volt	Amp	Giri rpm	Pale - Blades	Spinta assiale - Axial force N	Portata - Flow m³/h
1	TP-RP30-T-4*	605706	3.5	3	400	7,2	250	3	498	1462
2	TP-RP40-T-4*	605707	4.7	4	400	7,5	250	3	742	2000
3	TP-RP55-D-4*	605708	6.4	5.5	400	10,8	250	3	800	2162
4	TP-RP75-D-4*	605709	8.7	7.5	400	15,6	250	3	1131	2821
5	TP-RP90-D-4*	605710	10.1	9	400	18	200	3	1265	3013
6	TP-RP110-D-4*	605711	12.5	11	400	23	200	3	1475	3286
7	TP-RP150-D-4*	605712	16.7	15	400	30	200	3	2859	5489
9	TP-RP185-D-4*	605713	21	18.5	400	36	200	3	3725	6702

* Inbuilt with TOP

Performance curve tolerances are as per HI : 14.6 / ISO : 9906, Grade - 2B.
 In view of continuous developments, the information / descriptions / specifications / illustrations are subject to change without notice.



DIMENSION DRAWINGS



* In view of continuous developments, the information / descriptions / specifications / illustrations are subject to change without notice.

JET Series



Jet Series

Jet type aerator is a submersible pump combined with a venturi and jet based diffuser. The primary purpose is to transfer oxygen to the liquid or sludge. Jet aerators are easily configured into any basin geometry including circular, rectangular, looped reactors and sloped wall basins. In this aerator the aspirated air mixes with water and is ejected through the diffuser simultaneously agitating and aerating the ponded water. The mixed air water is ejected powerfully in one direction which effectively agitates the water across a wide area.

Operating parameters

Oxygen Transfer	0.98 - 16.2 kg O ₂ /hr
Maximum Liquid Temperature	upto 40°C
Impeller Type	Mono channel Impeller
Maximum Air Intake	upto 110 l/s
Service	S1 Duty
No. of Starts / Per Hour	20
Max. immersion depth	20m
pH range	6 to 12
Liquid Viscosity	1 mm ² /s
Liquid Density	1kg/dm ³
Max. Noise level	≤ 70dB

Specifications

Power Range	2.2 to 14 kW
Power Supply	380-415V - Three Phase, 50Hz, AC.
Ingress Protection	IP68
Motor	Dry Type Induction motor
Speed	1450 rpm
Class of Insulation	H
Moisture sensor	# Available
Thermal Overload Protector	* Available
Starting Method	Three Phase - DOL & SD
Shaft Seal	Single / Double Mechanical seal
Mechanical Seal Face Combination	Motor Side : Graphite / Alumina Pump Side : Silicon Carbide / Silicon Carbide
Bearing Type	Shielded prelubricated bearing
Cable Type	HO7RNF
Standard Cable Length	10m

Material of Construction

Casing	Cast iron EN-GJL-260
Impeller	Cast iron EN-GJL-260
Motor Housing	Cast iron EN-GJL-260
Shaft	Stainless Steel X30 Cr13 (AISI 420)
Fasteners	Stainless Steel A2 (AISI 304)



AR Series

In diffuser type aerators, the liquid flow generated by an impeller causes negative pressure to form on the impeller vanes and draw in air from atmosphere. The aspirated air mixed with water viciously by mechanical forces inside the impeller and guide vanes transform into tiny bubbles. Moreover, the mixed flow of air and water is evenly discharged in multiple directions along the circumference. The compounded action of the air lift and convective currents that are generated in the process makes aeration and agitation very efficient and increases the amount of oxygen dissolved in the water

Operating parameters

Oxygen Transfer	1 - 9 kg O ₂ /hr
Maximum Liquid Temperature	upto 40°C
Impeller Type	Semi Open Impeller
Maximum Air Intake	upto 125m ³ /hr
Service	S1 Duty
No. of Starts / Per Hour	20
Max. immersion depth	20m
pH range	6 to 12
Liquid Viscosity	1 mm ² /s
Liquid Density	1kg/dm ³
Max. Noise level	≤ 70dB

Specifications

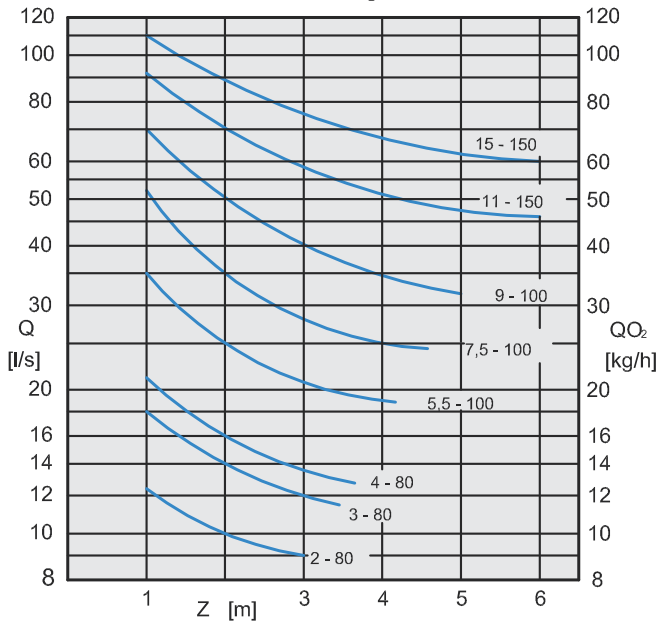
Power Range	1.6 to 5 kW
Power Supply	380-415V - Three Phase, 50Hz, AC.
Ingress Protection	IP68
Motor	Dry Type Induction motor
Speed	1450 / 2850 rpm
Class of Insulation	H
Moisture sensor	# Available
Thermal Overload Protector	* Available
Starting Method	Three Phase - DOL & SD
Shaft Seal	Single / Double Mechanical seal
Mechanical Seal Face Combination	Motor Side : Graphite / Alumina Pump Side : Silicon Carbide / Silicon Carbide
Bearing Type	Shielded prelubricated bearing
Cable Type	HO7RNF
Standard Cable Length	10m

Material of Construction

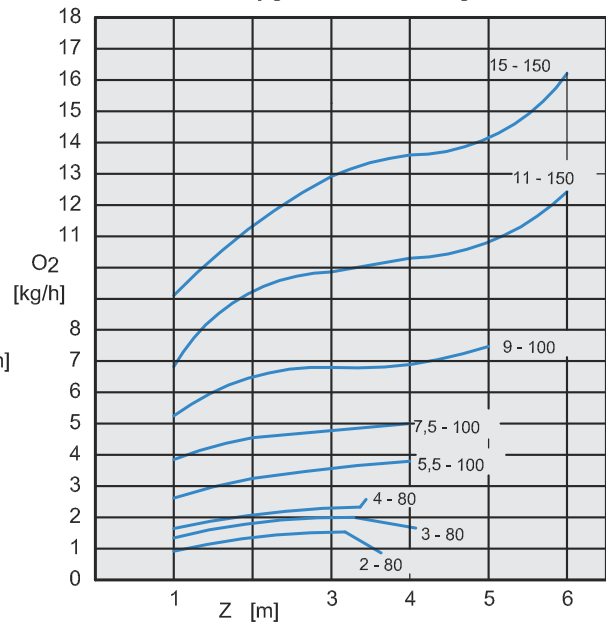
Impeller	Mild Steel
Motor Housing	Cast iron EN-GJL-260
Shaft	Stainless Steel X30 Cr13 (AISI 420)
Fasteners	Stainless Steel A2 (AISI 304)

JET Series

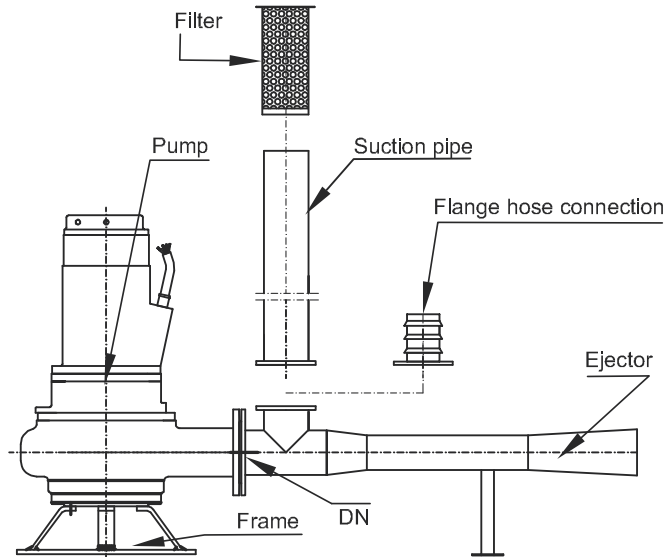
Air Intake diagram



Oxygen transfer diagram



Q = Air capacity - [l/s] Z = Submergence - [m] QO₂ = Oxygen In air capacity - [kg/h] O₂ = Oxygen transfer - [kg/h] Curves established for liquid density 1- viscosity 1 mm²/s- temperature 20° C.



Indicative selection
 $P = 0,03 \times V$
 P = Motor rating [kW]
 V = Volume of liquid sump [m³]

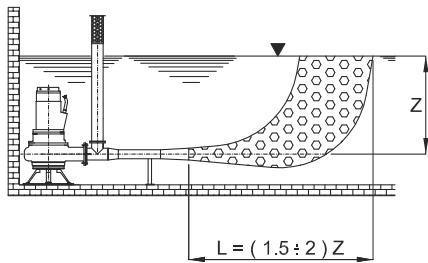
Jet Type Aerator			
Model	Min Max water depth(m)	Maximum intake of air(l/s)	Oxygen transfer capacity(kg/h)
AR-CJ22-FT	1-Mar	12	0.98-1.5
AR-CJ35-FT	1-3.5	18	1.5-2
AR-CJ42-FT	1-3.7	21	1.7-2.3
AR-CJ50-GD	1-4.2	35	2.6-3.8
AR-CJ75-GD	1-4.6	52	3.9-5
AR-CJ90-GD	1-May	70	5.3-7.5
AR-CJ110-ID	1-Jun	90	6.8-12.5
AR-CJ140-ID	1-Jun	110	9-16.2

Performance curve tolerances are as per HI : 14.6 / ISO : 9906, Grade - 2B.
 In view of continuous developments, the information / descriptions / specifications / illustrations are subject to change without notice.

Assembly Pump + Ejector		Composition												
		Electric Pump								Ejector		Accessories		
		Pump Type	Discharge		Motor rating	Voltage	Current	RPM	Startup		Ejector Type	Suction Pipe	Filter	Hose Connection
DN	[kW]		[V]	[A (400V)]	n	Direct	Δ							
JET 2-80	612069	MC-CC22-FT-4		2,2	400	5,4	1450	Δ		80 - 55	S 80	F 80	HC 80	FR 80
JET 3-80	600040	MC-CC35-FT-4	80	3,5		6,6	1450	Δ						
JET 4-80	601579	MC-CC42-FT-4		4,2		9,9	1450	Δ	Δ					
JET 5,5-100	602179	MC-CC50-GD-4		5	400	11	1450	Δ	Δ	100 - 63	S 100	F 100	HC 100	FR 100
JET 7,5-100	612704	MC-CC75-GD-4	100	7,5		16	1450	Δ	Δ					
JET 9-100	613165	MC-CC90-GD-4		9		20	1450	Δ	Δ					
JET 11-150	616407	MC-CC120-ID-4		11		24	1450	Δ	Δ					
JET 15-150	624606	MC-CC140-ID-4	150	14	30	1450	Δ	Δ	Δ	150 - 95	S 150	F 150	HC 150	FR 150

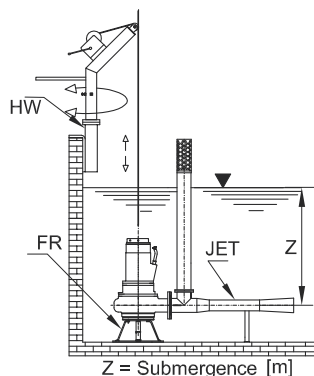
OVERALL DIMENSIONS [mm]														ACCESSORIES					
Aerator Type	DN1	DN2	A	B	C	D	E	F	G	H	I	L	M	N	Frame	Hoist & Winch	Hose Connection with Flange	Suction pipe	Air Intake Filter
JET 2-80				630	390					420			240		FR 80	HW 80	HCF 80	S 80	AIF 80
JET 3-80	80	80	240	670	430	88,9	200	360	632	460	118	1016	280	360	FR 80	HW 80	HCF 80	S 80	AIF 80
JET 4-80				800	413														
JET 5,5-100				806	566														
JET 7,5-100	100	100	826	586	114	260	421	525	345	457	FR 100	HW 100	HCF 100	S 100	AIF 100				
JET 9-100			945	603															
JET 11-150	150	150	342	1019	677	168	395	491	943	516	202	1592	370	468	FR 150	HW 150	HCF 150	S 150	AIF 150
JET 15-150																			

Jet shape

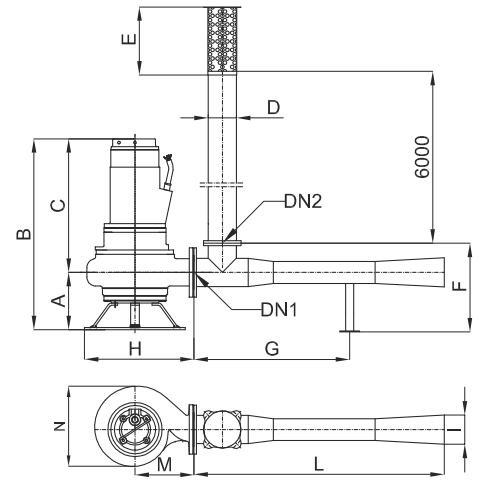


Z = Submergence [m]

Possible Installations

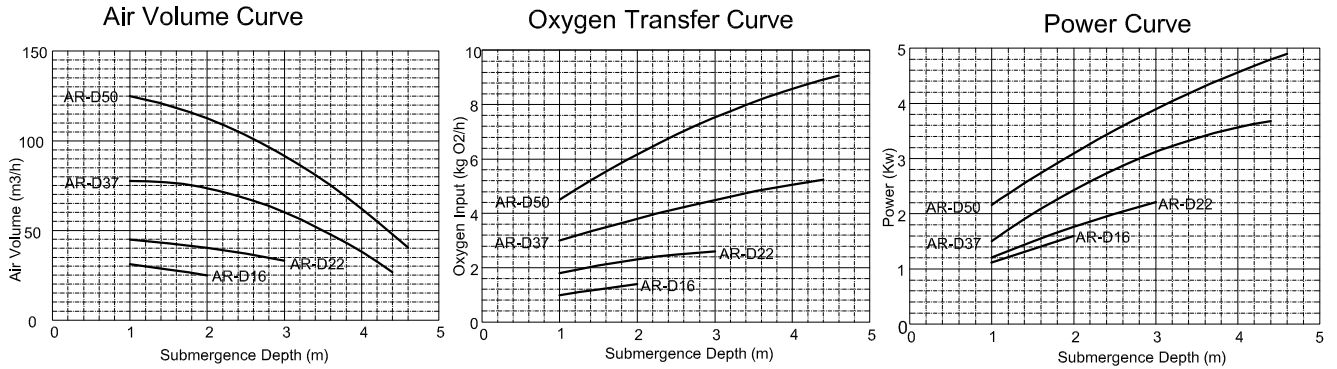


Z = Submergence [m]

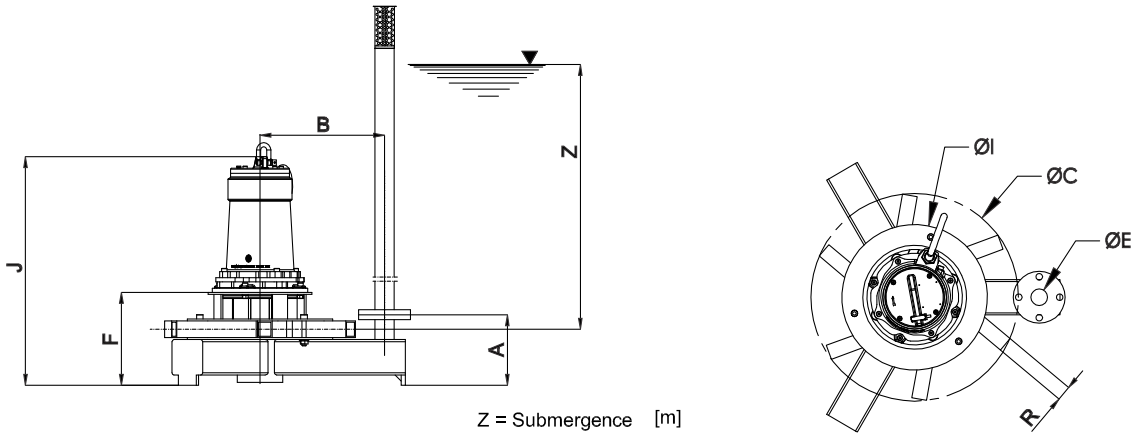


AR Series

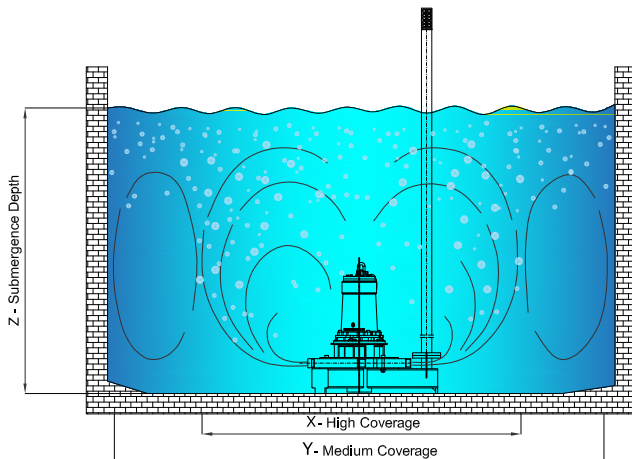
Submersible Pumps with Diffuser type Aerator Device



Model Name	Power (kw)	Min-Max Water depth (m)	Air Inlet pipe diameter (mm)	Maximum Intake of Air (m ³ /h)	Oxygen Transfer Capacity (Kg O ₂ /h)	Weight (kg)
AR-D16	1.6	1 - 2	40	30	1.4 - 1	65
AR-D22	2.2	1 - 3	50	45	2.6 - 1.8	75
AR-D37	3.7	1 - 4.4	65	77	5.2 - 3	76
AR-D50	5	1 - 4.6	65	125	9 - 4.5	78



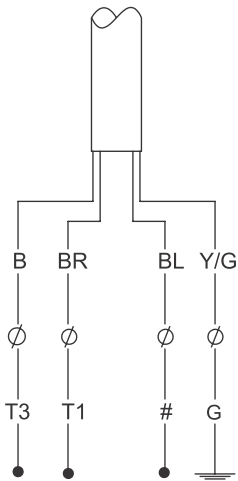
Sl.No	Model Name	A	B	C	E	F	I	J	R
1	AR-D16	170	300	350	40	219	484	550	36
2	AR-D22	170	310	400	50	220	481	613	36
3	AR-D37	170	310	400	50	220	481	613	36
4	AR-D50	225	370	400	65	260	720	702	45



Sl.No	Model Name	High Coverage X (m)	Medium Coverage Y (m)	Submergence Z (m)
1	AR-D16	1.2	2.6	2
2	AR-D22	2.5	5.2	3
3	AR-D37	3.5	6	4.4
4	AR-D57	4	8.2	4.6

Cable Connection - Single Phase

Inbuilt Capacitor

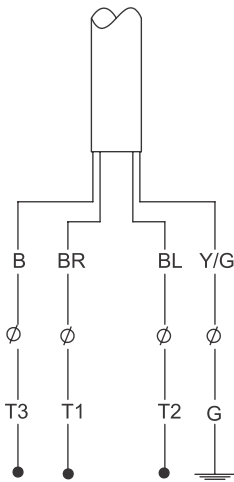


PUMP CABLE
B = BLACK
BR = BROWN
BL = BLUE
Y/G = YELLOW / GREEN

TERMINAL LEADS
T3 = COMMON
T1 = MAIN WINDING
= DUMMY
G = GROUND / EARTH

To
Panel
POWER CABLE

External Capacitor



PUMP CABLE
B = BLACK
BR = BROWN
BL = BLUE
Y/G = YELLOW / GREEN

TERMINAL LEADS
T3 = COMMON
T1 = MAIN WINDING
T2 = AUXILIARY WINDING
G = GROUND / EARTH

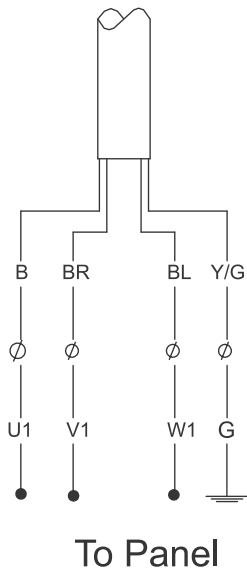
To
Panel
POWER CABLE

T1 Should be Connected to Line or Supply.
T3 Should be Connected to Neutral Supply.
Capacitor should be connected across T1 & T2.

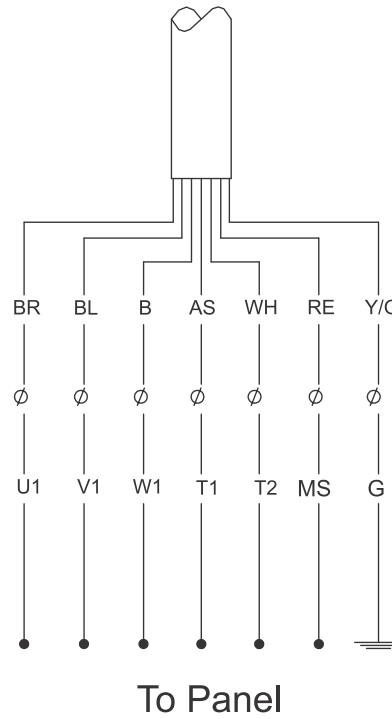
Cable Connection

Cable Connection - Direct On Line (DOL)

4 CORE SINGLE CABLE



7 CORE SINGLE CABLE



CABLE COLOR CODE	
BR	= BROWN
BL	= BLUE
B	= BLACK
AS	= ASH
WH	= WHITE
RE	= RED
Y/G	= YELLOW / GREEN
B1, B2, B3, B4, B5, B6, B7	= BLACK

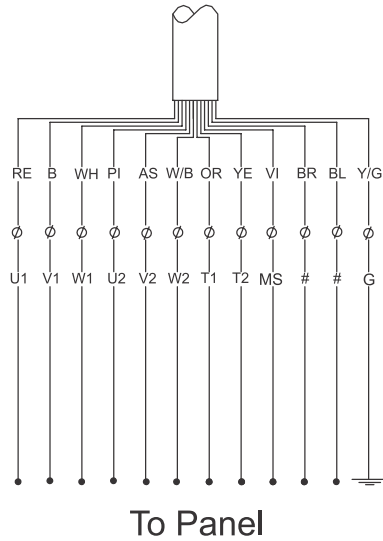
DELTA/STAR CONNECTION

TERMINAL LEADS	
U1, V1, W1	= LINE
T1, T2	= TOP (Thermal overload protector)
MS	= MOISTURE SENSOR
G	= GROUND / EARTH

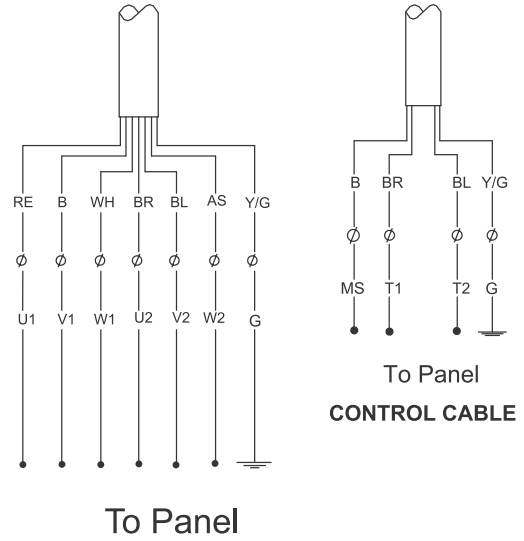
* Moisture sensor is optional. If needed connect it to Red.

Cable Connection - Star Delta (λ/Δ)

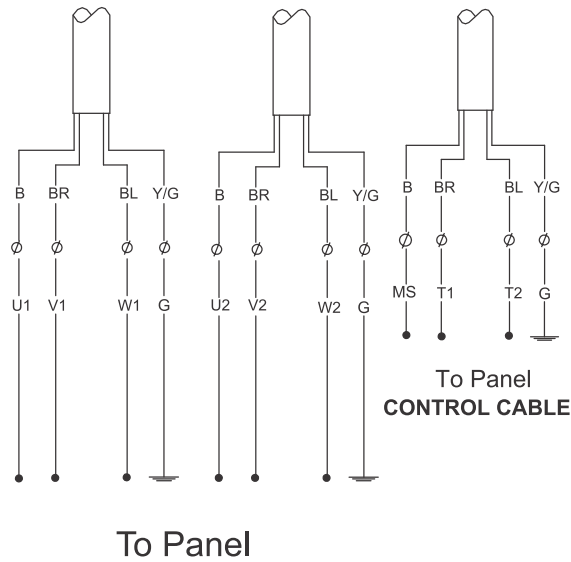
12 CORE SINGLE CABLE



7 CORE + 4 CORE TWO CABLE



4 CORE THREE CABLE



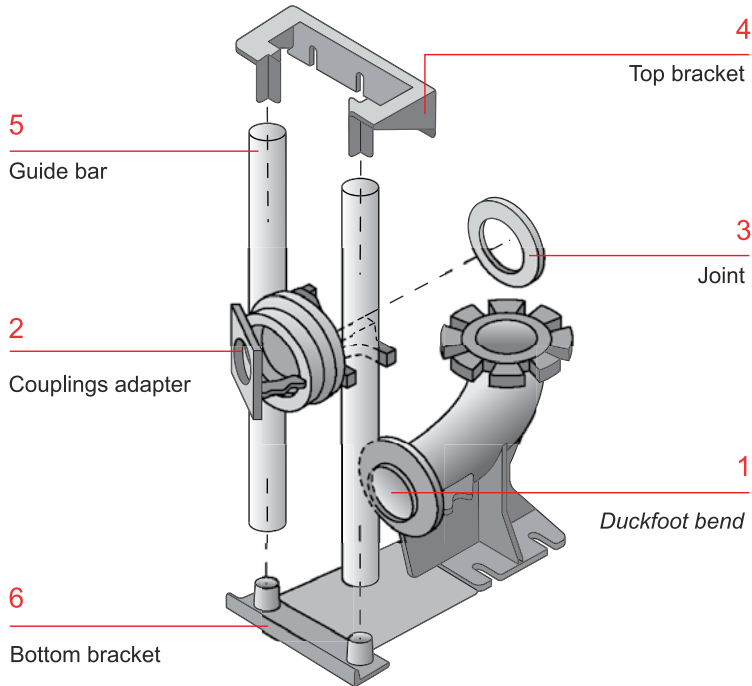
TERMINAL LEADS
U1, V1, W1, U2, V2, W2 = LINE
MS = MOISTURE SENSOR
T1, T2 = TOP (Thermal overload protector)
G = GROUND / EARTH
= DUMMY

* Moisture sensor is optional. If needed connect it to Violet in 12 core cable or Black in 4 core (Control) Cable.

CABLE COLOR CODE
BR = BROWN
B = BLACK
WH = WHITE
BL = BLUE
AS = ASH
W/B = WHITE/BLACK
OR = ORANGE
YE = YELLOW
VI = VIOLET
PI = PINK
RE = RED
Y/G = YELLOW/GREEN

Accessories

Low Level Coupling



Speedy connection of the pump to inlet piping complete with elbow, pump adapter, brackets for guide rails (rails except), gaskets and screws.

GENERAL FEATURES		
Type - Model	Dimensions	Guide rails dimensions
GR40/2	1" 1/2 - 2"	Ø 26.9 mm
GR50N	2" - 2"	Ø 26.9 mm
GR50	DN 50/50	Ø 26.9 mm
GR50K	DN 50/50	Ø 42.4 x 3.2 mm
GR65	DN 65/65	Ø 42.4 x 3.2 mm
GR80	DN 80/80	Ø 60.3 x 3.65 mm
GR80N	DN 80 PN10	Ø 60.3 x 3.65 mm
GR100	DN 100/100	Ø 60.3 x 3.65 mm
GR100N	DN 100/100	Ø 60.3 x 3.65 mm
GR150/150K	DN 150/150	Ø 60.3 x 3.65 mm
GR200/150K	DN 200/150	Ø 2" 1/2
GR200/200K	DN 200/200	Ø 2" 1/2
GR250/200K	DN 250/200	Ø 2" 1/2
GR250/250K	DN 250/250	Ø 2" 1/2
GR300/250K	DN 300/250	Ø 2" 1/2
GR300/300K	DN 300/300	Ø 2" 1/2
GR400/350K	DN 400/350	Ø 3"
GR400/400K	DN 400/400	Ø 3"

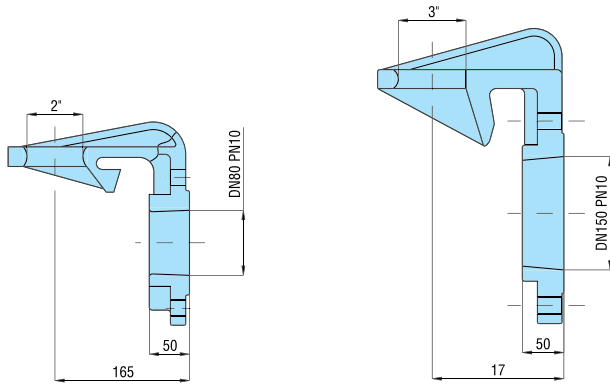
Materials

Foot, bracket: cast iron GS400-12 UN14544

Adapter: spheroidal cast iron GS400-12 UNI 4544.

Other materials on request.

Adapters



Pump adapters for couplings already installed

GENERAL FEATURES		
Type - Model	Dimensions	Guide rails dimensions
C80	DN 80	Ø 2"
C100	DN 100	Ø 3"
C150/100-3	DN 150/100 R3"	Ø 3"
C150-3	DN 150 R3"	Ø 3"

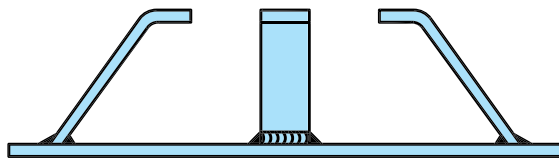
Lifting Chain



LENGHT			
6 m	8 m	10 m	12 m

Warm galvanized steel lifting chain. Other diameters available on request

Base Stand

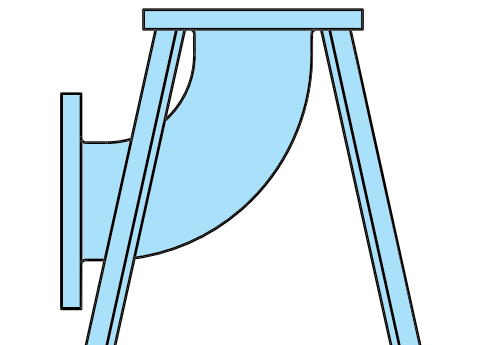


GENERAL FEATURES		
Series	Dimensions	Guide rails dimensions
GB-2½"	CB65	DN 65
GB-4"	CB100	DN 100
MC-3" / 4"	CB80-100	DN 80-100
* MC-6"	CB150-1	DN 150
** MC-6"	CB150-2	DN 150
KC-6"	CB150-2	DN 150
KC-8"	CB200	DN 200
KC-10"	CB250	DN 250
* Up to 16,9 kw		
** From 17 kw		

Accessories

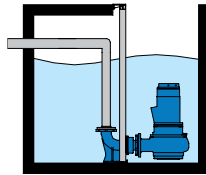
Base Stand

Base stand in galvanized steel.

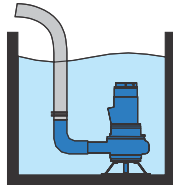


Base stand with suction elbow for vertical dry installation.

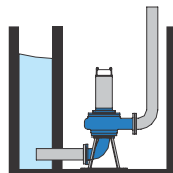
GENERAL FEATURES		
Series	Dimensions	Guide rails dimensions
MC-3"	CTVS 80A-R	DN 80 PN 10
MC-4"	CTVS 100A-R	DN 100 PN 16/180
MC-6"	CTVS 150A-R	DN 150 PN 16/240
KC-6"	CTVS 150 R	DN 150
KC-6"	CTVS 150/200 R	DN 150/200
KC-8"	CTVS 200 R	DN 200
KC-8"	CTVS 200/250 R	DN 200/250
KC-10"	CTVS 250 R	DN 250
KC-10"	CTVS 250/300 R	DN 250/300
KC-12"	CTVS 300 R	DN 300
KC-18"	CTVS 400 R	DN 400



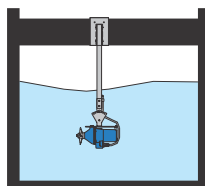
1 V
Fixed installation with low level coupling type V



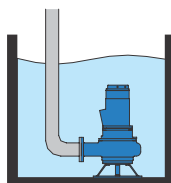
3 G
Movable installation for Flexible pipe



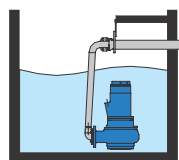
5 C
Dry pit vertical installation for pumps with cooling jacket



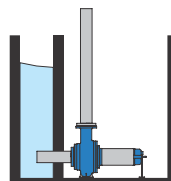
11 T
Fixed installation for mixers with adjustable lifting device



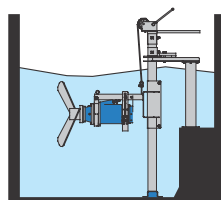
2 F
Movable installation with base stand and connection for rigid pipe



4 H
Fixed installation with HK system



6 O
Dry pit horizontal installation for pumps with cooling jacket



12 P
Adjustable fixed installation with pole and winch

C.R.I. PUMPS (PVT) LIMITED

(International Division)

7/46-1, Keeranatham Road, Saravanampatty, Coimbatore - 641 035. India.

Phone : +91-422-7117310, 7117312, Fax : +91-422-7117300, e-mail : cri@crifluidsystems.com website : www.crifluidsystems.com

BOMBAS C.R.I. ESPAÑA, S.L.

Poligono Industrail El.Bony Calle 31, No. 137, 46470
Catarroja (Valencia) Spain.

Tel : +34-96 1842 974, Fax : +34-96 1842 977

E-mail : admin-es@crifluidsystems.com, www.crifluidsystems.com

C.R.I. BOMBAS HIDRÁULICAS LTDA

Av. Rodrigo Fernando Grillo, 457, Jd. Manacas,
CEP - 14.801-534, Araraquara - SP, **Brasil**.

Fone : +55-16-3331 1099, Fax : +55-16-3331 5344

e-mail : cri@cribombas.com.br website : www.cribombas.com.br

Filial : Jabotão dos Guararapes-PE, Brasil

Fone : (81) 3093-9620, Fax : (81) 3093-9600

C.R.I. PUMPS S.A. (PTY) LIMITED

Stand 63, Capital Hill Commercial Estate,

Cnr. K101 & Le Roux Avenue, Midrand -1685,

Johannesburg. South Africa. Phone : +27 11 8058631 /32,

Fax : +27-11-8058630, E-mail : cri-za@crifluidsystems.com,

Web : www.crifluidsystems.com

C.R.I. PUMPS (Shanghai) Co., Ltd.

Room 510, No 1855 Qixin Road,

Minhang District, **Shanghai** - 201101 China.

Tel : +86-21-54405082, Fax : +86-21-54405083

e-mail : sales-chn@crifluidsystems.com

web : www.crifluidsystems.com

C.R.I. FLUID SYSTEMS USA LLC.

620 N Fairfield St, Amarillo, Texas 79107, **USA**.

Tel : 832-430-4660 E-mail : sales.us@crifluidsystems.com

Website : www.crifluidsystems.com

C.R.I. FLUID SYSTEMS MEXICO

S.DE R.L. DE C.V

Cuidad De Mexico

E-mail : sales.mx@crifluidsystems.com

website : www.crifluidsystems.com

C.R.I. PUMPS (FZC)

P.O. Box : 7988 , L1-10, Sharjah Airport International Free Zone

(SAIF-Zone) **Sharjah**. United Arab Emirates (UAE),

Tel: +971-6-5573041, email: service-uae@crifluidsystems.com

web: www.crifluidsystems.com

C.R.I. FLUID SYSTEMS INC.,

Polyland Industrial Subdivision, Warehouse #3, Block 4,

Kendex St., Bo. Iba, Meycauayan, Bulacan. **Philippines**. Zip-3017.

Phone : +63 44 762 8887 / +63 44 802 6199, Fax : +63 44 762 8888

E-mail : sales_ph@crigroups.com

Website : www.crifluidsystems.com

PT. CRI FLUID SYSTEMS

Boutique Office Jalan Kawasan Industri & Pergudangan

Marunda Center Block C, No. 10, Kelurahan, Segaramakmur,

Kecamatan Tarumajaya Kabupaten, Bekasi,

Jawa Barat, **Indonesia** -17211. Telepon : 021 88998118

E-mail : sales.id@crifluidsystems.com,

Website : www.crifluidsystems.com



<https://www.linkedin.com/company/cri-fluid-systems>



<https://www.facebook.com/crifluidsystemsglobal/?ti=as>



https://www.instagram.com/cri_fluidsystems/