

PERIPHERAL, JET & CENTRIFUGAL MONOBLOCK PUMPS - 50Hz





C.R.I. PUMPS

Pumping trust. Worldwide.

T H E B E G I N N I N G

of C.R.I., way back in 1961, was a resolute attempt to produce a few irrigation equipments using the limited facilities of an in-house foundry. Eventually the founder's dream was coming true as the small production unit he started kept growing rapidly. Now, after more than five eventful decades, it is an enormous, widely reputed organization, which produces more than 2300 varieties of perfectly engineered pumps and motors and sells its products in numerous countries spread across 6 continents.

C . R . I . I S O N E A M O N G

the few pioneers in the world to produce 100% stainless steel submersible pumps. Having achieved a record production capacity of over 2 million pumps per annum, today C.R.I. is rubbing its shoulders with the best brands in the world, with advanced technology and safety standards as its hallmarks.

T H E I N F R A S T R U C T U R E

of C.R.I. is pretty comprehensive with state-of-the-art machineries and high potential in-house R&D recognised by the ministry of science and technology, Govt. of India - all within its own covered area of 300,000 square metres. The production environment is accredited with ISO 9001, and the products are CE, IEC, TSE & ISI certified. The R&D team always stays in tune with the changing scenario and seldom fails in coming up with outstanding solutions every time.

N E E D L E S S T O S A Y ,

behind this legendary growth lies the untiring, innovative, enthusiastic and dedicated team work. and, of course, a flawlessly maintained value system too. The name C.R.I. itself encapsulates the company's ethos: " Commitment, Reliability, Innovation".



Peripheral, Jet & Centrifugal Monoblock Pumps - 50Hz

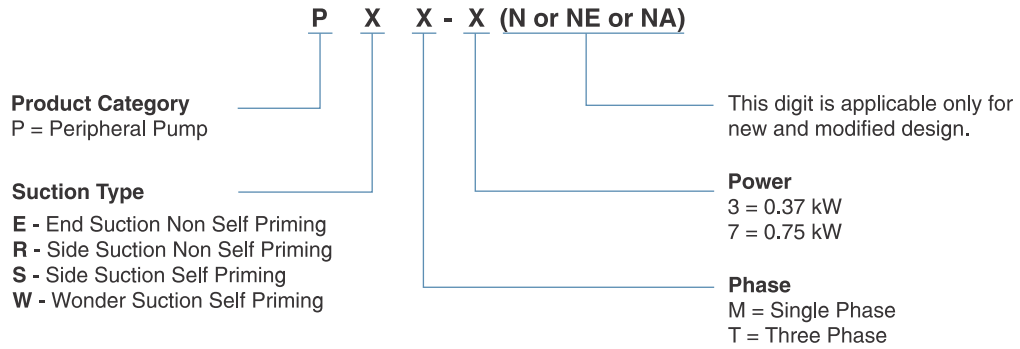
CONTENT

INDEX	Page No.
Peripheral Pumps - PE Series	
Model Identification Code (MIC)	5
Descriptions, Specifications, Operating Limits & MOC	6
Performance Curve & Table	7
Exploded View, GAD, Dimensions and Weight Data	8
Centrifugal Monoblock Pumps - CTSS Series	
Model Identification Code (MIC)	9
Descriptions, Specifications, Operating Limits & MOC	10
Performance Table & Curve	11
Exploded View	12
GAD, Dimensions and Weight Data	13
Centrifugal Monoblock Pumps - ACM & CT Series	
Model Identification Code (MIC)	14
Descriptions, Specifications, Operating Limits & MOC	15-16
Performance Curve & Table - CTB & CTS Series	17-18
Exploded View - CTB & CTS Series	19
GAD, Dimensions and Weight Data - CTB & CTS Series	20
Performance Curve & Table - ACM & CTC Series	21-23
Exploded View - ACM Series	24
GAD, Dimensions and Weight Data - ACM & CTC Series	25
Jet Pumps - JTS & JTB Series	
Model Identification Code (MIC)	26
Descriptions, Specifications & Operating Limits	27-28
Exploded View	29-30
Performance Curve & Table	31
GAD, Dimensions and Weight Data	32

PERIPHERAL PUMPS - 50Hz

PE SERIES

Model Identification Code (MIC)

**Description:**

PEM-3NE, 0.37kW, 50Hz, 230V, 1Ph, 1" x 1" Peripheral End Suction Pump

PEM-7N, 0.75kW, 50 Hz, 230V, 1Ph, 1" x 1" Peripheral End Suction pump

Peripheral Pumps

PE SERIES

PE Series

Description

Peripheral pumps are non-self-priming monoblock type supplied with peripheral impeller for higher head requirement. These pumps are rigid in construction and compact design. Peripheral pumps are powered by a totally enclosed fan cooled single phase motor suitable for continuous duty. Monoblock construction eliminates loss of energy while transmitting the energy from motor to pump. All single-phase pumps are thermally protected.



Features

- Silent operation
- Sturdy and compact design
- Thermal protection

Applications

- Residential
- Garden
- Fountain
- Pressure boosting
- Landscaping
- Feed water supply in domestic RO

Operating Data - Pump

Flow	to 2.5m ³ /h
Head	to 54m
Power	0.37 & 0.75kW
Speed	2850 rpm
Suction Size	1"
Delivery Size	1"
Liquid Temperature	to 35°C
Max. Ambient Temperature	40°C
Shaft seal	Mechanical seal
Impeller Type	Peripheral
Max. Working Pressure	to 5.4bar

Specifications - Motor

Power	0.37 & 0.75 kW
Voltage	220-230V, Single Phase
Frequency	50 Hz
Speed	2850 rpm
Class of Insulation	B
Ingress Protection	IP 54
Duty	S1 Continuous
Max. Ambient Temp.	40°C

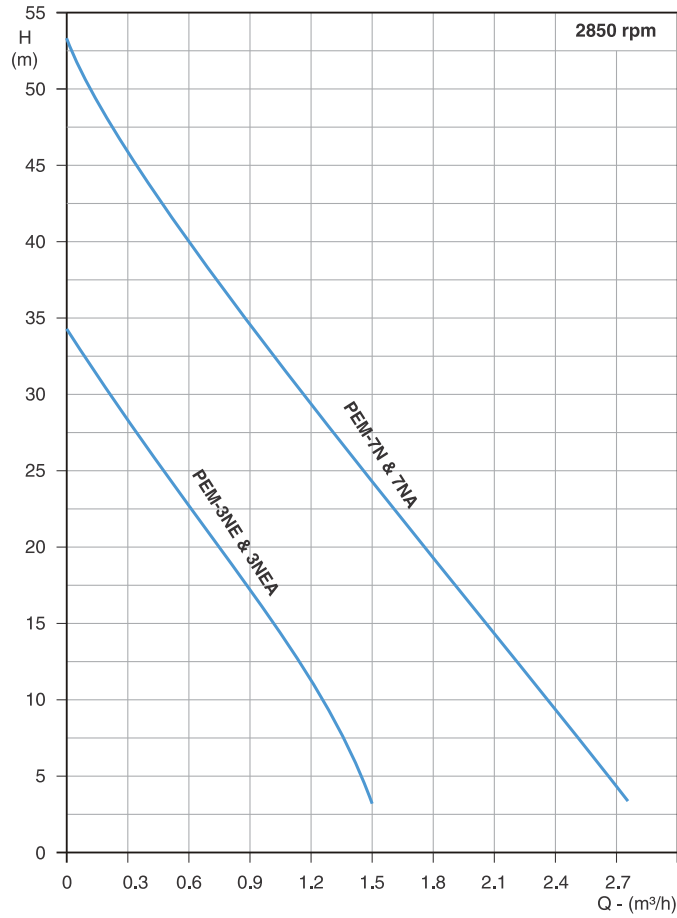
Material of Construction

Part Name	Material (EN / DIN / SAE)
Pump Body	Aluminum - ADC-12 / ASTM A383 ADC-12
Impeller	CW612N / 2.0380 / ASTM B287 C37700
Shaft	EN8 / CK45 / ASTM A1045
Pump Support & Back Cover	Cast Iron - EN-GJL220 / GG20 / ASTM A48 Class 30B
Terminal Cover	Engineering Plastic
O Rings	NBR (Buna - N)
Mechanical seal	Ceramic & Carbon

Peripheral Pumps

PE SERIES

Performance Curves



Performance Table

Single Phase 220V-230V, 50Hz

Pump Model		Power		Current (Amps)	Suction & Delivery Size (Inches)	Flow (Q)	lpm	0	5	6.6	10	11.6	15	18.3	20	25	30	35	40	Max. Suction Lift (m)
		kW	HP					0	0.3	0.4	0.6	0.7	0.9	1.1	1.2	1.5	1.8	2.1	2.8	
PEM-3NE	PEM-3NEA	0.37	0.5	2.5	1 x 1	Head (m)	34.5	28	26	22.5	21	17	14	12	7	3	-	-	6	
PEM-7N	PEM-7NA	0.75	1	4.5	1 x 1		53	46	44	40	38	35	30	29	24	20	15	3	6	

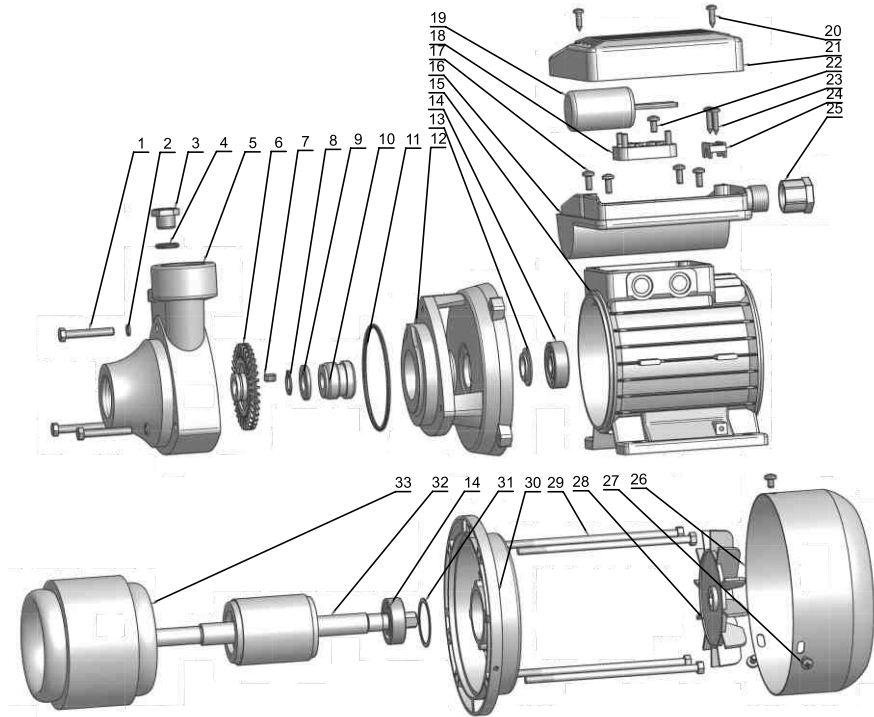
Performance curve tolerances are as per HI : 14.6 / ISO: 9906, Grade 3B

In view of continuous developments the information / performance / descriptions / specifications / illustrations are subject to change without notice

Peripheral Pumps

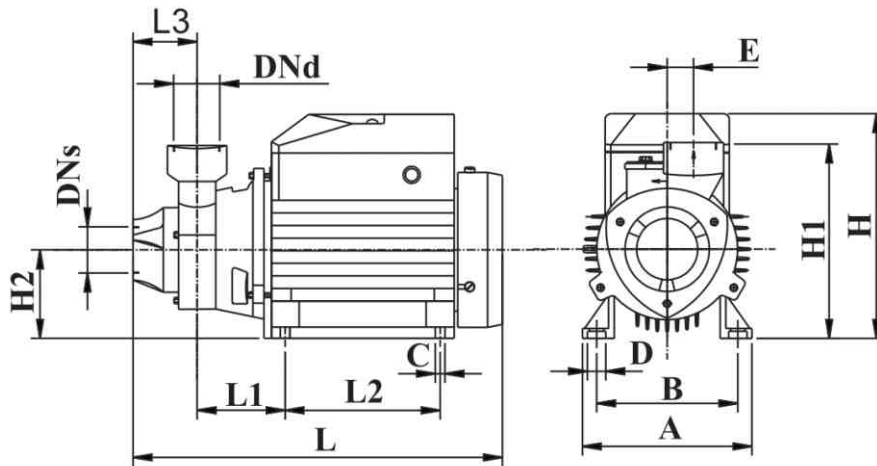
PE SERIES

Exploded View



Part No.	Part Name
1	Bolt
2	Spring washer
3	Screw
4	O ring
5	Pump body
6	Impeller
7	Key
8	Snap Ring
9	Flat gasket
10	Mechanical Seal
11	O ring
12	Pump support
13	Water Deflector
14	Bearing
15	Motor housing
16	Terminal box
17	Screw
18	Terminal board
19	Capacitor
20	Screw
21	Terminal cover
22	Screw
23	Screw
24	Cable Grommet
25	Nut
26	Fan Cover
27	Screw
28	Fan
29	Bolt
30	Back cover
31	Wave washer
32	Rotor
33	Stator

General Arrangement Drawing (GAD)



Dimensions and Weight Data

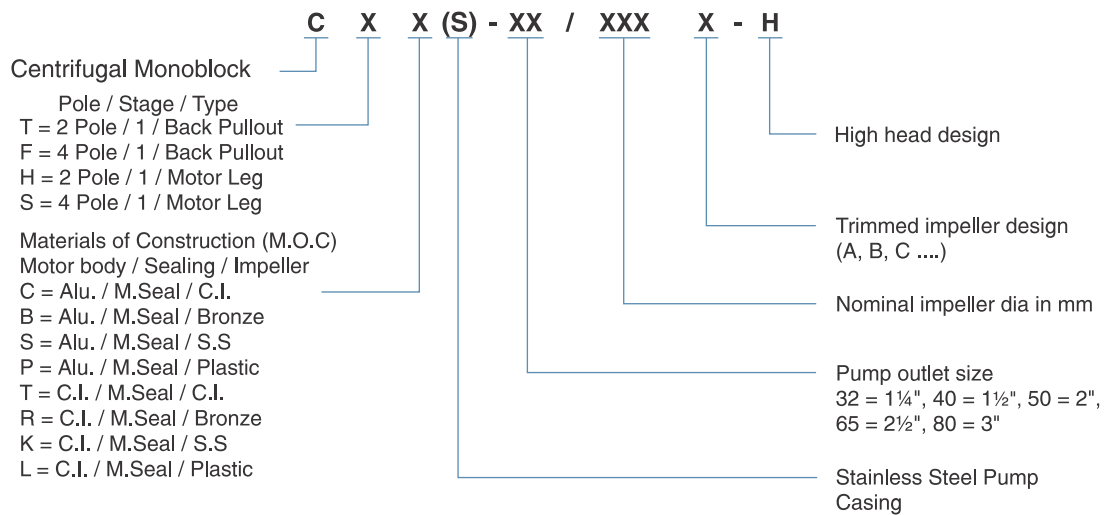
PUMP MODEL	POWER (kW)	L1	L2	L	A	B	C	D	E	H	H1	H2	L3	DNs	DNd	NET WEIGHT (kg)
PEM-3NE / PEM-3NEA	0.37	62	83	256	116	98	7	9	17	166	135	61	44	25	25	5.3
PEM-7N / PEM-7NA	0.75	69	90	310	131	110	9	14	23	181	150	71	50	25	25	8.85

All dimensions are in mm

Centrifugal Monoblock Pumps

CTSS SERIES

Model Identification Code (MIC)



Sample Description:

CTSS-5/03M : 0.37kW, 1¼x1, 220-230V, 1 PH SINGLE PHASE PUMP 50Hz

CTS-4/03M : 0.37kW, 1x1, 220-230V, 1 PH SINGLE PHASE PUMP 50Hz

CTB-35/22M : 2.2kW, 3x3, 220-230V, 1 PH SINGLE PHASE PUMP 50Hz

CTB-20/22T : 2.2kW, 2x2, 220-230V, 3 PH SINGLE PHASE PUMP 50Hz

Centrifugal Monoblock Pumps

CTSS SERIES

CTSS Series

Description

CTSS pumps are horizontal single stage end suction centrifugal monoblock type supplied with radial flow impeller for higher head and flow requirements. These pumps are rigid in construction and compact design. CTSS pumps are powered by a totally enclosed fan cooled single or three phase motor suitable for continuous duty. Monoblock construction eliminates loss of energy while transmitting the energy from motor to pump. The complete pump portion is made of stainless steel for hygiene applications such as reverse osmosis and food industries.



Features

- Wetted parts are made of stainless steel
- Wide hydraulic ranges
- Thermal protection in single phase pumps
- Aluminium die cast body for better heat dissipation (Transfer).

Applications

- Residences and commercial buildings
- Feed water supply in RO system
- Pressure boosting system
- Water transfer in food industries
- Washing and cleaning systems
- Utility water supply in industries
- Agriculture

Operating Data - Pump

Flow	to 30m ³ /h
Head	to 35.5m
Power Range	0.37 - 3kW
Speed	2850 rpm
Suction & Delivery Size	1¼" x 1", 1½" x 1" & 2" x 2"
Liquid Temperature	to 35°C
Maximum Ambient Temperature	40°C
Shaft seal	Mechanical seal
Face Combination	Ceramic & Carbon
Impeller Type	Enclosed Radial Flow
Maximum Working Pressure	to 3.5bar

Motor Specifications

Power range	0.37 - 3kW
Voltage	Single Phase - 220-230V, 50Hz, AC Supply
	Three Phase, 380-415V, 50Hz, AC Supply
Speed	2850 rpm
Insulation Class	F
Ingress Protection	IP55
Duty	S1 Continuous

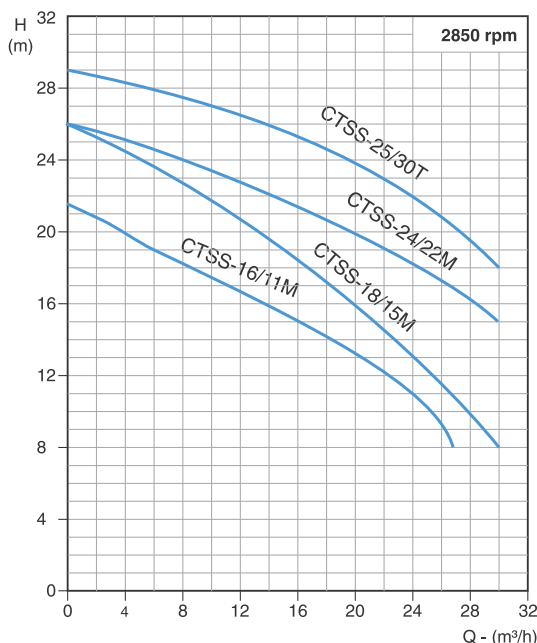
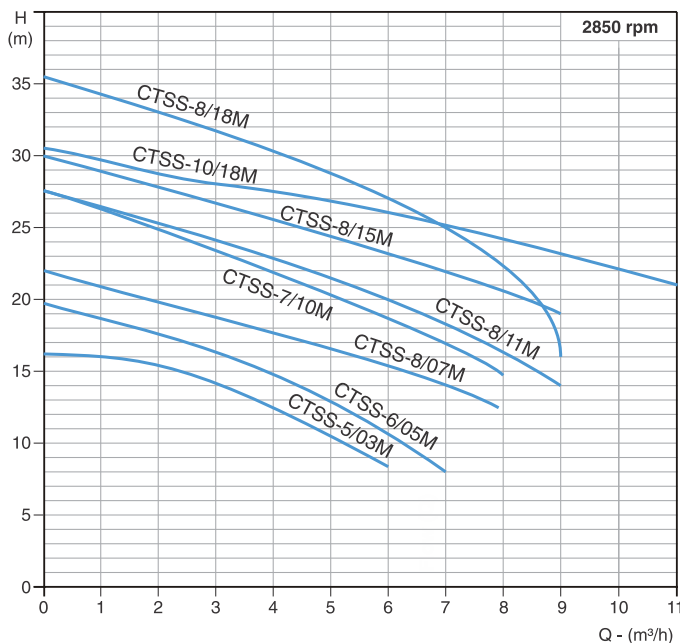
Material of Construction

Part	Material (EN / DIN / SAE)
Impeller	X5CrNi 18-10 / 1.4301 / ASTM A240 AISI 304
Casing & Stuffing box	X5CrNi 18-10 / 1.4301 / ASTM A240 AISI 304
Pump Shaft	X5CrNi 18-10 / 1.4301 / ASTM A240 AISI 304
Shaft Seal	Mechanical Seal (Ceramic & Carbon)

Centrifugal Monoblock Pumps

CTSS SERIES

Performance Curves



Performance Table

Pump Model		Power		Current (Amps)		Suction x Delivery Size (Inches)	Flow (Q)	Head (m)															
1 Phase 220-230V	3 Phase 380V	kW	HP	1Ph 230V	3Ph 380V			Flow (Q)	0	0.28	0.56	0.83	1.1	1.38	1.67	1.94	2.2	2.5	2.78	3.05			
								m³/h	0	1	2	3	4	5	6	7	8	9	10	11			
CTSS-5/03M	CTSS-5/03T	0.37	0.5	2.4	1	1¼x1	Head (m)	16.2	16	15.5	14	12.5	10.5	8.5									
CTSS-6/05M	CTSS-6/05T	0.55	0.75	3.8	1.4	1¼x1		19.7	18.5	17.5	16.5	15	13	10.7	8								
CTSS-8/07M	CTSS-8/07T	0.75	1	5.2	1.8	1¼x1		22	21	19.9	18.8	17.7	16.6	15.4	14	12.5							
CTSS-7/10M	CTSS-7/10T	1	1.34	6.2	2.4	1¼x1		27.5	26.2	24.9	23.4	21.9	20.2	18.8	17	14.8							
CTSS-8/11M	CTSS-8/11T	1.1	1.5	7	2.6	1¼x1		27.5	26.5	25.3	24.1	23.8	21.5	20	18.2	16.2	14						
CTSS-8/15M	CTSS-8/15T	1.5	2	9.2	3.5	1¼x1		30	29	27.8	26.8	25.5	24.3	23.2	22	20.6	19						
CTSS-8/18M	CTSS-8/18T	1.85	2.5	13	4.1	1¼x1		35.5	34.2	33	31.8	30.2	28.8	27	25	22.2	16						
CTSS-10/18M	CTSS-10/18T	1.85	2.5	13	4.1	1½x1		30.5	29.8	28.8	28	27.6	26.8	26	25.1	24.2	23.2	22	21				

Pump Model		Power		Current (Amps)		Suction x Delivery Size (Inches)	Flow (Q)	Head (m)											
1 Phase 220-230V	3 Phase 380V	kW	HP	1Ph 230V	3Ph 380V			Flow (Q)	0	0.83	1.67	2.5	3.33	4.17	5	5.83	6.67	7.5	8.33
								m³/h	0	3	6	9	12	15	18	21	24	27	30
CTSS-16/11M	CTSS-16/11T	1.1	1.5	7	2.6	2 x 2	Head (m)	21.5	20.5	19	18	17	16	14	12.5	11	8	-	
CTSS-18/15M	CTSS-18/15T	1.5	2	9.2	3.5	2 x 2		26	24	23.8	22	20.8	19	17.2	15.2	13	11	8	
CTSS-24/22M	CTSS-24/22T	2.2	3	14	4.9	2 x 2		26	25.4	24.3	23.7	22.8	22	20.5	19.5	18.2	16.8	15	
-	CTSS-25/30T	3	4	-	6.3	2 x 2		29	28.5	28	27.2	26.5	25.5	24.5	23.5	22	20.2	18	

Performance curve tolerances are as per HI : 14.6 / ISO: 9906, Grade 3B

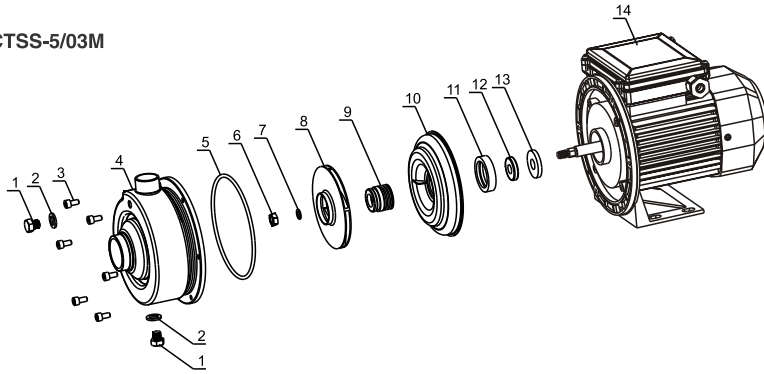
In view of continuous developments the information / performance / descriptions / specifications / illustrations are subject to change without notice

Centrifugal Monoblock Pumps

CTSS SERIES

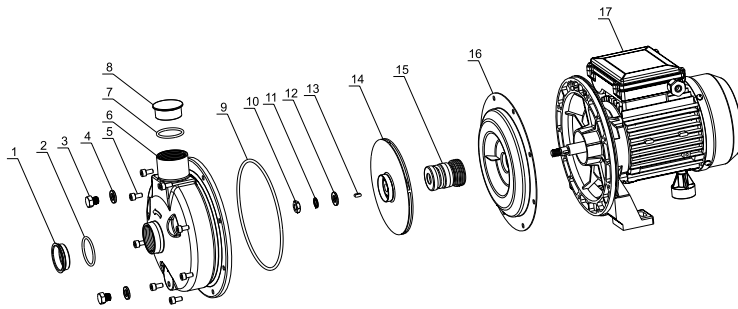
Exploded View

MODEL : CTSS-5/03M



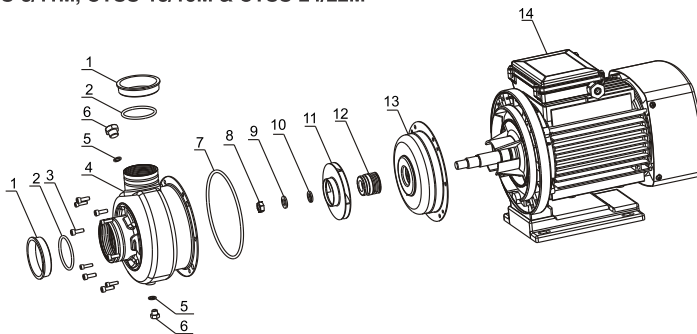
Part No.	Part Name
1	Plug
2	Washer
3	Inside Hexagonal bolt
4	Pump Housing Component
5	O-Ring
6	Hexagonal Nut
7	Spring Washer
8	Impeller
9	Mechanical Seal
10	Pump Cover
11	Flange Cover Pad
12	Shaft seal Ring
13	Oil Seal
14	Motor

MODELS : CTSS-6/05M, CTSS-8/07M, CTSS-7/10M, CTSS-8/11M, CTSS-8/15M, CTSS-8/18M & CTSS-10/18M



Part No.	Part Name
1	Dust cap
2	O-Ring
3	Plug
4	Washer
5	Inside Hexagonal bolt
6	Pump Housing Component
7	O-Ring
8	Dust Cap
9	O-Ring
10	Hexagonal Nut
11	Spring Washer
12	Washer
13	Key
14	Impeller
15	mechanical Seal
16	Pump Cover
17	Motor

MODELS : CTSS-8/11M, CTSS-18/15M & CTSS-24/22M



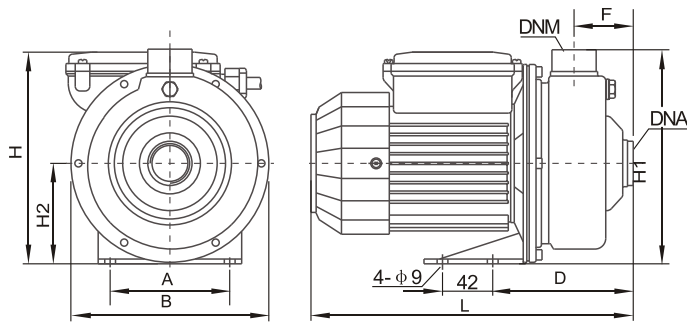
Part No.	Part Name
1	Dust Cap
2	O-Ring
3	Inside Hexagonal bolt
4	Pump Housing Component
5	O-Ring
6	Plug
7	O-Ring
8	Hexagonal Nut
9	Washer
10	Spring Washer
11	Impeller
12	Mechanical Seal
13	Pump Cover
14	Motor

Centrifugal Monoblock Pumps

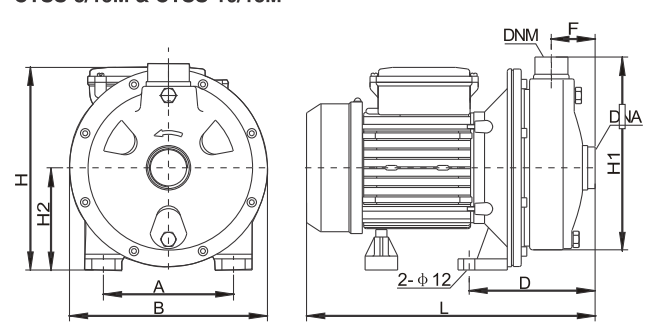
CTSS SERIES

General Arrangement Drawing (GAD)

MODEL : CTSS-5/03M



MODELS : CTSS-6/05M, CTSS-8/07M, CTSS-7/10M, CTSS-8/11M, CTSS-8/15M & CTSS-10/18M

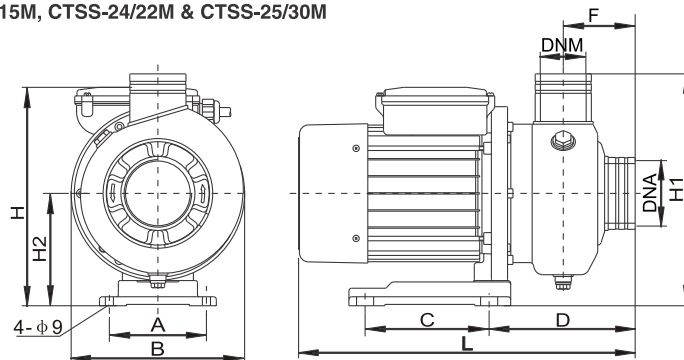


Dimensions and Weight Data

PUMP MODEL		POWER (kW)	A	B	D	F	L	H	H1	H2	DNM	DNA	NET WEIGHT (kg)
1 Phase 220-230V	3 Phase 380V												
CTSS-5/03M	CTSS-5/03T	0.37	100	166	118	50	265	177	179	84	25	32	6.3
CTSS-6/05M	CTSS-6/05T	0.55	140	213	138	49	315	218	232	110	25	32	9.4
CTSS-8/07M	CTSS-8/07T	0.75	140	213	138	49	315	218	232	110	25	32	10.34
CTSS-7/10M	CTSS-7/10T	1	140	213	138	49	315	218	232	110	25	32	11.5
CTSS-8/11M	CTSS-8/11T	1.1	140	213	138	49	337	230	232	110	25	32	15.2
CTSS-8/15M	CTSS-8/15T	1.5	140	234	140	46	373	255	240	120	25	32	19.6
CTSS-8/18M	CTSS-8/18T	1.85	140	234	140	46	373	255	240	120	25	32	22
CTSS-10/18M	CTSS-10/18T	1.85	140	213	138	49	354	255	222	110	25	40	21.8

All dimensions are in mm

MODELS : CTSS-16/11M, CTSS-18/15M, CTSS-24/22M & CTSS-25/30M



Dimensions and Weight Data

PUMP MODEL		POWER (kW)	A	B	C	D	F	L	H	H1	H2	DNM	DNA	NET WEIGHT (kg)
1 Phase 220-230V	3 Phase 380V													
CTSS-16/11M	CTSS-16/11T	1.1	108	193	138	165	82	378	243	258	125	50	50	15.8
CTSS-18/15M	CTSS-18/15T	1.5	108	193	138	165	82	378	243	258	125	50	50	17.58
CTSS-24/22M	CTSS-24/22T	2.2	108	193	138	165	82	415	242	258	125	50	50	20.2
-	CTSS-25/30T	3	108	193	138	165	82	432	242	258	125	50	50	23.3

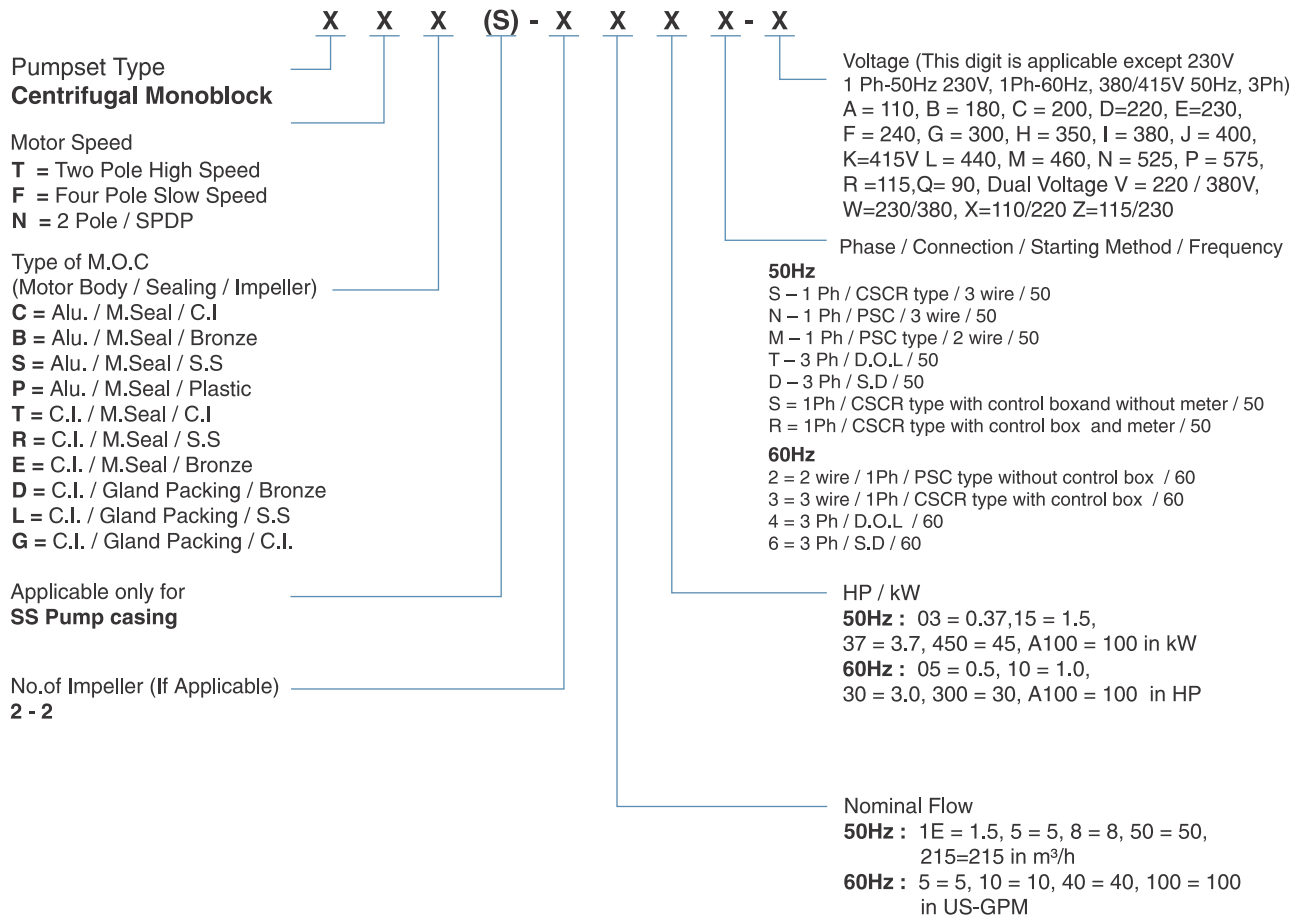
All dimensions are in mm

In view of continuous developments the information / performance / descriptions / specifications / illustrations are subject to change without notice

Centrifugal Monoblock Pumps

ACM & CT SERIES

Model Identification Code (MIC)



Sample Description:
 CTS-18/5T
 CTC-7/07T

Centrifugal Monoblock Pumps

ACM & CT SERIES

ACM & CT Series



Description

ACM and CT Series pumps are horizontal single stage or two stage end suction centrifugal type supplied with radial flow impeller for higher head and flow requirements. These pumps are rigid in construction and compact in design. These pumps are powered by a totally enclosed fan cooled single phase or three phase motor suitable for continuous duty. Monoblock construction eliminates loss of energy while transmitting the energy from motor to pump. The back pull out design facilitates ease of maintenance. Single phase motors are thermally protected.

Design Features

- High Efficiency
- Wide hydraulic ranges
- Different impeller material options
- Back pull-out design
- Thermal protection in single phase

Applications

- Water supply in residences and commercial buildings
- Pressure boosting system
- Feed water supply in RO system
- Utility water supply in industries
- Garden and landscaping
- Fountain
- Agriculture

Centrifugal Monoblock Pumps

ACM & CT SERIES

Operating Data - Pump

Series	CTS, CTB & CTB2	CTC & ACM
Flow	to 59m ³ /h	to 65m ³ /h
Head	to 56m	to 35m
Power Range	0.37 - 2.2kW	0.75 - 2.2kW
Speed	2850 rpm	2850 rpm
Inlet & Outlet Size	1" x 1", 1¼" x 1", 1½" x 1¼" & 3" x 3"	1" x 1", 1½" x 1¼", 2 x 1½, 2 x 2, 2½ x 2, 3 x 3 & 4 x 4
Liquid Temperature	to 35°C	to 35°C
Maximum Ambient Temp.	40°C	40°C
Shaft seal	Mechanical seal (Ceramic & Carbon)	Mechanical seal (Ceramic & Carbon)
Impeller Type	Radial Flow	Radial Flow
Maximum Working Pressure	to 5.6bar	to 3.5bar

Motor Specifications

Series	CTS, CTB & CTB2	CTC & ACM
Power Range	0.37 - 2.2 kW	0.75 - 2.2 kW
Voltage	Single Phase, 220-230V, 50Hz, AC Supply Three Phase, 380-415V, 50Hz, AC Supply	Single Phase, 220-230V, 50Hz, AC Supply Three Phase, 380-415V, 50Hz, AC Supply
Speed	2850 rpm	2850 rpm
Insulation Class	F	B & F
Ingress Protection	IP55	IP44 & IP54
Duty	S1 Continuous	S1 Continuous

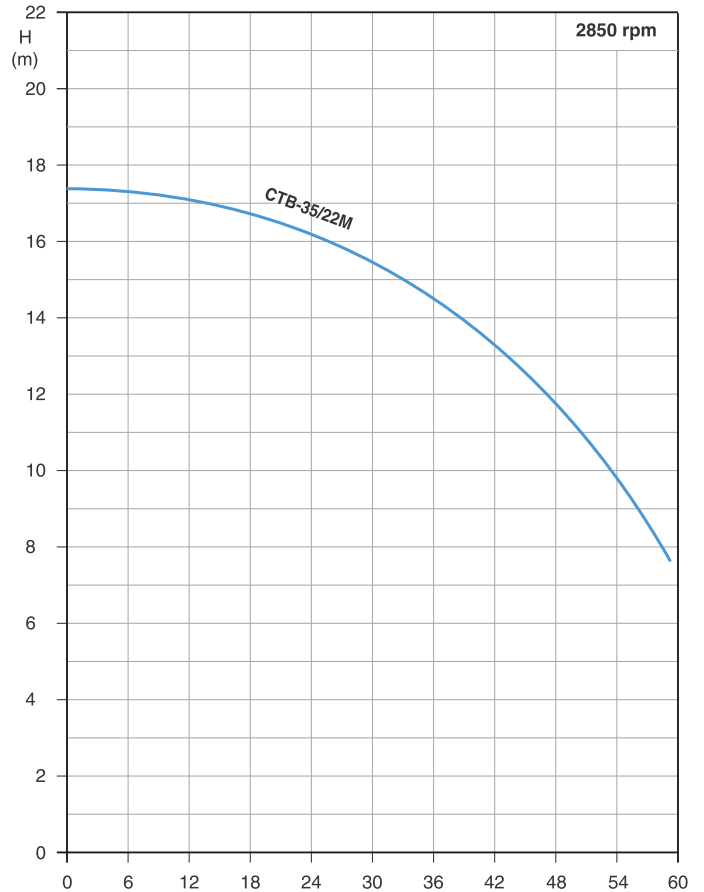
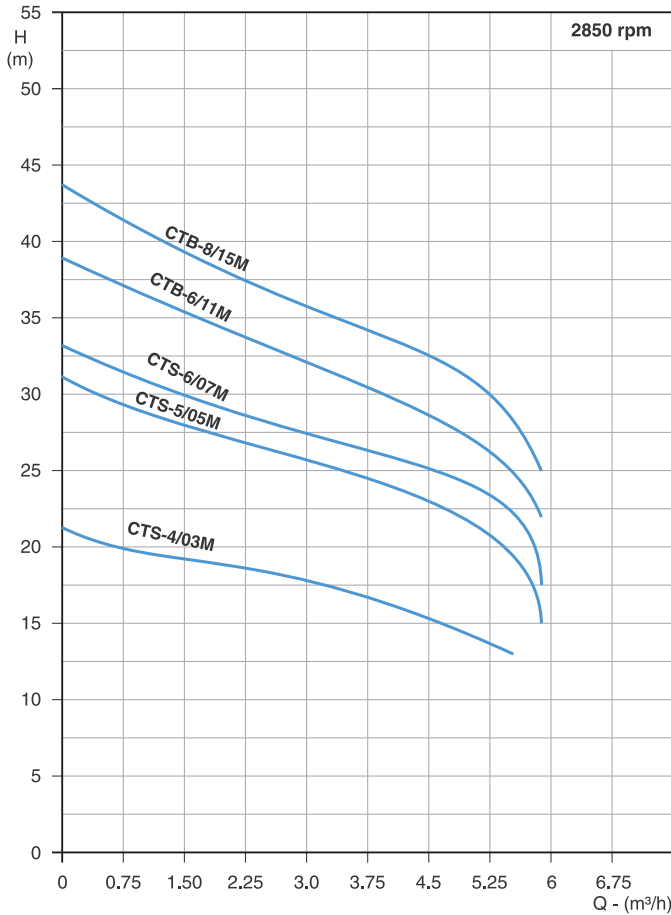
Material of Construction

Part	CTS (EN / DIN / SAE)	CTB / CTB2 (EN / DIN / SAE)	CTC / ACM (EN / DIN / SAE)
Motor Frame	Aluminium/ADC-12/ASTM A383 ADC-12	Aluminium / ADC-12 / ASTM A383 ADC-12	Aluminium / ADC-12 / ASTM A383 ADC-12 / Cast Iron / EN-GJL-220/GG20/ ASTM A48 CLASSES
Impeller	X5CrNi18-10/1.4301/ASTM A240 AISI 304	CuSn10 /CC480K	EN-GJL-220/GG20/ASTM A48 Class 30 B
Casing	EN-GJL-220 / GG20 / ASTM A48 Class 30 B	EN-GJL-220 / GG20 / ASTM A48 Class 30 B	EN-GJL-220 / GG20 / ASTM A48 Class 30 B
Pump Shaft	X12Cr13 / 1.4006 / ASTM A276 AISI 410	X12Cr13 / 1.4006 / ASTM A276 AISI 410	X12Cr13 / 1.4006 / ASTM A276 AISI 410
Shaft Seal	Mechanical Seal (Ceramic & Carbon)	Mechanical Seal (Ceramic & Carbon)	Mechanical Seal (Ceramic & Carbon)

Centrifugal Monoblock Pumps

CT SERIES

Performance Curves



Performance Table

Pump Model		Power		Current (Amps)		Suction x Delivery (Inches)	Flow (Q)	Head (m)															
1Ph 220-230V	3Ph 380V	kW	HP	1Ph 220-230V	3Ph 380V			0	0.2	0.3	0.5	0.7	0.8	1	1.2	1.3	1.5	1.6					
CTS-4/03M	CTS-4/03T	0.37	0.5	3.1	1.6	1 x 1	Head (m)	21.4	20	19.2	18.9	18.3	17.8	17	15.5	14.6	13						
CTS-5/05M	CTS-5/05T	0.55	0.75	5.5	2	1 x 1		31.2	29.6	28.5	27	25.6	25.2	24.8	24	22.7	20	15					
CTS-6/07M	CTS-6/07T	0.75	1.0	5.7	2.5	1 x 1		33	32	31	28	27.3	27	26.7	25.5	25	22	17.5					
CTB-6/11M	CTB-6/11T	1.1	1.5	8.6	2.65	1 x 1		38.5	37.5	36.5	34.5	32.5	31.8	30	29	27.8	25	22					
CTB-8/15M	CTB-8/15T	1.5	2.0	10.5	3.51	1 x 1		43.5	42.5	41	38	36.5	35.2	34	33	32	28	25					

Pump Model		Power		Current (Amps)		Suction x Delivery (Inches)	Flow (Q)	Head (m)															
1Ph 220-230V	3Ph 380V	kW	HP	1Ph 220-230V	3Ph 380V			0	1.6	3.3	5	6.6	8.3	10	11.6	13.3	15	16.6					
CTB-35/22M	CTB-35/22T	2.2	3.0	13.3	3.0	3 x 3	Head (m)	0	5.8	11.8	18	23.7	29.8	36	41.7	47.8	54	59.7					
								17.4	17.3	17.1	16.8	16.4	15.5	14.5	13.2	11.8	9.8	7.7					

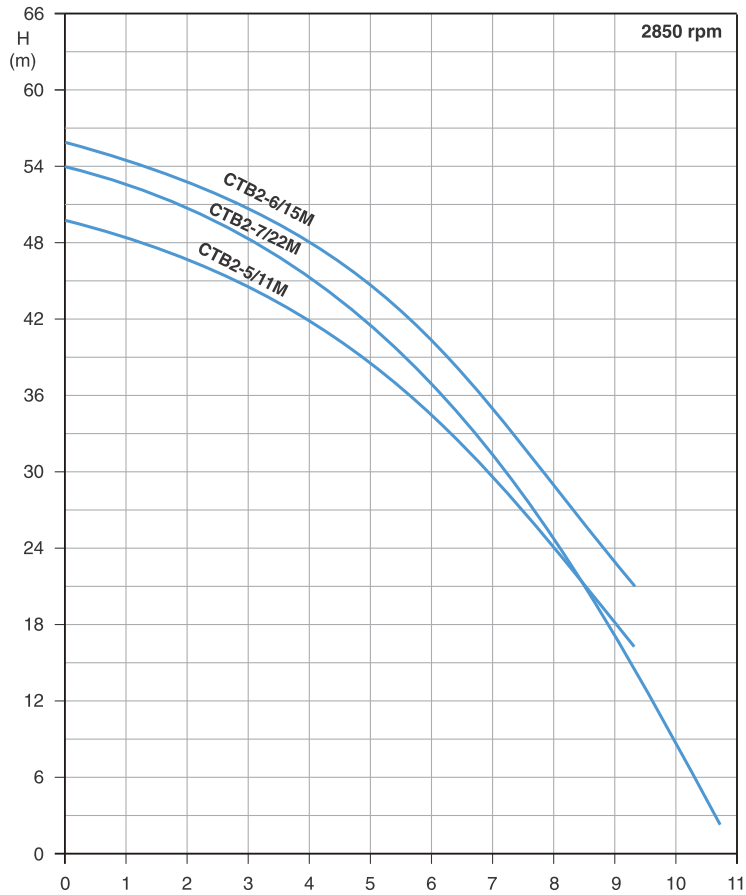
Performance curve tolerances are as per HI : 14.6 / ISO: 9906, Grade 3B

In view of continuous developments the information / performance / descriptions / specifications / illustrations are subject to change without notice

Centrifugal Monoblock Pumps

CT SERIES

Performance Curves



Performance Table

Pump Model		Power		Current (Amps)		Suction x Delivery (Inches)	Flow (G)	Head (m)								
1Ph 220-230V	3Ph 380V	kW	HP	1Ph 220-230V	3Ph 380V			0	0.3	0.6	1	1.3	1.6	2	2.3	2.6
CTB2-5/11M	CTB2-5/11T	1.1	1.5	8.9	2.65	1¼ x 1	50	47	46	43	39.5	35	28	22	16	
CTB2-6/15M	CTB2-6/15T	1.5	2	11	4.2	1¼ x 1	56	54.5	52	50	46	40	33	26	21	
CTB2-7/22M	CTB2-7/22T	2.2	3	13.3	5.2	1½x1¼	54	52.5	51.5	47.5	43	37	27.5	18.5	10	2.5

Performance curve tolerances are as per HI : 14.6 / ISO: 9906, Grade 3B

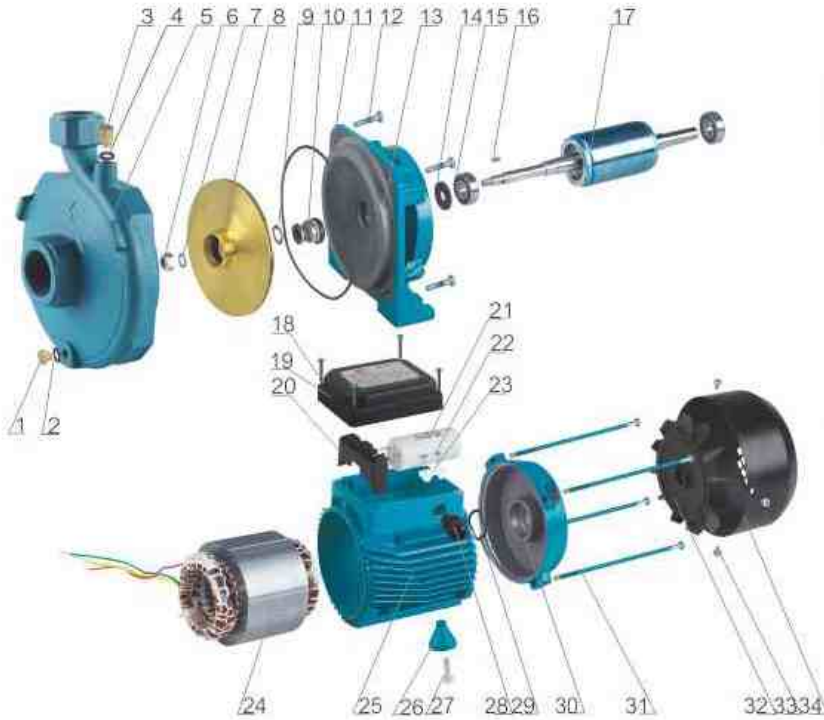
In view of continuous developments the information / performance / descriptions / specifications / illustrations are subject to change without notice

Centrifugal Monoblock Pumps

CT SERIES

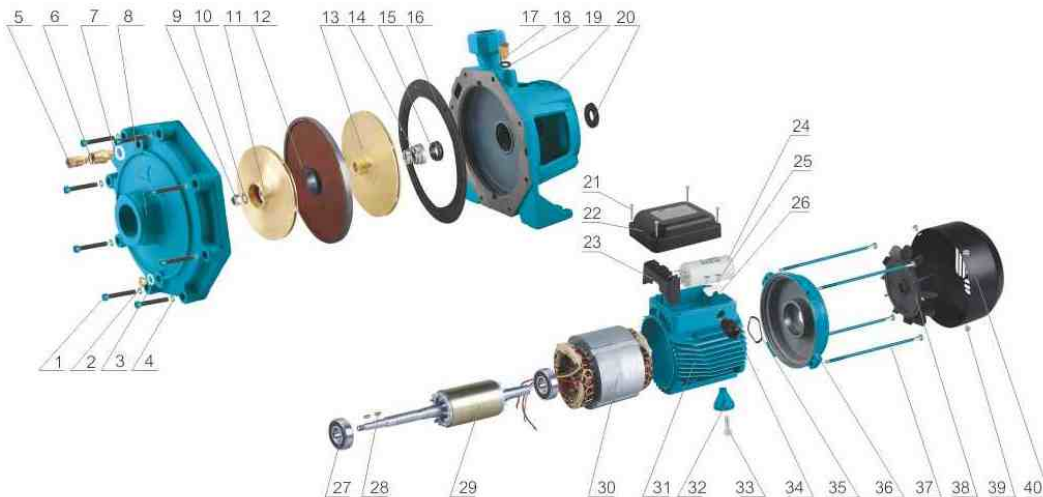
Exploded View

CTS / CTB SERIES



Part No.	Part Name
1	Drain Plug
2	"O" Ring for Drain Plug
3	Filling Plug
4	"O" Ring for Filling Plug
5	Pump Body
6	Impeller stop Nut
7	Plain Washer
8	Impeller
9	Plain Washer
10	Mechanical Seal
11	"O" Ring for Pump Body
12	Motor Bracket-Pump Body Screw
13	Motor Bracket
14	Splash Guard
15	Ball Bearing
16	Key
17	Shaft and Rotor
18	Screw for Terminal Cover
19	Terminal Cover
20	Terminal Board
21	Capacitor
22	Screw for Cable Presser
23	Cable Presser
24	Stator with Winding
25	Motor case
26	Foot
27	Screw for foot
28	Cable Gland
29	Adjusting Ring
30	Motor End Cover
31	Motor Tie-Rod
32	Fan
33	Screw for Fan Cover
34	Fan Cover

CTB2 SERIES

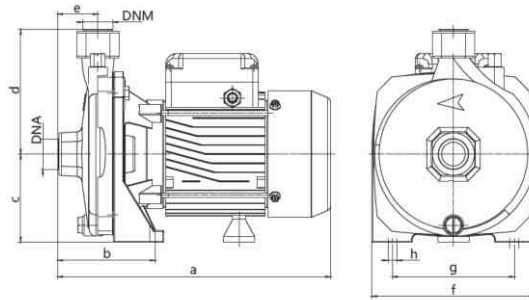


Part No.	Part Name
1	Screw for Pump Body
2	Drain Plug
3	"O" Ring for Drain Plug
4	"O" Ring for Pump Body Screw
5	Filling Plug 1 Top
6	Filling Plug 1 Base
7	"O" Ring for Filling Plug
8	Pump Body
9	Nut for Impeller/Impeller stop Nut
10	Plain Washer
11	Impeller
12	Holding Disc
13	Impeller
14	Mechanical Seal Moving Part
15	Mechanical Seal Static Part
16	Pump Cover Gasket
17	Filling Plug 2
18	"O" Ring for Filling Plug
19	Front Cover
20	Splash Guard
21	Screw for Terminal Cover
22	Terminal Cover
23	Terminal Board
24	Capacitor
25	Screw for cable Presser
26	Cable Presser
27	Ball Bearing
28	Key
29	Shaft and Rotor
30	Stator with Winding
31	Motor Housing
32	Foot
33	Screw for Foot
34	Cable Gland
35	Adjusting Ring
36	Motor End Cover
37	Motor Tie-Rod
38	Fan
39	Screw for Fan Cover
40	Fan Cover

Centrifugal Monoblock Pumps

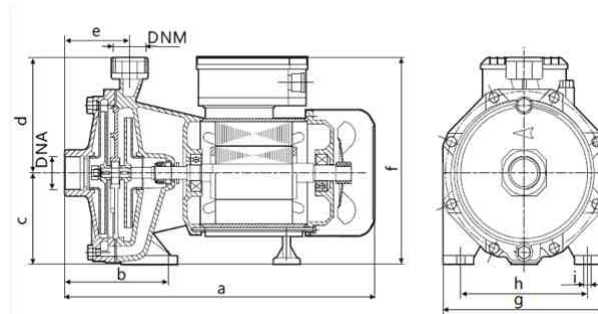
CT SERIES

General Arrangement Drawing (GAD), Dimensions & Weight Data



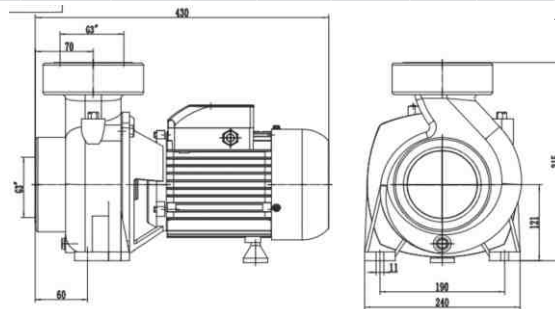
Pump Model		Power (kW)	Dimensions (mm)								Net Weight (kg)
1Ph 220-230V	3Ph 380V		DNA	DNM	a	b	c	d	g	F	
CTS-4/03M	CTS-4/03T	0.37	1"	1"	287	100	84	114	113	150	9
CTS-5/05M	CTS-5/05T	0.55	1"	1"	310	110	97	134	138	186	14
CTS-6/07M	CTS-6/07T	0.75	1"	1"	310	110	97	134	138	186	14.8
CTB-6/11M	CTB-6/11T	1.1	1"	1"	365	116	115	168	181	220	21.6
CTB-8/15M	CTB-8/15T	1.5	1"	1"	365	116	115	168	181	220	23

All dimensions are in mm unless otherwise specified



Pump Model		Power (kW)	Dimensions (mm)											Net Weight (kg)
1Ph 220-230V	3Ph 380V		DNA	DNM	a	b	c	d	e	f	g	h	i	
CTB2-5/11M	CTB2-5/11T	1.1	1 1/4"	1"	400	140	115	148	86	256	210	165	10	21.5
CTB2-6/15M	CTB2-6/15T	1.5	1 1/4"	1"	400	140	115	148	86	256	210	165	10	22.5
CTB2-7/22M	CTB2-7/22T	2.2	1 1/2"	1 1/4"	450	160	140	175	90	320	240	200	14	26.3

All dimensions are in mm unless otherwise specified



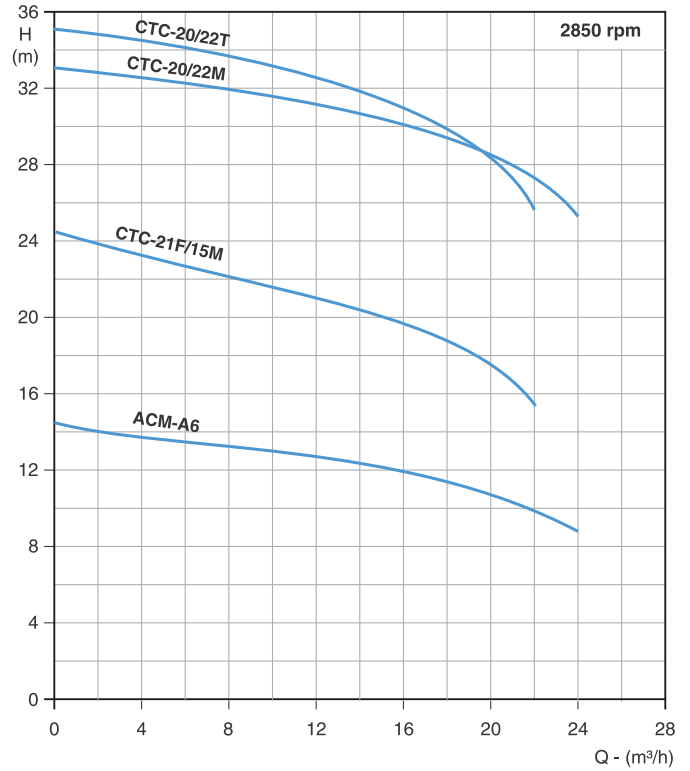
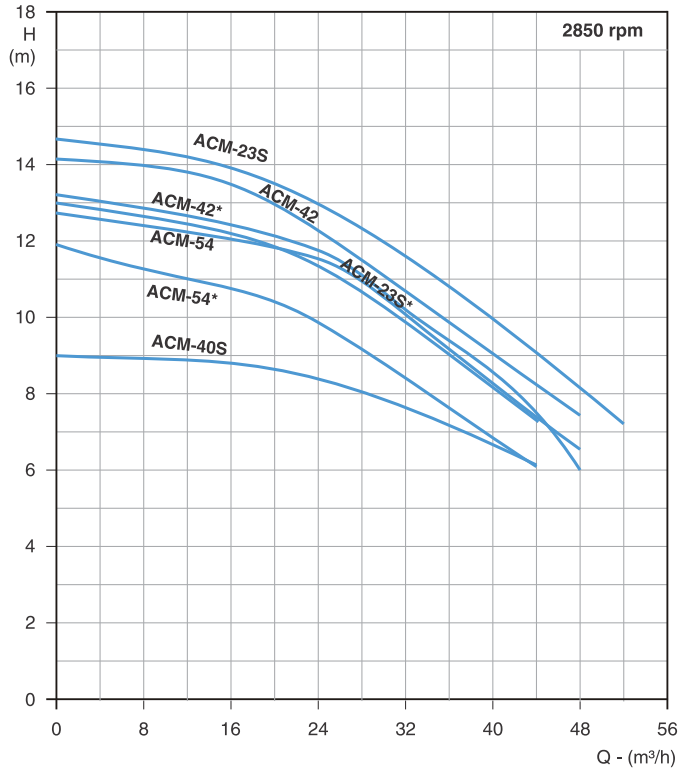
Pump Model		Power (kW)	Dimensions (mm)											Net Weight (kg)
1Ph 220-230V	3Ph 380V		DNA	DNM	a	b	c	d	e	f	g	h	i	
CTB-35/22M	CTB-35/22T	2.2	3"	3"	430	60	121	315	70	190	240	-	-	29

All dimensions are in mm unless otherwise specified

Centrifugal Monoblock Pumps

ACM & CTC SERIES

Performance Curves



Performance Table

Pump Model	Power		Current (Amps)		Suction x Delivery (Inches)	Flow (Q)	Head (m)													
	kW	HP	1Ph 220-230V	3Ph 380-415V			0	1.1	2.2	3.3	4.4	5.6	6.7	7.8	8.9	10	11.1	12.2	13.3	14.4
ACM-23S	1.5	2	10	-	3 x 3	Flow (Q)	0	4	8	12	16	20	24	28	32	36	40	44	48	52
ACM-42	1.1	1.5	9	-	3 x 3	Head (m)	14.8	14.6	14.5	14.2	14	13.6	13.1	12.4	11.6	10.7	9.8	8.9	8	7.2
ACM-54	1.1	1.5	9	-	3 x 3	Head (m)	14.2	14.1	14	13.8	13.6	13.1	12.6	11.8	11	10.2	9.3	8.4	7.4	
ACM-40S	1.1	1.5	8	-	3 x 3	Head (m)	13	12.8	12.6	12.4	12.2	11.9	11.4	10.7	9.9	9	8.2	7.3		
ACM-23S*	1.5	2	10	-	3 x 3	Head (m)	9	9	9	8.9	8.8	8.7	8.5	8.1	7.6	7	6.6	6.1		
ACM-42*	1.1	1.5	9	-	3 x 3	Head (m)	12.8	12.6	12.5	12.2	12	11.9	11.5	11	10	9	8.2	7.5	16.6	
ACM-54*	1.1	1.5	9	-	3 x 3	Head (m)	13.19	13	12.8	12.7	12.2	12	11.7	11	10.1	9.5	8.5	7.5	6	
ACM-54*	1.1	1.5	9	-	3 x 3	Head (m)	11.59	11.4	11.2	11.1	10.9	10.5	9.9	9.21	8.4	7.6	6.65	6.1		

Pump Model	Power		Current (Amps)		Suction x Delivery (Inches)	Flow (Q)	Head (m)													
	kW	HP	1Ph 220-230V	3Ph 380-415V			0	0.6	1.1	1.7	2.2	2.8	3.3	3.9	4.4	5	5.6	6.1	6.7	
CTC-20/22T	2.2	3	-	5.2	2 x 2	Flow (Q)	0	2	4	6	8	10	12	14	16	18	20	22	24	
CTC-20/22M	2.2	3	18	-	2 x 2	Head (m)	35.1	34.8	34.5	34.1	33.7	33.3	32.7	32	31.1	29.9	28.3	25.9	-	
CTC-21F/15M	1.5	2	12.5	-	2 x 2	Head (m)	32.9	32.7	32.5	32.2	32	31.6	31.3	30.8	30.3	29.5	28.5	27.4	25.5	
ACM-A6	0.75	1	6.5	-	2 x 2	Head (m)	24.2	23.6	23.1	22.6	22	21.5	21	20.4	19.7	18.8	17.5	15.6	-	
ACM-A6	0.75	1	6.5	-	2 x 2	Head (m)	14.3	14.1	13.9	13.7	13.4	13.1	12.8	12.4	11.9	11.3	10.5	9.6	8.7	

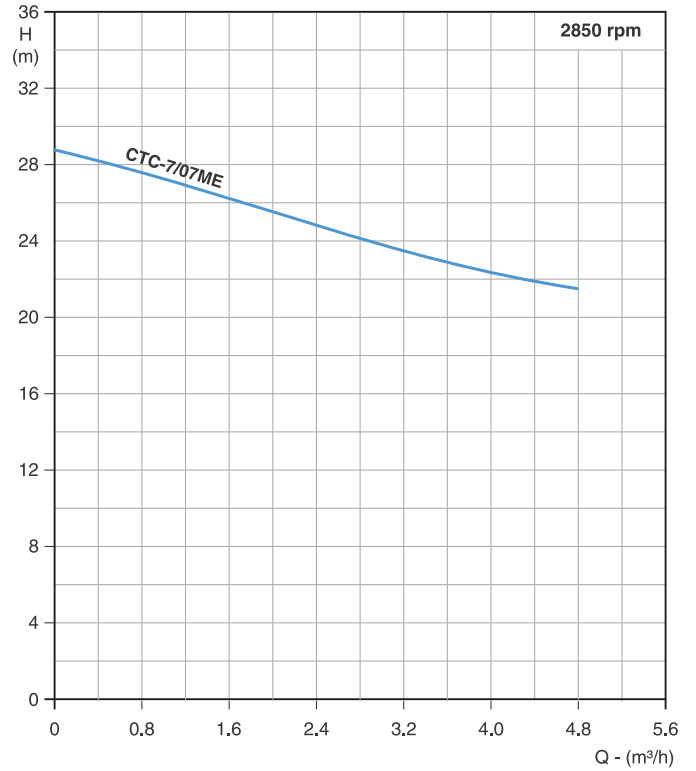
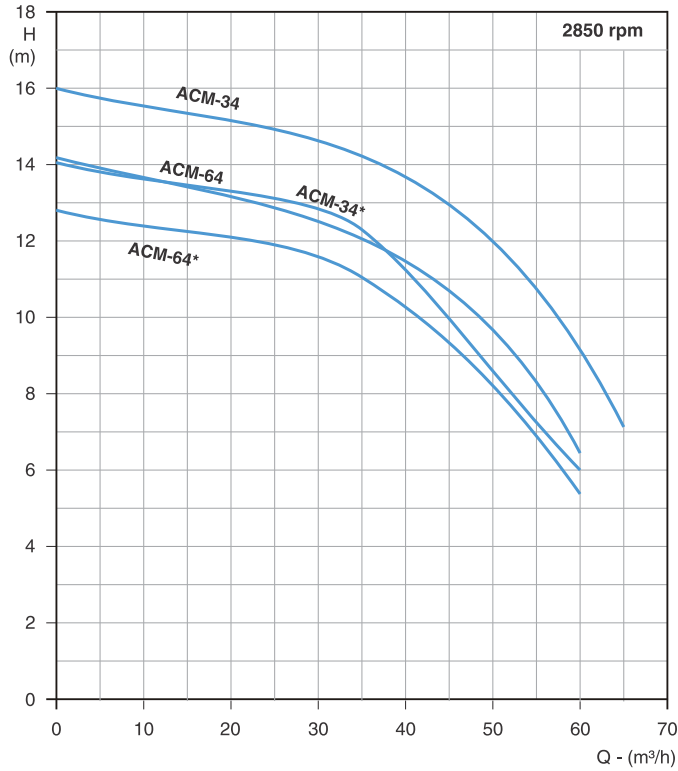
* Pump with reduced impeller diameter (OD) only for Bangladesh.

Performance curve tolerances are as per HI : 14.6 / ISO: 9906, Grade 3B
 In view of continuous developments the information / performance / descriptions / specifications / illustrations are subject to change without notice

Centrifugal Monoblock Pumps

ACM & CT SERIES

Performance Curves



Performance Table

Pump Model	Power		Current (Amps)		Suction x Delivery (Inches)	Flow (Q)	Head (m)																		
	kW	HP	1Ph 220-230V	3Ph 380-415V			Ips	0	1.4	2.8	4.2	5.6	6.9	8.3	9.7	11.1	12.5	13.9	15.3	16.7	18.1				
ACM-34	1.5	2	18	-	4 x 4	Head (m)	16	15.8	15.6	15.4	15.2	14.9	14.6	14.2	13.8	13	12	10.7	9.0	7.1					
ACM-64	2.2	3	18	-	4 x 4	Head (m)	14.2	14	13.7	13.5	13.2	12.8	12.5	12	11.4	10.6	9.7	8.2	6.3						
ACM-34*	2.2	3	18	-	4 x 4	Head (m)	14.06	13.8	13.7	13.5	13.3	13	12.8	12.2	11.2	10	8.3	7	6						
ACM-64*	2.2	3	18	-	4 x 4	Head (m)	12.82	12.5	12.4	12.3	12.2	12.1	11.7	11.5	10.2	9.2	8.2	6.4	5.2						

Pump Model	Power		Current (Amps)		Suction x Delivery (Inches)	Flow (Q)	Head (m)												
	kW	HP	1Ph 220-230V	3Ph 380-415V			Ips	0	0.1	0.2	0.3	0.4	0.6	0.7	0.8	0.9	1	1.1	1.2
CTC-7/07ME	0.75	1	5	-	1 x 1	Head (m)	28.7	28.1	27.5	26.8	26.2	25.5	24.9	24.3	23.6	23	22.2	21.3	19.7

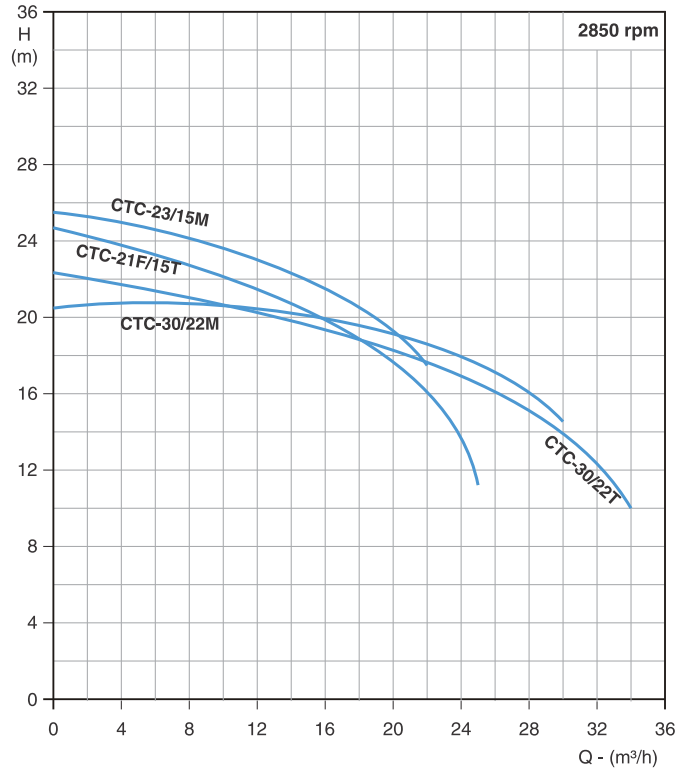
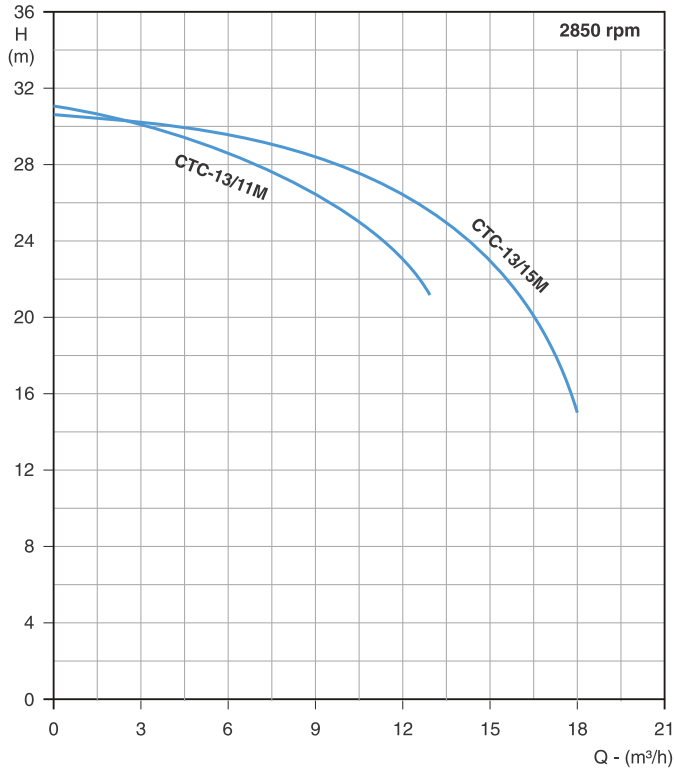
* Pump with reduced impeller diameter (OD) only for Bangladesh.

Performance curve tolerances are as per HI : 14.6 / ISO: 9906, Grade 3B
 In view of continuous developments the information / performance / descriptions / specifications / illustrations are subject to change without notice

Centrifugal Monoblock Pumps

ACM & CT SERIES

Performance Curves



Performance Table

Pump Model	Power		Current (Amps)		Suction x Delivery (Inches)	Flow (Q)	Head (m)									
	kW	HP	1Ph 220-230V	3Ph 380-415V			Ips	0	0.6	1.1	1.7	2.2	2.8	3.3	3.9	4.4
CTC-13/11M	1.1	1.5	10	3	1½x1¼	m³/h	0	2	4	6	8	10	12	14	16	18
CTC-13/15M	1.5	2	12.5	4	2x1½	Head (m)	31	30.3	29.6	28.8	27.6	25.8	23.4	21.3 (13m³/h)	-	-

Pump Model	Power		Current (Amps)		Suction x Delivery (Inches)	Flow (Q)	Head (m)												
	kW	HP	1Ph 220-230V	3Ph 380-415V			Ips	0	0.6	1.1	1.7	2.2	2.8	3.3	3.9	5	6.1	7.2	8.3
CTC-21F/15T	1.5	2	-	4	2 x 1½	m³/h	0	2	4	6	8	10	12	14	18	22	26	30	34
CTC-23/15M	1.5	2	12.5	4	2 x 1½	Head (m)	24.3	24	23.7	23.3	22.8	22.3	21.7	21	19	16.1	11.2 (25m³/h)	-	-
CTC-30/22M	2.2	3	12.5	-	2½ x 2	Head (m)	25.5	25.2	24.9	24.5	24.1	23.6	23.0	22.4	20.5	17.7	-	-	
CTC-30/22T	2.2	3	-	5	2½ x 2	Head (m)	20.2	20.3	20.4	20.4	20.4	20.3	20.2	20.1	19.5	18.4	16.6	14.2	-
						Head (m)	22.2	21.9	21.6	21.4	21.1	20.8	20.5	20.1	19	17.7	15.9	13.7	10

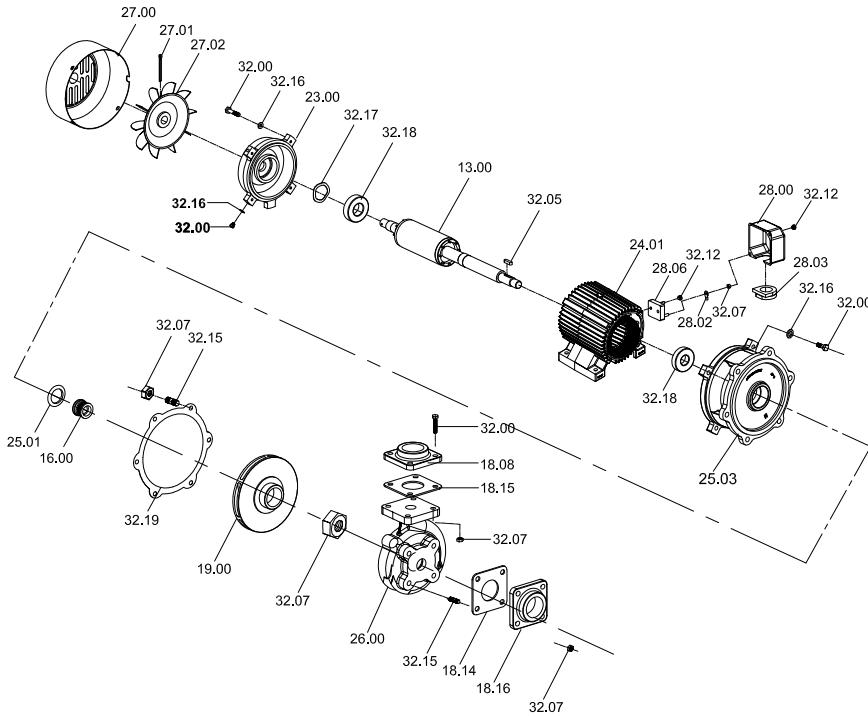
Performance curve tolerances are as per HI : 14.6 / ISO: 9906, Grade 3B
 In view of continuous developments the information / performance / descriptions / specifications / illustrations are subject to change without notice

Centrifugal Monoblock Pumps

ACM & CT SERIES

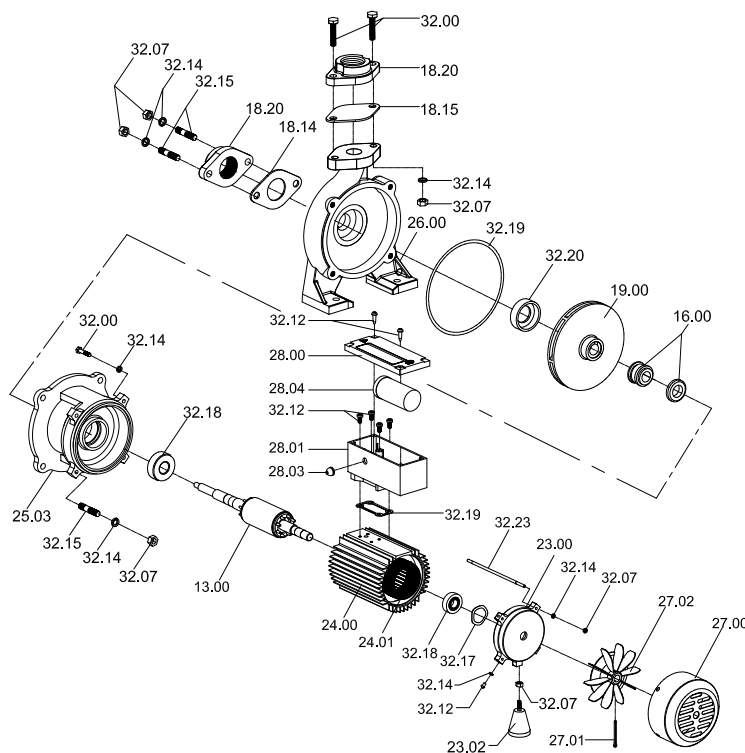
Exploded View

ACM Series - Cast Iron Frame



Part No.	Part Name
13.00	Rotor
16.00	Mechanical Seal
18.08	Delivery Flange
18.14	Suction Flange Rubber Washer
18.15	Delivery Flange Rubber Washer
18.16	Suction Flange
19.00	Impeller
23.00	Rear Cover
24.01	Wound Stator
25.01	Water Cutting Ring
25.03	Bracket
26.00	Unicasing
27.00	Cooling Fan Cover
27.01	Cooling Fan Split Pin
27.02	Cooling Fan
28.00	Terminal Box
28.02	Copper Lugs (Terminal End)
28.03	Wiring Gland
28.06	Terminal Board
32.00	Bolt
32.05	Key
32.07	Nut
32.12	Screw
32.15	Stud
32.16	Washer
32.17	Wave Washer
32.18	Bearing
32.19	Gasket

ACM Series - Aluminium Frame



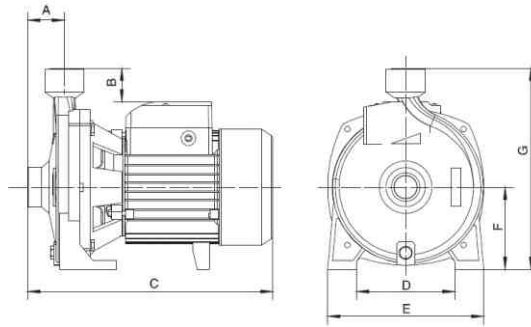
Part No.	Part Name
13.00	Rotor
14.02	Cable Grommet Lock Plate
16.00	Mechanical Seal
18.14	Suction Flange Rubber Washer
18.15	Delivery Flange Rubber Washer
18.20	Suction Cum Delivery Flange
19.00	Impeller
23.00	Rear Cover
24.00	Motor Frame
24.01	Wound Stator
25.03	Bracket
26.00	Unicasing
27.00	Cooling Fan Cover
27.01	Cooling Fan Split Pin
27.02	Cooling Fan
28.00	Terminal Box Top
28.01	Terminal Box Bottom
28.03	Wiring Gland
28.04	Capacitor
32.00	Bolt
32.05	Key
32.07	Nut
32.09	O-Ring
32.11	Plug
32.12	Screw
32.14	Spring Washer
32.15	Stud
32.16	Washer
32.17	Wave Washer
32.18	Bearing
32.19	Gasket
32.20	Base Collar
32.23	Tie Rod

In view of continuous developments the information / performance / descriptions / specifications / illustrations are subject to without notice.

Centrifugal Monoblock Pumps

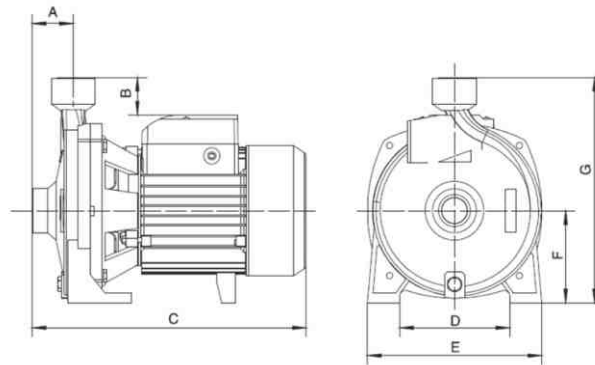
CT SERIES

General Arrangement Drawing (GAD), Dimensions & Weight Data



Pump Model	Power (kW)	Dimensions (mm)					
		A	C	D	E	F	G
CTC-20/22M	2.2	67	464	176	232	121	299
CTC-20/22T	2.2	67	464	176	232	121	299
CTC-21F/15M	1.5	70	430	104	200	108	270
CTC-30/22M	2.2	75	440	104	200	108	280
CTC-30/22T	2.2	75	440	104	200	108	280

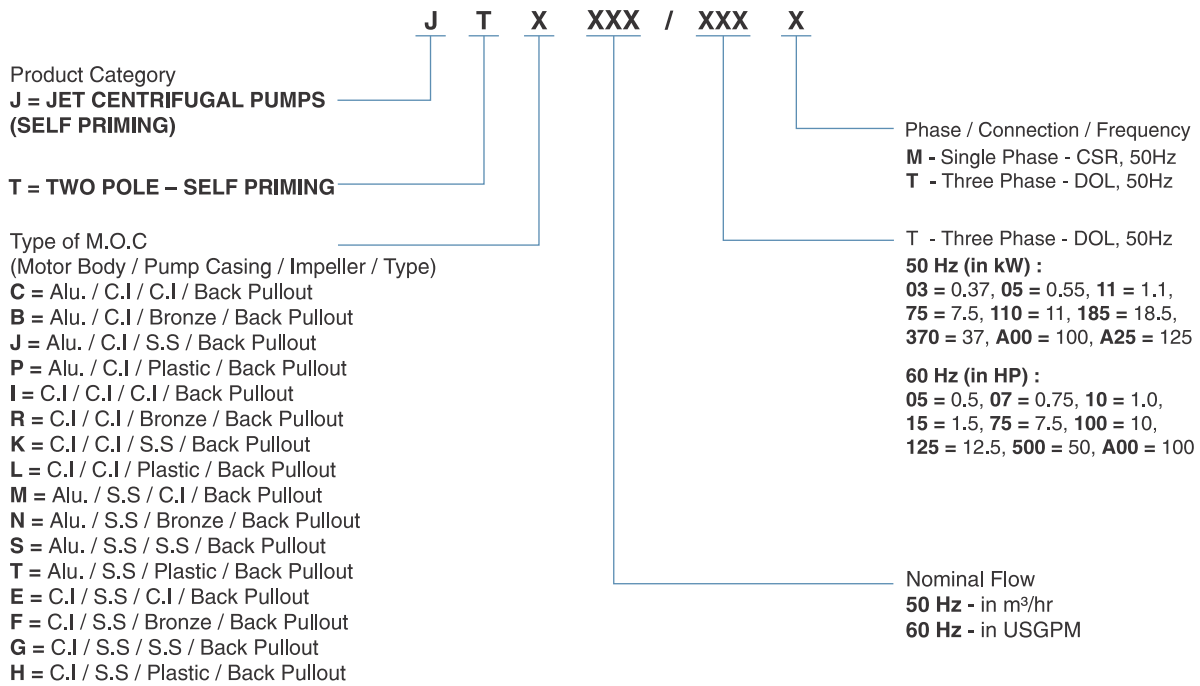
All dimensions are in mm unless otherwise specified



Pump Model	Power (kW)	Dimensions (mm)							Net Weight (kg)
		A	B	C	D	E	F	G	
CTC-13/15M	1.5	65	30	450.5	127.6	229.5	120	300	-
ACM-42	1.1	68	75	463	153	254	123	336	43
ACM-A6	0.75	77	-	399	93.5	161	94.5	263.5	26
CTC-7/07M	0.75	144	20.5	364	85.5	186.5	100.4	244	18.3
ACM-54	1.1	80.5	84	438	152	254	126.5	336	31.2
ACM-64	2.2	77.5	-	460	152	255.5	137.5	324	35

All dimensions are in mm unless otherwise specified

Model Identification Code (MIC)



Sample Description :

- Single Phase : JTB-3/07M, 0.75kW, 1Ph, 220-230V, 50Hz 1"x1" Jet Self-priming Pump
- JTS-3/07M, 0.75kW, 1Ph, 220-230V, 50Hz 1"x1" Jet Self-priming Pump
- Three Phase : JTB-3/07T, 0.75kW, 3Ph, 220-230V, 50Hz 1"x1" Jet Self-priming Pump
- JTS-3/07T, 0.75kW, 3Ph, 220-230V, 50Hz 1"x1" Jet Self-priming Pump

Jet Pumps

JTB & JTS SERIES

JTB & JTS Series



Description

JT Series pumps are self-priming type supplied with radial flow impeller for shallow well and sump application. These pumps are available in both single phase and three phase power supply and powered by a totally enclosed fan cooled motor for continuous duty. Jet pump's casing and ejector unit are designed carefully to give the best hydraulic efficiency and suction lift characteristic. The back pull out design facilitates ease of maintenance. JTS series are offered with fully stainless-steel pump portion for hygiene applications. Single phase pumps are thermally protected.

Design Features

- High efficiency
- Compact and rigid construction
- Back pull-out design
- Single phase pumps are thermally protected

Applications

- Booster and transfer application
- Pumping water from shallow well and sump
- Residence
- RO Systems
- Cooling system
- Washing systems
- Utility application in buildings and industries

SPECIFICATIONS

	JTB Series	JTS Series
Power Range(kW)	0.37 - 1.5kW	0.37 - 1.1kW
Speed	2850rpm	2850rpm
Versions	Single phase – 220-230V, 50Hz, A.C. Supply	Single phase – 220-230V, 50Hz, A.C. Supply
	Three phase - 380-415V, 50Hz A.C. supply	Three phase - 380-415V, 50Hz A.C. supply
Type of Duty	S1 Continuous Duty	S1 Continuous Duty
Degree of Protection	IP 44	IP 54
Class of Insulation	B	F
Electrical Connection	PSC - Single Phase	PSC - Single Phase
	DOL - Three Phase	DOL - Three Phase
Flow	to 6m ³ /h	to 4.8 m ³ /h
Head	to 56m	to 48m
Suction Lift with foot valve	to 7m	to 7 m
Shaft seal	Mechanical seal (Ceramic & Carbon)	Mechanical seal (Ceramic & Carbon)
Maximum Liquid Temperature	to 35°C	to 35°C
Maximum Ambient Temperature	to 50°C	to 50°C
Maximum Working Pressure	to 5.6bar	to 4.8bar
Suction & Delivery Size	1" x 1" & 1¼" x 1"	1" x 1"

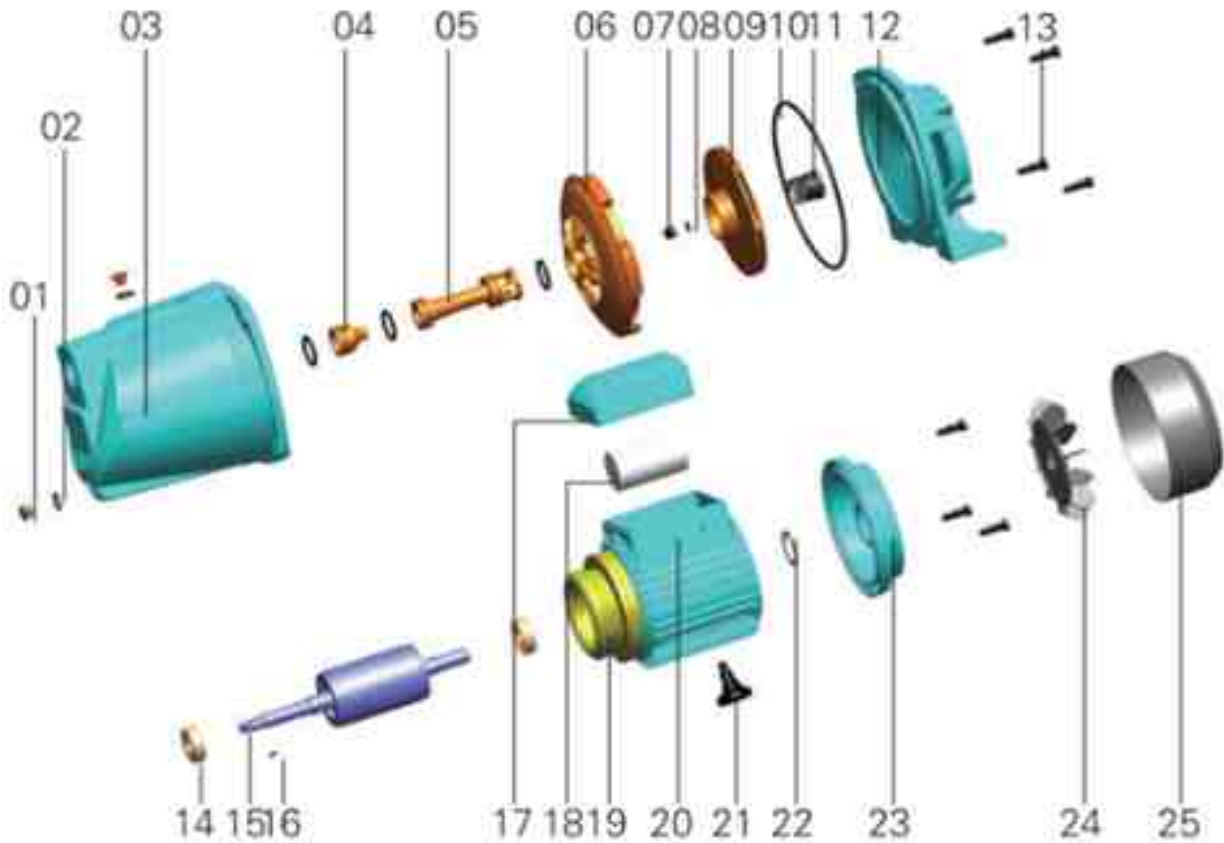
Material of Construction

PART NAME	JTB Series EN / DIN / SAE	JTS Series EN / DIN / SAE
Pump Casing	Cast Iron - EN-GJL-220 / GG20 / ASTM A48 Class 30 B	X5CrNi 18 9 / 1.4301 / ASTM A240 AISI 304
Impeller	CuZn38 / 2.0360 / ASTM B584 C87600	X5CrNi 18 9 / 1.4301 / ASTM A240 AISI 304
Diffuser	Engineering Plastic	Engineering Plastic
Venturi and Nozzle	Engineering Plastic	Engineering Plastic
Shaft	X5CrNi 18 9 / 1.4301 / ASTM A276 AISI 304	X5CrNi 18 9 / 1.4301 / ASTM A276 AISI 304
Shaft Seal	Mechanical Seal (Ceramic & Carbon)	Mechanical Seal (Ceramic & Carbon)
Motor Body	Aluminium - ADC 12 / ASTM A383 ADC12	Aluminium - ADC 12 / ASTM A383 ADC12

Jet Pumps

JTB & JTS SERIES

**Exploded View and Part Details
JTB SERIES**



Part No.	Part Name
01	Copper Plug
02	"O" Ring
03	Pump Casing
04	Venturi Nozzle
05	Venturi Tube
06	Diffuser
07	Cap Nut
08	Gasket
09	Impeller
10	"O" Ring
11	Mechanical Seal
12	Pump support
13	Hexagonal head bolt
14	Bearing
15	Rotor

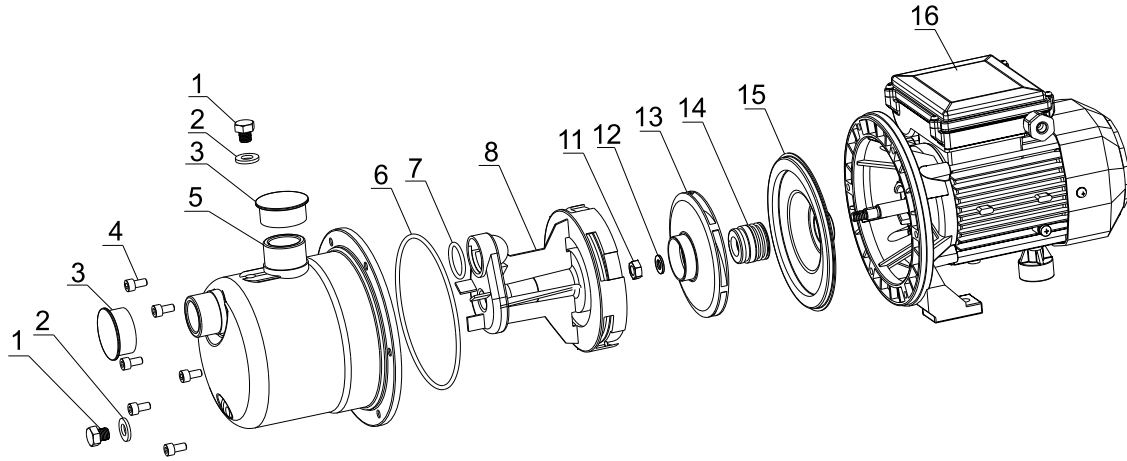
Part No.	Part Name
16	Key
17	Capacitor Box
18	Capacitor
19	Stator
20	Base
21	Arm-Brace
22	Wave Washer
23	End plate
24	Fan
25	Fan cover

Jet Pumps

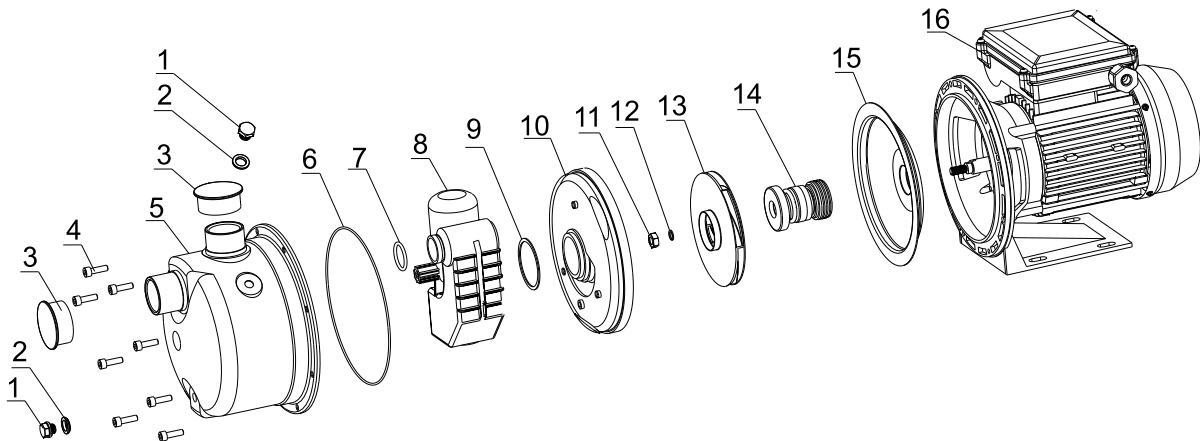
JTB & JTS SERIES

Exploded View and Part Details

JTS-3/05M



JTS-3/07M & JTS-3/11M

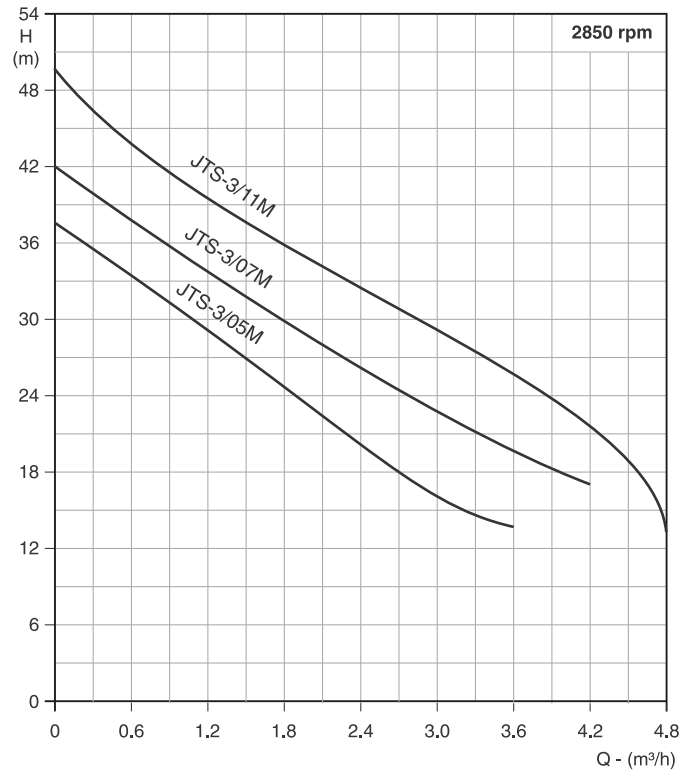
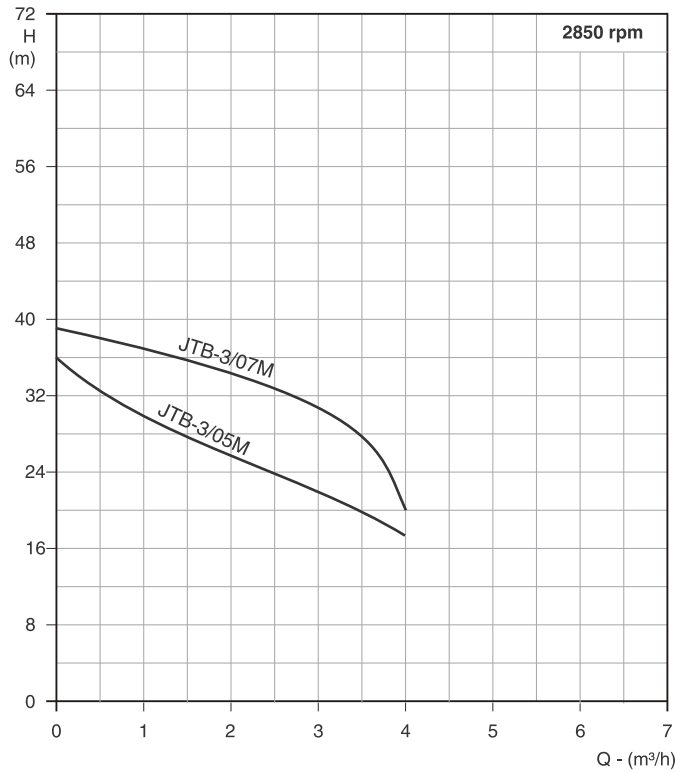


Part No.	Part Name
1	Plug
2	Washer
3	Dust Cap
4	Inside Hexagonal Bolt
5	Delivery Port
6	O-Ring
7	O-Ring
8	Ejector
9	Impeller Nut
10	Washer
11	Impeller
12	Mechanical Seal
13	Pump Cover
14	Terminal Box
15	Motor

Jet Pumps

JTB & JTS SERIES

Performance Curves & Table



Performance Table

Pump Model	Power		Current (Amps) 1 Ph 220V	Suction & Delivery size (inches)	Suction Lift (m)	Flow (m³/h)	Head (m)				
	kW	HP					0	1	2	3	4
JTB-3/05M	0.55	0.75	4.6	1 x 1	7	Head (m)	36	30	26	22	17
JTB-3/07M	0.75	1	5	1 x 1	7	Head (m)	39	37	31	26	18

Pump Model		Power		Current (Amps)		Suction & Delivery size (inches)	Suction Lift (m)	Flow (m³/h)	Head (m)								
Single Phase 220V	Three Phase 380V	kW	HP	1 Ph 220V	3 Ph 380V				0	0.6	1.2	1.8	2.4	3	3.6	4.2	4.8
JTS-3/05M	JTS-3/05T	0.55	0.75	2.4	1	1 x 1	6	Head (m)	38	33	29	24	20	16	14	-	-
JTS-3/07M	JTS-3/07T	0.75	1	3.8	1.4	1 x 1	6	Head (m)	42	36	34	30	26	22	20	17	-
JTS-3/11M	JTS-3/11T	1.1	1.5	5.2	1.8	1 x 1	6	Head (m)	50	44	40	36	32	29	25	22	10

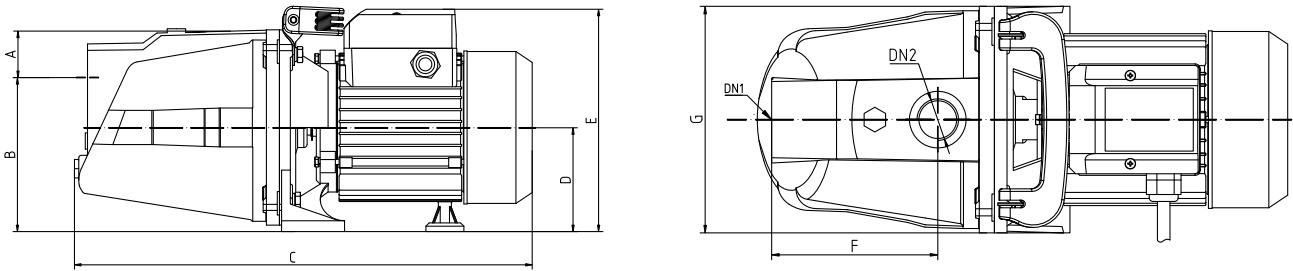
Performance curve tolerances are as per HI : 14.6 / ISO: 9906, Grade 3B
 In view of continuous developments the information / performance / descriptions / specifications / illustrations are subject to without notice.

Jet Pumps

JTB & JTS SERIES

General Arrangement Drawing (GAD), Dimensions & Weight Data

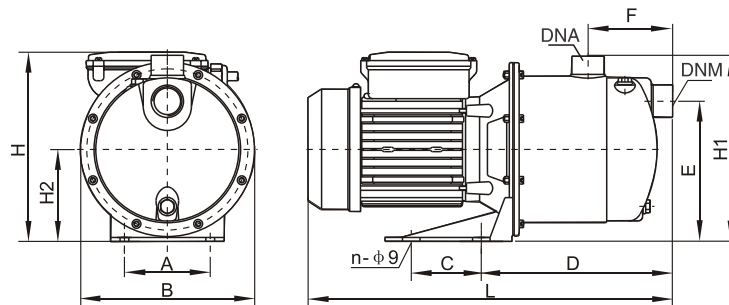
JTB Series



Pump Model	Power (kW)	Dimensions (mm)										Net Weight (kg)			
		DNA	DNM	A	B	C	D	E	F	G	H				
1Ph 220-230V															
JTB-3/05M	0.55	1"	1"	43	142	443.5	96	205	25	164	25	13.7			
JTB-3/07M	0.75	1"	1"	43	142	443.5	96	205	25	164	25	14.7			

All dimensions are in mm unless otherwise specified

JTS Series



Pump Model		Power (kW)	Dimensions (mm)													Net Weight (kg)
1Ph 220-230V	3Ph 380V		DNA	DNM	A	B	C	D	E	F	L	H	H1	H2	n	
JTS-3/05M	JTS-3/05T	0.55	1"	1"	100	171	-	198	128	90	358	177	178	88	2	8.3
JTS-3/07M	JTS-3/07T	0.75	1"	1"	98	184	-	160	148	80	357	200	202	98	2	9
JTS-3/11M	JTS-3/11T	1.1	1"	1"	98	184	-	160	148	80	357	200	202	98	2	11

All dimensions are in mm unless otherwise specified

W I N N I N G W A Y S

When you have a good thing going it is quite in the fitting of things that recognitions come our way. Several prestigious awards, which decorate our shelf, say it all. These rewards not only acknowledge our position as a leader in the water pump industry but also serve as reminders about what the customer expects from a winner. And we, as ever, have our ears perfectly tuned to customer expectations.



C.R.I. PUMPS (PVT) LIMITED

(International Division)

7/46-1, Keeranatham Road, Saravanampatty, Coimbatore - 641 035. India.

Phone : +91-422-7117310, 7117312, Fax : +91-422-7117300, e-mail : cri@crifluidsystems.com website : www.crifluidsystems.com

BOMBAS C.R.I. ESPAÑA, S.L.

Polígono Industrail El.Bony Calle 31, No. 137, 46470
Catarroja (Valencia) Spain.

Tel : +34-96 1842 974, Fax : +34-96 1842 977

E-mail : admin-es@crifluidsystems.com, www.crifluidsystems.com

C.R.I. BOMBAS HIDRÁULICAS LTDA

Av. Rodrigo Fernando Grillo, 457, Jd. Manacas,
CEP - 14.801-534, Araraquara - SP, **Brasil.**

Fone : +55-16-3331 1099, Fax : +55-16-3331 5344

e-mail : cri@cribombas.com.br website : www.cribombas.com.br

Filial : Jabotão dos Guararapes-PE, Brasil

Fone : (81) 3093-9620, Fax : (81) 3093-9600

C.R.I. PUMPS S.A. (PTY) LIMITED

Stand 63, Capital Hill Commercial Estate,

Chr. K101 & Le Roux Avenue, Midrand -1685,

Johannesburg. South Africa. Phone : +27 11 8058631 /32,

E-mail : cri-za@crifluidsystems.com, Fax : +27-11-8058630

Web : www.crifluidsystems.com

C.R.I. PUMPS (Shanghai) Co., Ltd.

Room 510, No 1855 Qixin Road, Minhang District,

Shanghai - 201101 China. Tel : +86-21-54405082, Fax : +86-21-54405083

e-mail : sales-chn@crifluidsystems.com web : www.crifluidsystems.com

C.R.I. FLUID SYSTEMS USA LLC.

620 N Fairfield St, Amarillo, Texas 79107, **USA.**

Tel : 832-430-4660 E-mail : sales.us@crifluidsystems.com

Website : www.crifluidsystems.com

C.R.I. FLUID SYSTEMS MEXICO

S.DE R.L. DE C.V

Cuidad De Mexico

E-mail : sales.mx@crifluidsystems.com

website : www.crifluidsystems.com

C.R.I. PUMPS (FZC)

P.O. Box : 7988 , L1-10, Sharjah Airport International Free Zone
(SAIF-Zone) **Sharjah.** United Arab Emirates (UAE),

Tel: +971-6-5573041, email: service-uae@crifluidsystems.com

web: www.crifluidsystems.com

C.R.I. FLUID SYSTEMS INC.,

Polyland Industrial Subdivision, Warehouse #3, Block 4,

Kendex St., Bo. Iba, Meycauyan, Bulacan. **Philippines.** Zip-3017.

Phone : +63 44 762 8887 / +63 44 802 6199, Fax : +63 44 762 8883

E-mail : sales_ph@crigroups.com

Website : www.crifluidsystems.com

PT. CRI FLUID SYSTEMS

Boutique Office Jalan Kawasan Industri & Pergudangan

Marunda Center Block C, No. 10, Kelurahan, Segaramakmur,

Kecamatan Tarumajaya Kabupaten, Bekasi,

Jawa Barat, **Indonesia** -17211. Telepon : 021 88998118

E-mail : sales.id@crifluidsystems.com,

Website : www.crifluidsystems.com