

BOTTOM SUCTION PUMPS - 50Hz

BS SERIES





C.R.I. PUMPS

Pumping trust. Worldwide.

T H E B E G I N N I N G

of C.R.I., way back in 1961, was a resolute attempt to produce a few irrigation equipments using the limited facilities of an in-house foundry. Eventually the founder's dream was coming true as the small production unit he started kept growing rapidly. Now, after more than five eventful decades, it is an enormous, widely reputed organization, which produces more than 2300 varieties of perfectly engineered pumps and motors and sells its products in numerous countries spread across 6 continents.

C . R . I . I S O N E A M O N G

the few pioneers in the world to produce 100% stainless steel submersible pumps. Having achieved a record production capacity of over 2 million pumps per annum, today C.R.I. is rubbing its shoulders with the best brands in the world, with advanced technology and safety standards as its hallmarks.

T H E I N F R A S T R U C T U R E

of C.R.I. is pretty comprehensive with state-of-the-art machineries and high potential in-house R&D recognised by the ministry of science and technology, Govt. of India - all within its own covered area of 300,000 square metres. The production environment is accredited with ISO 9001, ISO 14001 & OHSAS 18001 certifications and the products are CE, UR/UL, IEC, TSE & ISI certified. The R&D team always stays in tune with the changing scenario and seldom fails in coming up with outstanding solutions every time.

N E E D L E S S T O S A Y ,

behind this legendary growth lies the untiring, innovative, enthusiastic and dedicated team work. and, of course, a flawlessly maintained value system too. The name C.R.I. itself encapsulates the company's ethos: "Commitment, Reliability, Innovation".



C.R.I. Bottom Suction Pump (BS Series)

Understanding the multifarious need of present-day customers and the need of optimizing the efficiency C.R.I. produces BS Series bottom suction pumps suitable for several applications. These pumps are designed and developed by a proficient team backed by over 50 years of unmatched expertise of C.R.I in the pump industry.

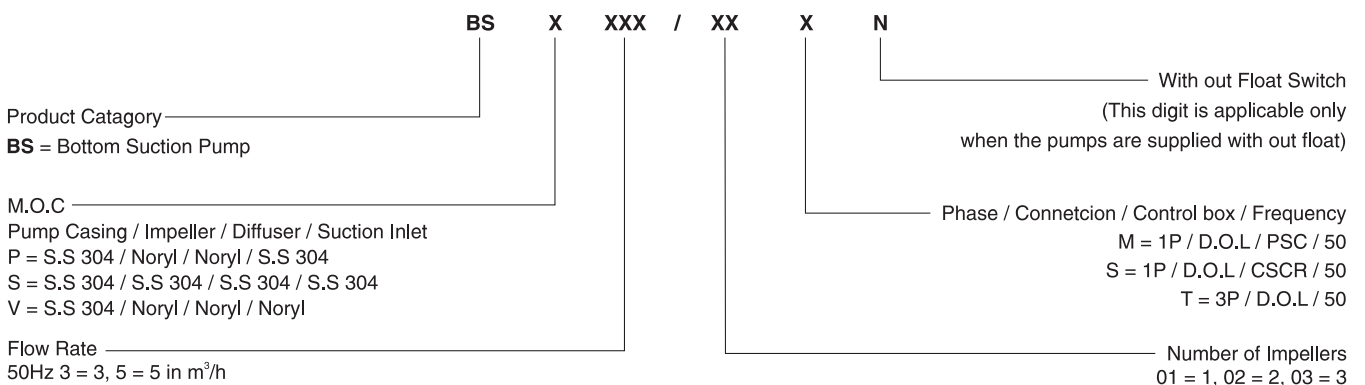
Most modern and highly sophisticated machinery and technology are employed in the manufacture of these pumps using quality raw material, dynamically balanced impellers, seals and ball bearings to ensure long life.

BS Series pumps are close-coupled type and available with multiple impellers and motor is protected by double sealing system with an oil chamber. These pumps are supplied with float switch, 15 metre lead out cable and control box (only for single phase).

Specifications (Motor & Pump)	
Max. Overall Dia.	: 134.5mm
Outlet Dia.	: 1 1/4" (32mm) BSP
Power Range	: 0.37kW - 1.2kW
Speed	: 2850 rpm
Versions	: 1 Ph, 230V - 50Hz A.C. Supply 3 Ph, 380V - 50Hz A.C. Supply
Class of Insulation	: F
Degree of Protection	: IP 68
Method of Starting	: 1 Ph - Permanent Split Capacitor (PSC) 3 Ph - Direct Online (DOL)

Operating Conditions	
Maximum fluid temperature	: up to +40°C
Maximum sand content	: 25 g/m ³
Maximum immersion depth	: 20m
Passage of Solids	: Upto 1.5mm

Model identification Code



Description : BSP - 3/05M, Bottom Suction Pump, 3m³/h, 5 stage, Single Phase.

Applications

- Domestic water supply
- Garden irrigation
- Pressure Boosting
- Rain water collection
- Sprinklers
- Civil and industrial applications

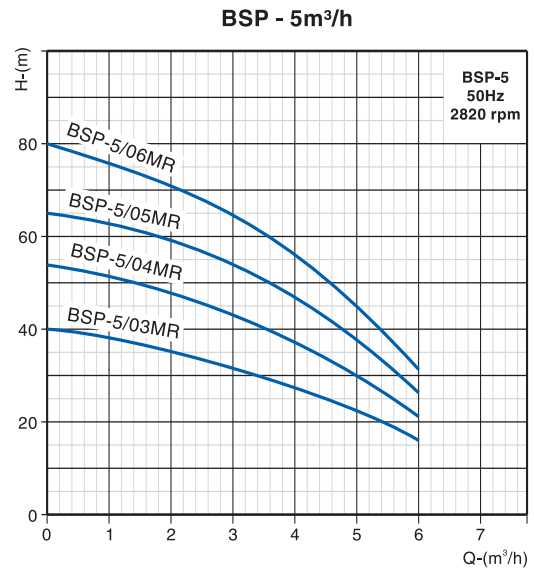
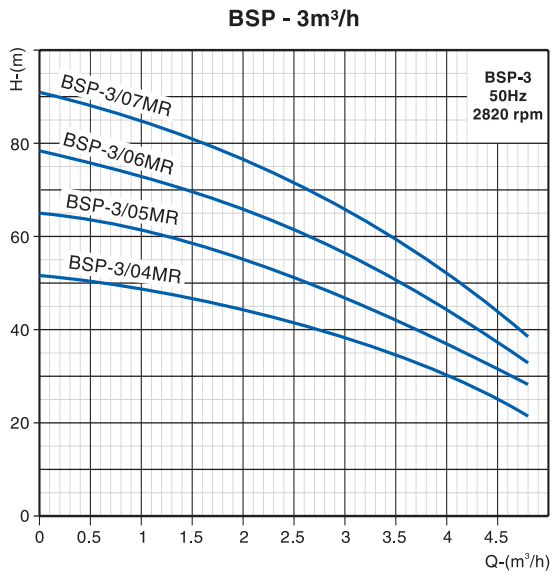
Features

- Fitted with thermal overload protector in single phase models.
- Float switch to avoid dry running.
- Corrosion free parts for hygiene.
- Most reliable double sealing.
- Self cooling system.
- Aesthetically designed.
- Can be operated in horizontal position.

Materials of Construction

Components	Material
Pump & Motor outer shell	S.S 304
Discharge outlet chamber	S.S 304
Impeller	PPO
Diffuser	PPO
Pump Shaft	S.S 420
Mechanical seal	Double mechanical seal (Carbon / Ceramics / Sic / Sic)
Lubricant	Non-toxic edible grade oil
Strainer	S.S 304

Performance Curve



Performance Table

NOMINAL FLOW - 3m³/h

OUTLET SIZE : 1¼"

Pump Model	Power		Current (A) 1Ph-230V	Capacitor (1Ph)	l/s m³/h	0	0.33	0.5	0.67	0.83	1.0	1.17	1.33
	kW	HP				0	1.2	1.8	2.4	3	3.6	4.2	4.8
BSP-3/04MR	0.6	0.8	4.4	20µF	Total Head in meters	52	48	45	42	38	33	28	22
BSP-3/05MR	0.8	1.0	5.4	25µF		65	60	56	52	47	41	35	28
BSP-3/06MR	1.0	1.3	6.5	30µF		78	72	68	62	56	50	42	33
BSP-3/07MR	1.2	1.6	7.4	35µF		91	84	79	73	66	58	49	39

NOMINAL FLOW - 5m³/h

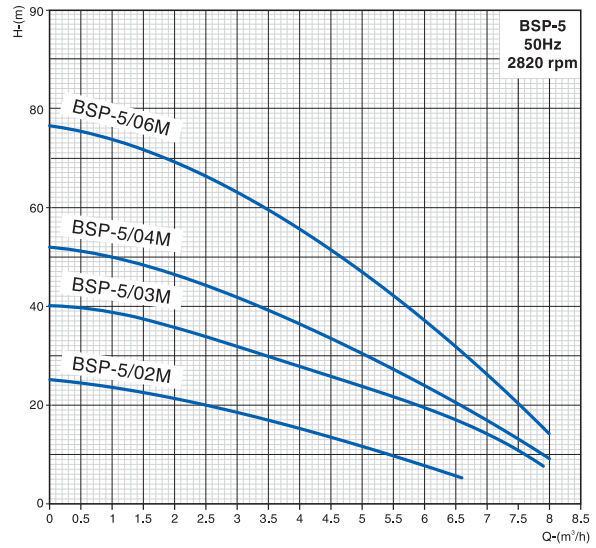
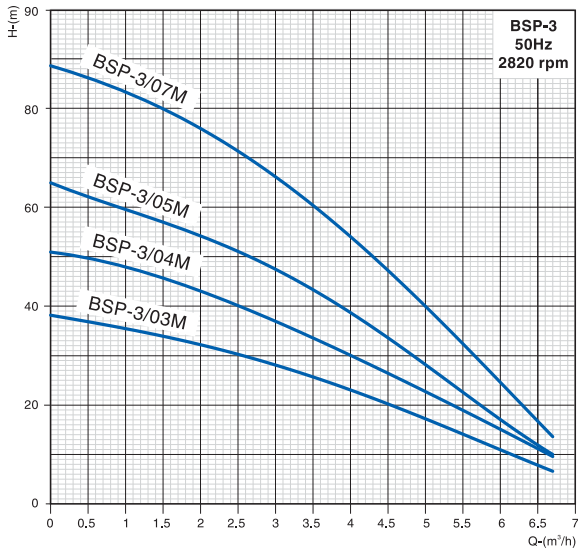
OUTLET SIZE : 1¼"

Pump Model	Power		Current (A) 1Ph-230V	Capacitor (1Ph)	l/s m³/h	0	0.5	0.67	0.83	1.0	1.17	1.33	1.5	1.67
	kW	HP				0	1.8	2.4	3	3.6	4.2	4.8	5.4	6
BSP-5/03MR	0.6	0.8	4.4	20µF	Total Head in meters	40	36	35	32	30	27	24	20	16
BSP-5/04MR	0.8	1.0	5.4	25µF		54	48	46	43	40	36	32	26	21
BSP-5/05MR	1.0	1.3	6.5	30µF		65	60	58	54	50	45	39	33	26
BSP-5/06MR	1.2	1.6	7.4	35µF		80	72	69	65	60	54	47	40	31

- Single phase models are available with and without float switch. For three phase models replace the letter "M" as "T" in the model name.

The performance data are at rated voltage and only indicative. Actual discharge depends on availability of water in the tank, height of water column from the suction inlet chamber. Curve tolerance according to ISO 9906, Annex A.

Performance Curve



Performance Table

NOMINAL FLOW - 3m³/h

OUTLET SIZE : 1¼"

Pump Model	Power		Current (A) 1Ph-230V	Capacitor (1Ph)	l/s m³/h	0	0.27	0.55	0.83	1.1	1.39	1.66	1.86
	kW	HP				0	1	2	3	4	5	6	6.7
BSP-3/03M	0.37	0.5	3	15µF	Total Head in meters	38	36	32	28	23	17	11	6.5
BSP-3/04M	0.55	0.75	5.5	20µF		51	48	43	37	30	23	14	10
BSP-3/05M	0.75	1	6.5	25µF		65	59	54	47	38	28	17	10
BSP-3/07M	1.1	1.5	8.5	30µF		89	83	76	66	54	40	25	13

NOMINAL FLOW - 5m³/h

OUTLET SIZE : 1¼"

Pump Model	Power		Current (A) 1Ph-230V	Capacitor (1Ph)	l/s m³/h	0	0.27	0.55	0.83	1.1	1.39	1.66	1.94	2.22
	kW	HP				0	1	2	3	4	5	6	7	8
BSP-5/02M	0.37	0.5	3	15µF	Total Head in meters	25	23	21	19	15	12	8	-	-
BSP-5/03M	0.55	0.75	5.5	20µF		40	38	36	33	28	24	19	14	-
BSP-5/04M	0.75	1	6.5	25µF		53	50	56	42	36	30	24	17	9
BSP-5/06M	1.1	1.5	8.5	30µF		77	74	69	63	56	47	38	27	14

- Single phase models are available with and without float switch. For three phase models replace the letter "M" as "T" in the model name.

The performance data are at rated voltage and only indicative. Actual discharge depends on availability of water in the tank, height of water column from the suction inlet chamber. Curve tolerance according to ISO 9906, Annex A.

Dimensions & Weight

BSP - 3m³/h

Pump Model	Required Power		Dimensions (mm)			Approx. Nett Weight in kg
	kW	HP	OD	RP	H2	
BSP-3/04MR	0.6	0.8	128.5	32	534	16.5
BSP-3/05MR	0.8	1.0	128.5	32	575	18
BSP-3/06MR	1.0	1.3	128.5	32	622	19.5
BSP-3/07MR	1.2	1.6	128.5	32	663	20.5

BSP - 5m³/h

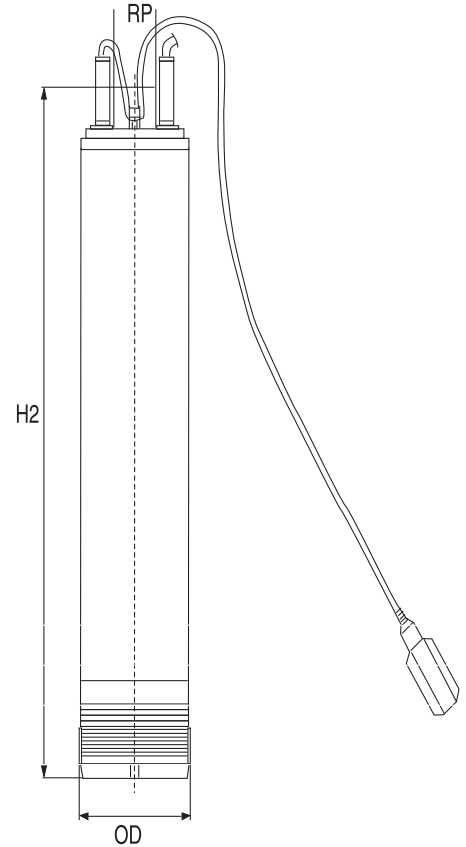
Pump Model	Required Power		Dimensions (mm)			Approx. Nett Weight in kg
	kW	HP	OD	RP	H2	
BSP-5/03MR	0.6	0.8	128.5	32	508	16.5
BSP-5/04MR	0.8	1.0	128.5	32	549	18
BSP-5/05MR	1.0	1.3	128.5	32	596	19.5
BSP-5/06MR	1.2	1.6	128.5	32	637	20

BSP - 3m³/h

Pump Model	Required Power		Dimensions (mm)			Approx. Nett Weight in kg
	kW	HP	OD	RP	H2	
BSP-3/03M	0.37	0.5	134.5	32	540	16.4
BSP-3/04M	0.55	0.75	134.5	32	575	17.4
BSP-3/05M	0.75	1.0	134.5	32	615	18.6
BSP-3/07M	1.1	1.5	134.5	32	688	21.8

BSP - 5m³/h

Pump Model	Required Power		Dimensions (mm)			Approx. Nett Weight in kg
	kW	HP	OD	RP	H2	
BSP-5/02M	0.37	0.5	134.5	32	515	16.2
BSP-5/03M	0.55	0.75	134.5	32	550	17.2
BSP-5/04M	0.75	1.0	134.5	32	585	18
BSP-5/06M	1.1	1.5	134.5	32	660	20.2



In view of continuous developments the information / performance / descriptions / specifications / Illustrations are subject to change without notice.



W I N N I N G W A Y S

When you have a good thing going it is quite in the fitting of things that recognitions come our way. Several prestigious awards, which decorate our shelf, say it all. These rewards not only acknowledge our position as a leader in the water pump industry but also serve as reminders about what the customer expects from a winner. And we, as ever, have our ears perfectly tuned to customer expectations.



C.R.I. PUMPS (PVT) LIMITED

(International Division)

7/46-1, Keeranatham Road, Saravanampatty, Coimbatore - 641 035. **India.**

Phone : +91-422-3911610, 3911612. Fax : +91-422-3911600, e-mail : cri@crifluidsystems.com website : www.crifluidsystems.com

BOMBAS C.R.I. ESPAÑA, S.L.

Poligono Industriail El.Bony Calle 31, No. 137, 46470

Catarroja (Valencia) **Spain.**

Tel : +34-96 1842 974, Fax : +34-96 1842 977

e-mail : cri@bombascri.es website : www.bombascri.es

BOMBAS C.R.I. ESPAÑA S.L. UNIPERSONAL

Via Linara 8, 82030, Limatola-BENEVENTO-**Italy**

Tel :+39. 0823 586 904

e-mail : cri@bombascri.it website:www.crifluidsystems.com

C.R.I. BOMBAS HIDRÁULICAS LTDA

Av. Rodrigo Fernando Grillo, 457, Jd. Manacas,

CEP - 14.801-534, Araraquara - SP, **Brasil.**

Fone : +55-16-3331 1099, Fax : +55-16-3331 5344

e-mail : cri@cribombas.com.br website : www.cribombas.com.br

Filial : Jabotão dos Guararapes-PE, Brasil.

Fone : (81) 3093-9620, Fax : (81) 3093-9600.

C.R.I. PUMPS S.A. (PTY) LIMITED

P.O. Box 6292, Halfway House, Midrand - 1685,

Johannesburg, **South Africa.**

Tel : +27-11-8058631 / 32, Fax : +27-11-8058630

e-mail : cri-za@crifluidsystems.com website : www.cripumps.co.za

Branches : Capetown : + 27-21-9499122

Durban : + 27-31-7001814

C.R.I. POMPA SANAYİ VE TİCARET LİMİTED ŞİRKETİ

10032 Sk. No:12 A.O.S.B. 35620 Çiğli-Izmir-Türkiye.

Tel : +90-232-328-328 22 99, Fax : +90-232-328 23 33

e-mail : cri@cripompa.com website : www.cripompa.com

PT. CRI FLUID SYSTEMS

Kawasan Industri dan Pergudangan Marunda Center

Blok B No: 23 Jalan Marunda Makmur, Segaramakmur, Tarumajaya,

Kab. Bekasi, Jawa Barat 17211, **Indonesia**, Ph : 021-8899 7558

Email : sales.id@crifluidsystems.com Website : www.crifluidsystems.com

C.R.I. FLUID SYSTEMS USA LLC

4655 Wright Road, Ste. 140, Stafford, TX 77477, **USA.**

Tel : 832-430-4660 Email : sales@crigroups.us

Website : www.crigroups.us

C.R.I. PUMPS (FZC)

P.O. Box 7988, A4-12 SAIF-Zone, **Sharjah**, U.A.E.

Tel : +971-6-5573041 (3 Lines), Fax : +971-6-5573042

e-mail : cri-uae@crifluidsystems.com website : www.crifluidsystems.com

C.R.I. FLUID SYSTEMS INC.,

Polyland Industrial Subdivision, Warehouse #3, Block 4,

Kendex St., Bo. Iba, Meycauayan, Bulacan. **Philippines**, Zip-3017.

Phone : +63 44 762 8887 / +63 44 802 6199, Fax : +63 44 762 8883.

e-mail : sales.ph@crigroups.com

Website : www.crifluidsystems.com

C.R.I. FLUID SYSTEMS (BD) LTD.,

Ground Floor, Unit-1 Holding No 212, Tejgaon Industrial Area,

Tejgaon - Gulshan Link Rd, Dhaka - 1208, **Bangladesh**

Website : www.crifluidsystems.com

C.R.I. PUMPS (Shanghai) Co., Ltd.

Room 902, Building No.7, 1855 Qixin Road,

Minhang District, **Shanghai** - 201101. China.

Tel : +86-21-54405082, Fax : +86-21-54405083

e-mail : cri@bombascri.com.cn

website : www.bombascri.com.cn

SUZHOU C.R.I. PUMPS CO., LTD.

No.198, Shexi Road, Beishe Community, Lili Town,

Wujiang District, Suzhou City,

Jiangsu Province, China.

Tel: +86-512-63433668 | Fax : +86-512-634 33667,

e-mail : cri@crisuzhou.com.cn | website : www.bombascri.com.cn