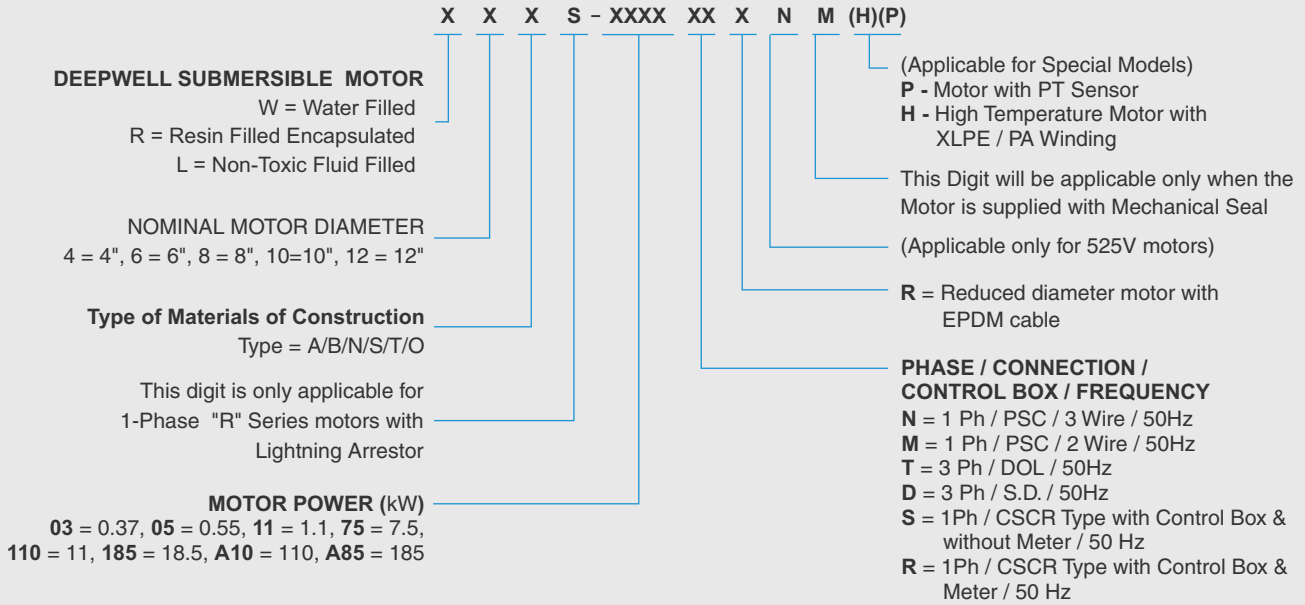


SUBMERSIBLE MOTORS



MODEL IDENTIFICATION CODE

DEEPWELL SUBMERSIBLE MOTOR



<u>DEEPWELL SUBMERSIBLE PUMP SET (Pump + Motor)</u>		
PUMP MODEL	+	MOTOR MODEL
S X X - XXX / XX	+	X X X - XXX X
<u>DEEPWELL SUBMERSIBLE PUMP SET (Pump + Motor)</u>		
PUMP MODEL	+	MOTOR MODEL
S6S - 18 / 03	+	W6A - 22 T

WATER FILLED REWINDABLE SUBMERSIBLE MOTORS

Nominal Diameter : **7"**

"W" Series

Technical Specifications

Nominal Dia	7" (175mm)
Maximum Outer Diameter	180 mm
Power Range	37 kW to 75 kW - Three Phase
Speed	2900 rpm
Version	Three Phase - 380 V - 415 V, 50 Hz, A.C Supply
Class of Insulation	Y
Degree of Protection	IP 68
Direction of Rotation	Electrically Reversible - Three Phase
Type of Duty	S1 (Continuous)
Down Trust Load	37 to 75 kW - 45500 N
Minimum Cooling Flow Along the Motor	0.16 m/sec
Maximum Liquid Temperature	Standard - 30°C, High Temp - 50°C, Beyond 50°C can also be supplied with derated motor
Max. Starts per Hour	4 Times
Shaft End	Splines
Mounting Standard	NEMA
Method of Starting	Direct On Line (DOL) Star Delta (SD)
Cable Lead out	Permanently Connected and Sealed 3/6 Core EPDM Rubber Insulated Flat Cable
Thermal Protection	Optional - PT Sensor



Material of Construction

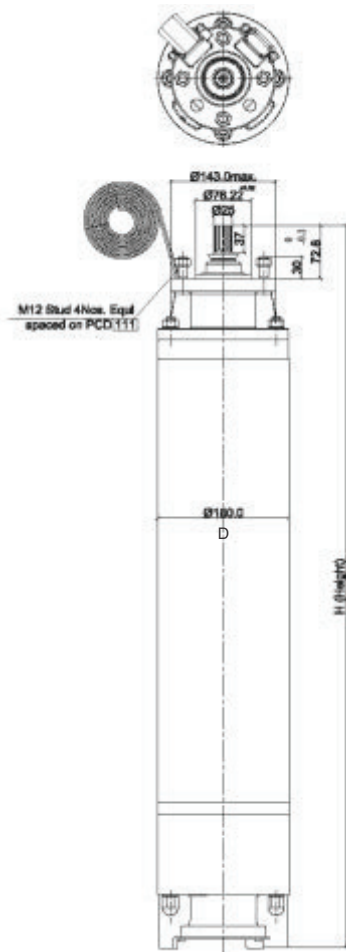
Part Name	Type - B
Shaft Seal Housing	Cast Iron
Shaft Seal (Oil Seal)	Nitrile Rubber (NBR)
Upper & Lower Housings	Cast Iron
Stator Shell	SS - 304
Thrust Pad	Carbon Graphite
Thrust Bearing	SS - 420
Diaphragm	High Nitrile Rubber
Motor Base	Cast Iron
Shaft	EN-8
Shaft Extension	17 - 4 ph
Sleeves	SS - 431

WATER FILLED REWINDABLE SUBMERSIBLE MOTORS

Nominal Diameter : **7"**

"W" Series

Technical Data



All Dimensions are in mm
 Splined Shaft : 15 Teeth -
 Module 1.5875
 Pressure Angle 30°
 A.N.S.I.B - 92 - 1 - 1970
 Tolerance Class 5

7" THREE PHASE 380V, D.O.L. & S.D MOTORS

Model		Motor Power		Full Load Max (A)	Starting Current (A)	Full load		Max. Down Thrust Load (N)	Starting Torque (Nm)	Torque (Nm)
DOL	SD	kW	HP			Eff.%	Power Factor			
W7B-370T	W7B-370D	37	50	69	256	83.6	0.82	45500	160	122
W7B-450T	W7B-450D	45	60	94.5	288	84	0.88	45500	225	148
W7B-550T	W7B-550D	55	75	116	375	84.5	0.88	45500	310	182
W7B-630T	W7B-630D	63	85	130	467	85	0.85	45500	350	208
W7B-750T	W7B-750D	75	100	156	542	85	0.84	45500	420	248

7" THREE PHASE 400V, D.O.L. & S.D MOTORS

Model		Motor Power		Full Load Max (A)	Starting Current (A)	Full load		Max. Down Thrust Load (N)	Starting Torque (Nm)	Torque (Nm)
DOL	SD	kW	HP			Eff.%	Power Factor			
W7B-370T	W7B-370D	37	50	75	270	84.5	0.81	45500	180	122
W7B-450T	W7B-450D	45	60	90	303	85	0.87	45500	250	148
W7B-550T	W7B-550D	55	75	114	395	85.8	0.87	45500	348	181
W7B-630T	W7B-630D	63	85	127	491	86	0.84	45500	380	207
W7B-750T	W7B-750D	75	100	148	570	85	0.86	45500	480	247

7" THREE PHASE 415V, D.O.L. & S.D MOTORS

Model		Motor Power		Full Load Max (A)	Starting Current (A)	Full load		Max. Down Thrust Load (N)	Starting Torque (Nm)	Torque (Nm)
DOL	SD	kW	HP			Eff.%	Power Factor			
W7B-370T	W7B-370D	37	50	80	280	86	0.80	45500	200	122
W7B-450T	W7B-450D	45	60	92	315	85	0.85	45500	268	149
W7B-550T	W7B-550D	55	75	112	410	87	0.85	45500	370	180
W7B-630T	W7B-630D	63	85	126	510	88	0.84	45500	410	206
W7B-750T	W7B-750D	75	100	151	592	89	0.84	45500	520	246

DIMENSIONS AND WEIGHT

Model	Motor Power		*Method of Starting	Dimension (mm)		Nett Weight (Kg) (Approx.)	Cable Leadouts		
	kW	HP		D	H1		Cable Size (Sq.mm)		Cable Length (m)
							D.O.L	S.D	
W7B-370	37	50	T / D	180	1181	153	16	10	4
W7B-450	45	60	T / D	180	1411	179	16	10	4
W7B-550	55	75	T / D	180	1531	199	25	16	5
W7B-630	63	85	T / D	180	1591	201	35	16	5
W7B-750	75	100	T / D	180	1641	220	35	25	5

In view of continuous developments, the informations / descriptions / specifications / illustrations are subject to change without notice. Refer general information for performance curve conditions and for other details. Curve tolerance according to ISO : 9906, Grade 3B.