

An ISO 9001 & ISO 14001 Company



C.R.I. PUMPS
Pumping trust. Worldwide.



*For specific models only.

Swimming Pool Pumps - **50Hz**



SWIMMING POOL PUMPS

With an unremitting commitment to developing and manufacturing ingenious products since 1960's, C.R.I. has now introduced a new range of Swimming Pool pumps in addition to the broad spectrum of its existing products used for versatile applications.

C.R.I.'s swimming pool pumps are developed with the combination of immense experience, cutting edge technology and integrated quality control system complying with internationally accepted standards.

C.R.I.'s "Vista" and "Nova" series swimming pool pumps are self-priming type inbuilt with pre filter basket for cleaning the pool water. The mechanical seals are made of graphite and alumina with close tolerance for perfect sealing systems and the dynamically balanced rotary parts ensure vibration and noise free operation. All the parts of both pumps and motors are made of high quality materials to enhance the life span and efficiency. All single phase pumps are equipped with thermal protector to protect the motor from adverse operating conditions.



VISTA

NOVA

Applications

Swimming pool filtration and recycling.

Materials of construction

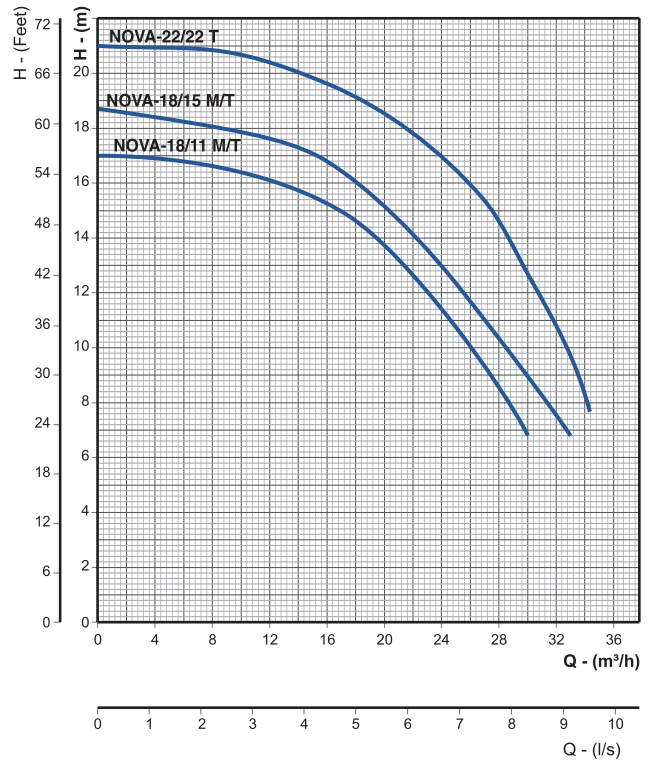
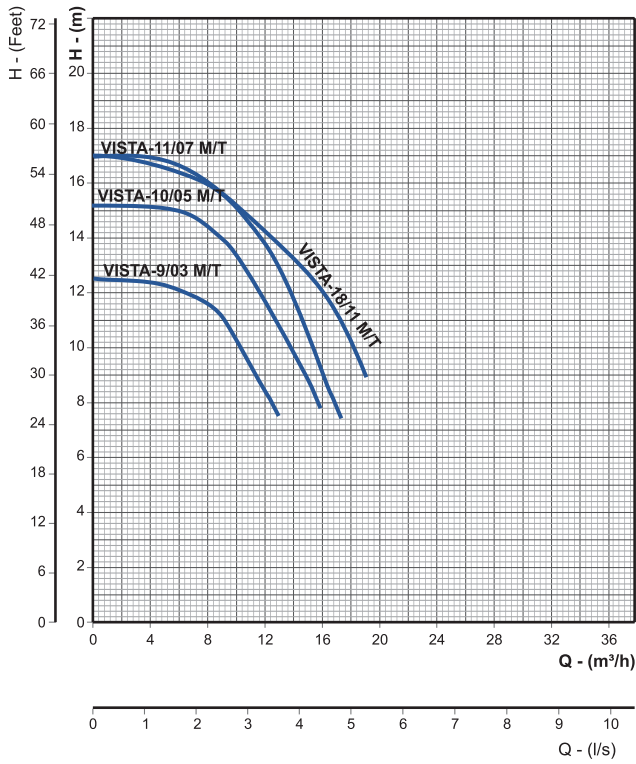
Pump body	:	Glass loaded polypropilen
Diffuser	:	Glass loaded polypropilen
Pump foot	:	Glass loaded polypropilen
Impeller	:	Glass loaded noryl
Motor shaft	:	S.S. 420
Mechanical seal	:	Graphite and alumine
Motor body	:	Aluminium L-2521

Technical Specification Motor

Type	:	Asynchronous
Degree of protection	:	IP55
Pole	:	2 pole
Insulation Class	:	Class F
Duty	:	S1

All Single Phase pumps are inbuilt with TOP (Thermal over load protector).

Performance Curves



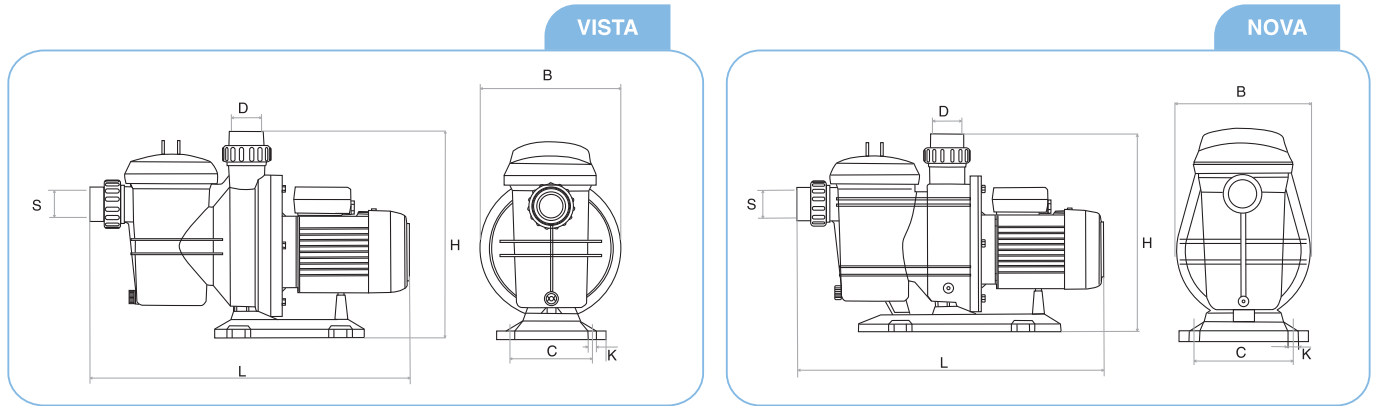
Performance Tables

Model	kW	HP	l/s m³/h	0	0.83	1.67	2.5	3.33	4.17	5	6.67
				0	3	6	9	12	15	18	24
VISTA-9/03 M/T	0.37	0.5	Total Manometric Head in Metres	12.5	12.4	12.1	11.1	8.4	7.5 (12.9m³/h)		
VISTA-10/05 M/T	0.5	0.75		15.2	15.1	15	14	11.8	8.8	7.8 (15.9m³/h)	
VISTA-11/07 M/T	0.75	1.0		17	16.8	16.4	15.6	13.7	10.5	7.5 (17.4m³/h)	
VISTA-18/11 M/T	1.1	1.5		17	17	16.5	15.5	14.2	13	10	9 (19m³/h)

Model	kW	HP	l/s m³/h	0	1.67	3.33	5	6.67	8.33	10
				0	6	12	18	24	30	36
NOVA-18/11 M/T	1.1	1.5	Total Manometric Head in Metres	17.0	16.9	16.1	14.6	11.4	8.8	
NOVA-18/15 M/T	1.5	2.0		18.7	18.2	17.9	16.0	13.0	9.0	6.9 (33 m³/h)
NOVA-22/22 T	2.2	3.0		21.0	20.9	20.5	19.1	17.0	13.7	7.7 (34.2 m³/h)

M - Single Phase, T - Three Phase.

Dimensional Drawing



Dimensional Data

Motor Model	L	B	H	S	D	C	K	Weight (kg)
VISTA-9/03M	560	280	380	Ø 50	Ø 50	160	4 - Ø 10	8.7
VISTA-10/05M	560	280	380	Ø 50	Ø 50	160	4 - Ø 10	9.3
VISTA-11/07M	560	280	380	Ø 50	Ø 50	160	4 - Ø 10	10.4
VISTA-18/11M	560	280	380	Ø 50	Ø 50	160	4 - Ø 10	15

Motor Model	L	B	H	S	D	C	K	Weight (kg)
NOVA-18/11M	670	305	445	Ø 63	Ø 63	230	4 - Ø 10	16.6
NOVA-18/15M	670	305	445	Ø 63	Ø 63	230	4 - Ø 10	19
NOVA-22/22T	670	305	445	Ø 63	Ø 63	230	4 - Ø 10	18.3

In view of continuous development, the information / descriptions / specifications / illustrations are subject to change without notice.

C.R.I. PUMPS (PVT) LIMITED

(International Division)

7/46-1, Keeranatham Road, Saravanampatty, Coimbatore - 641 035. INDIA. Phone : +91-422-3911610, 3911612
Fax : +91-422-3911600 e-mail : cri@criexports.com website: www.cripumps.com

C.R.I. PUMPS S.A. (PTY) LIMITED

P.O. Box 6292, Halfway House, Midrand - 1685, Johannesburg, South Africa. Tel : +27-11-8058631 / 32 Fax : +27-11-8058630
e-mail : cri@cripumps.co.za website : www.cripumps.co.za

C.R.I. POMPA SANAYİ VE TİCARET LİMİTED ŞİRKETİ

10032 Sk. No:12 A.O.S.B. 35620 Çiğli-Izmir-Türkiye.
Tel:+90-232-328 22 99 Fax:+90-232-328 23 33
E-mail: cri@cripompa.com Website: www.cripompa.com

C.R.I. PUMPS (FZE)

P.O. Box 7988, A4-40 SAIF-Zone, Sharjah, U.A.E.
Tel : +971-6-5573041 (3 Lines), Fax : +971-6-5573042
e-mail : cripumps@eim.ae

C.R.I. BOMBAS HIDRÁULICAS LTDA

Av. Rodrigo Fernando Grillo, 457, Jd. Manacas, CEP - 14.801-534, Araraquara - SP, Brasil.
Fone : +55-16-3331 1099, Fax +55-16-3331 5344
e-mail : cri@cribombas.com.br website : www.cribombas.com.br

BOMBAS C.R.I. ESPAÑA, S.L.,

Poligono Industrial El.Bony Calle 31, No.137, 46470 Catarroja(Valencia) Spain.
Tel: +34-96 1842 974 Fax: +34-96 1842 977

Email: cri@bombascri.es Website: www.bombascri.es