



C.R.I. FLUID SYSTEMS

Pumping trust. Worldwide.

A FULLY INTEGRATED
SYSTEM TO PROVIDE
COST EFFECTIVE
PUMPING SOLUTIONS FOR
**WATER AND WASTE
WATER MANAGEMENT**



NOT JUST PUMPS, COMPLETE SYSTEMS THAT PROVIDE AFFORDABLE SOLUTIONS

True to the affirmation, not just pumps, solutions, C.R.I. has always looked at the larger picture to ensure that customers get what they expect – results. With a keen understanding of customer expectations worldwide, the company brings to the fore its considerable resources in terms of infrastructure, In-house R&D and an innate perception of ground realities to bring in innovative solutions that has most often set the benchmark.

WATER RESOURCE MANAGEMENT MADE EASY

when it comes to water resources management or waste water treatment / disposal C.R.I. has the perfect solution. The time tested and proven system integrates pumps and accessories seamlessly to meet a wide range of applications. This include irrigation, flood control, drinking water, water treatment, waste water/sewage/effluent treatment, desalination and industrial water supplies etc.



C.R.I. also offers pumping solution to convert from raw/sewage/waste water to potable water for drinking water supply, industrial purpose and irrigation.

Apart from this the system is perfect for water treatment : intake, raw water, filtered/screened water, feed water, high pressure, back wash, chlorination, boosting, distribution etc., Sewage/effluent treatment : sludge water, screened water, primary, secondary and tertiary treatment, feed water, filtered water, high pressure, back wash, rejection, boosting, distribution etc., Desalination plant : Sea water intake, raw water, filtered water, High pressure feed water, back wash, rejection water, chlorination, Water transport, Boosting, distribution etc.,



ECW SERIES

EN733 - END SUCTION PUMP

Application

- Backwash application in water treatment plant
- Raw water supply
- Treated water supply
- Feed water supply



Specifications	50Hz	60Hz
Flow	upto 600 m ³ /hr	upto 2641 GPM
Head	upto 160 m	upto 524 Feet
Outlet Size	upto 150 mm	upto 6" inch
Power	upto 200 kW	upto 268 hp
Speed	960/1450/2900 RPM	1800/3600 RPM
Max. Working Pressure	upto 16 bar	upto 16 bar
Liquid Temperature	upto 90°C	upto 194°F
Flange Standard	DIN	ANSI / DIN
Material of Construction (MOC)	Cast Iron & Bronze	Cast Iron & Bronze
Optional	Stainless steel, Duplex, Super Duplex & Alloy steels	Stainless steel, Duplex, Super Duplex & Alloy steels

CCW SERIES

CLOSE COUPLED PUMP

Application

- Water supply
- Backwash application in water treatment plant
- Fire water service
- Feed water supply



Specifications	50Hz	60Hz
Flow	upto 550 m ³ /hr	upto 2641 GPM
Head	upto 95 m	upto 524 Feet
Outlet Size	upto 150 mm	upto 6" inch
Power	upto 45 kW	upto 60 hp
Speed	1450/2900 RPM	1800/3600 RPM
Max. Working Pressure	upto 16 bar	upto 16 bar
Liquid Temperature	upto 90°C	upto 194°F
Flange Standard	DIN	ANSI / DIN
Material of Construction (MOC)	Cast Iron & Bronze	Cast Iron & Bronze
Optional	Stainless steel, Duplex, Super Duplex & Alloy steels	Stainless steel, Duplex, Super Duplex & Alloy steels

SCW SERIES

HORIZONTAL SPLIT CASE PUMP

Application

- Permeate & rejection water supply
- Treated water transfer and distribution
- Irrigation & flood control
- Raw water intake & supply
- Feed water supply



Specifications	50Hz	60Hz
Flow	upto 4200 m ³ /hr	upto 17611 GPM
Head	upto 170 m	upto 490 Feet
Outlet Size	upto 450 mm	upto 18" inch
Power	upto 1460 kW	upto 1206 hp
Speed	960/1450/2900 RPM	900/1100/1750 RPM
Max. Working Pressure	upto 16 bar	upto 16 bar
Liquid Temperature	upto 90°C	upto 194°F
Flange Standard	DIN / ANSI	DIN / ANSI
Material of Construction (MOC)	Cast Iron & Bronze	Cast Iron & Bronze
Optional	Stainless Steel, Duplex, Super Duplex & Alloy steels	Stainless Steel, Duplex, Super Duplex & Alloy steels

VS & VC SERIES

VERTICAL INLINE CLOSE COUPLED PUMP

Application

- Water Transfer
- Fire water service
- Utility water supply



Specifications	50Hz
Flow	upto 503 m ³ /hr
Head	upto 96 m
Outlet Size	upto 200 mm
Power	upto 90 kW
Speed	1450/2900 RPM
Max. Working Pressure	upto 16 bar
Liquid Temperature	upto 90°C
Flange Standard	DIN
Material of Construction (MOC)	Cast Iron & Bronze

* Contact manufacturer for 60Hz requirement

WATER MANAGEMENT SOLUTIONS

VTP SERIES VERTICAL TURBINE PUMP

Application

- Irrigation & flood control
- Raw water intake & supply
- Treated water transfer & distribution
- Rejection water supply system in water treatment plant

Specifications	50Hz	60Hz
Flow	upto 10000 m ³ /h	upto 44028 GPM
Head	upto 200 m	upto 656 Feet
Outlet Size	upto 900 mm	upto 36" inch
Power	upto 2100 kW	upto 1340 hp
Speed	960/1450/2900 RPM	600/720/900/1200/1750/3500 RPM
Max. Working Pressure	upto 25 bar	upto 20 bar
Liquid Temperature	upto 90°C	upto 194°F
Flange Standard	DIN / ANSI	DIN / ANSI
Material of Construction (MOC)	Cast Iron, Bronze & Stainless steel	Cast Iron, Bronze & Stainless steel
Optional	Duplex & Super Duplex	Duplex & Super Duplex

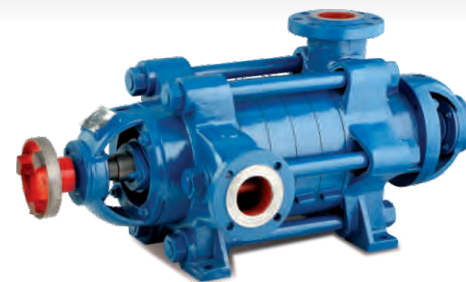


HMW SERIES HORIZONTAL MULTISTAGE PUMP

Application

- Feed water supply
- High pressure applicaiton in water treatment plants
- Clear water supply & distribution

Specifications	50Hz
Flow	upto 810 m ³ /hr
Head	upto 1110 m
Outlet Size	upto 300 mm
Power	upto 1300 kW
Speed	960/1450/2900 RPM
Max. Working Pressure	upto 30 bar
Liquid Temperature	upto 90°C
Flange Standard	DIN / ANSI
Material of Construction (MOC)	Cast Iron & Bronze
Optional	Stainless Steel, Duplex, Super Duplex & Alloy steels



* Contact manufacturer for 60Hz requirement

VERTICAL SUMP PUMPS

Application

- Sludge handling application
- Spin bath & Effluent transfer applications
- Various application in water and waste water treatment plant
- Utility services
- Dewatering

Specifications	50Hz	60Hz
Flow	upto 1500 m ³ /hr	upto 6604 GPM
Head	upto 110 m	upto 360 Feet
Outlet Size	upto 250 mm	upto 10" inch
Power	upto 200 kW	upto 268 hp
Speed	720/970/1450/2900 RPM	900/1200/1750 RPM
Max. Solid Size	upto 60 mm	upto 2¼" inch
Max. Working Pressure	upto 16 bar	upto 16 bar
Liquid Temperature	upto 100°C	upto 212°F
Flange Standard	DIN / ANSI	DIN / ANSI
Material of Construction (MOC)	Cast Iron, Stainless Steel & Alloy Steels	Cast Iron, Stainless Steel & Alloy Steels
Optional	Duplex & Super Duplex	Duplex & Super Duplex



ECP SERIES

END SUCTION PROCESS PUMP

Application

- Rejection water handling in treatment plant
- Sludge transfer
- Municipal sewage handling with suspended solids



Specifications	50Hz	60Hz
Flow	upto 2500 m ³ /hr	upto 15850 GPM
Head	upto 100 m	upto 311 Feet
Outlet Size	upto 350 mm	upto 14" inch
Power	upto 315 kW	upto 420 hp
Speed	720/970/1450 RPM	900/1200/1800 RPM
Max. Solid Size	upto 95 mm	upto 3¾" inch
Max. Working Pressure	upto 16 bar	upto 16 bar
Liquid Temperature	upto 90°C	upto 356°F
Flange Standard	ANSI	ANSI
Material of Construction (MOC)	Cast Steel & Stainless Steel	Cast Steel & Stainless Steel
Optional	Duplex, Super Duplex & Alloy steels	Duplex, Super Duplex & Alloy steels

ECC SERIES

ANSI B 73.1 - END SUCTION CHEMICAL PUMP

Application

- Brackish and raw water pumping
- Backwash and rejection water supply
- Chlorination and injection



Specifications	50Hz	60Hz
Flow	upto 720 m ³ /hr	upto 4400 GPM
Head	upto 110 m	upto 649 Feet
Outlet Size	upto 200 mm	upto 8" inch
Power	upto 150 kW	upto 200 hp
Speed	970/1450/2900 RPM	900/1200/1800/3600 RPM
Max. Solid Size	upto 52 mm	upto 2" inch
Max. Working Pressure	upto 16 bar	upto 16 bar
Liquid Temperature	upto 260°C	upto 500°F
Flange Standard	ANSI	ANSI
Material of Construction (MOC)	Stainless Steel & Alloy steels	Stainless Steel & Alloy steels
Optional	Duplex & Super Duplex	Duplex & Super Duplex

DRV SERIES

DEWATERING PUMP

Application

- Drainage & Dewatering



Specifications	50Hz
Flow	upto 150 m ³ /h
Head	upto 42 m
Outlet Size	upto 100 mm
Power	upto 10 kW
Speed	2850 RPM
Max. Solid Size	upto 10 mm
Liquid Temperature	upto 40°C
Maximum immersion depth	upto 20 m
Material of Construction (MOC)	Aluminium and Hi-Chrome

* Contact manufacturer for 60Hz requirement

WASTE WATER & DRAINAGE SOLUTIONS

GA / GB SERIES

Application

- Domestic & Municipal Sewage handling
- Industrial sewage & Effluent handling
- Waste Water transfer containing impurities



Specifications	50Hz	60Hz
Flow	upto 216 m ³ /h	upto 1080 GPM
Head	upto 65 m	upto 150 Feet
Outlet Size	upto 100 mm	upto 4" inch
Power	upto 50 kW	upto 50 hp
Speed	1450/2900 RPM	1750 / 3500 RPM
Max. Solid Size	upto 90 mm	upto 3½" inch
Liquid Temperature	upto 40°C	upto 104°F
Maximum immersion depth	upto 20 m	upto 65 Feet
Material of Construction (MOC)	CI with 0.3% Cu, Ni and Mo	CI with 0.3% Cu, Ni and Mo

MC SERIES

Application

- Domestic & Municipal Sewage handling
- Industrial sewage & Effluent handling
- Waste Water transfer containing impurities
- Sludge transfer



Specifications	50Hz	60Hz
Flow	upto 504 m ³ /h	upto 1850 GPM
Head	upto 65 m	upto 140 Feet
Outlet Size	upto 150 mm	upto 6" inch
Power	upto 34 kW	upto 53 hp
Speed	1450/2900 RPM	1160 / 1750 RPM
Max. Solid Size	upto 100 mm	upto 4" inch
Liquid Temperature	upto 40°C	upto 104°F
Maximum immersion depth	upto 20 m	upto 65 Feet
Material of Construction (MOC)	CI with 0.3% Cu, Ni and Mo	CI with 0.3% Cu, Ni and Mo

KC SERIES

Application

- Domestic & Municipal Sewage handling
- Industrial sewage & Effluent handling
- Waste Water transfer containing impurities
- Sludge transfer



Specifications	50Hz	60Hz
Flow	upto 2520 m ³ /h	upto 9400 GPM
Head	upto 66 m	upto 300 Feet
Outlet Size	upto 400 mm	upto 12" inch
Power	upto 185 kW	upto 250 hp
Speed	720/960/1450 RPM	900 / 1160 / 1750 RPM
Max. Solid Size	165 mm	upto 6" inch
Liquid Temperature	upto 40°C	upto 104°F
Maximum immersion depth	upto 20 m	upto 65 Feet
Material of Construction (MOC)	CI with 0.3% Cu, Ni and Mo	CI with 0.3% Cu, Ni and Mo

MA SERIES

Application

- Domestic & Municipal Sewage handling
- Industrial sewage & Effluent handling
- Waste Water transfer containing impurities



Specifications	50Hz
Flow	upto 36 m ³ /h
Head	upto 25 m
Outlet Size	upto 50 mm
Power	upto 2.6 kW
Speed	2900 RPM
Max. Solid Size	upto 40 mm
Liquid Temperature	upto 40°C
Maximum immersion depth	upto 20 m
Material of Construction (MOC)	CI with 0.3% Cu, Ni and Mo

* Contact manufacturer for 60Hz requirement

GT SERIES

Application

- Cutting and grinding operation in STP/ETP plant
- Food industry
- Hotel & Commercial building
- Hospitals

Specifications	50Hz	60Hz
Flow	upto 30 m ³ /h	upto 120 GPM
Head	upto 60 m	upto 70 Feet
Outlet Size	upto 50 mm	1½" inch
Power	upto 9.5 kW	upto 8 hp
Speed	2900 RPM	3500 RPM
Max. Solid Size	upto 7 mm	upto ¼" inch
Liquid Temperature	upto 40°C	upto 104°F
Maximum immersion depth	upto 20 m	upto 65 Feet
Material of Construction (MOC)	CI with 0.3% Cu, Ni and Mo	CI with 0.3% Cu, Ni and Mo



AG SERIES

AGITATORS

Application

- Agitation in waste water treatment plant
- Wells and rain water collection basins

Specifications	50Hz
Flow	upto 1558 m ³ /h
Head	upto 22 m
Power	upto 22 kW
Speed	1450/2900 RPM
Liquid Temperature	upto 40°C
Maximum immersion depth	upto 20 m
Material of Construction (MOC)	Motor - CI with 0.3% Cu, Ni and Mo, Blades - Stainless steel



* Contact manufacturer for 60Hz requirement

MD & TP SERIES

MIXER & PROPELLER

Application

- Used for effective mixing, avoiding deposits to generate flow in ETP / STP plants
- Used to mix the food waste in hotels & Commercial buildings



Specifications	50Hz
Flow	upto 6702 m ³ /h
Axial force	152 - 3725 N
Power	upto 18.5 kW
Speed	200/250//960/1450 RPM
Liquid Temperature	upto 40°C
Maximum immersion depth	upto 20 m
Material of Construction (MOC)	Motor - CI with 0.3% Cu, Ni and Mo, Blades - Stainless steel

* Contact manufacturer for 60Hz requirement

AR SERIES

AERATOR

Application

- Aeration in ETP and STP plant

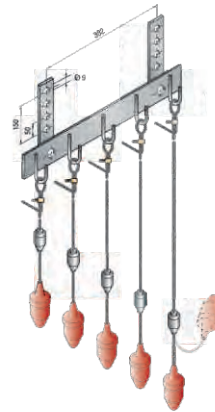


Specifications	50Hz
Maximum Air Intake	upto 125 m ³ /h
Oxygen Transfer	upto 1 - 9 kg O ₂ /hr
Speed	1450 / 2900 RPM
Power	upto 14 kW
Maximum Liquid Temperature	upto 40°C
Maximum immersion depth	upto 20 m
Material of Construction (MOC)	Cast Iron & Mild steel

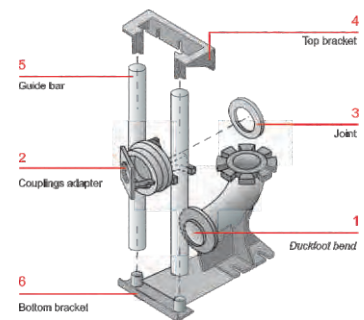
* Contact manufacturer for 60Hz requirement

ACCESSORIES

Specifications	Ranges	GB
Auto Coupling Range	50 - 400 mm	50 - 100 mm
Adaptor Size	80, 100 & 150 mm	80 & 100 mm
Lifting Chain Range	Upto 12 m	
Outer elbow size	50, 65 & 100 mm	50, 65 & 100 mm
Base stand range	65 - 250 mm	65 & 100 mm
Base stand with suction elbow for vertical dry installation range	80 - 450 mm	NA
Float switch range	0.5 - 20 m	



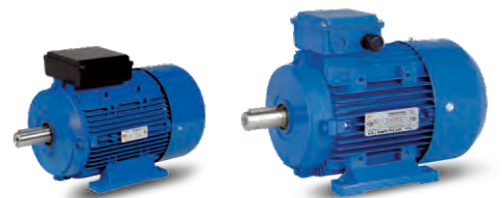
Specifications	MC	KC
Auto Coupling Range	80, 100 & 150 mm	150 - 400 mm
Adaptor Size	80, 100 & 150 mm	150 mm
Lifting Chain Range	Upto 12 m	
Outer elbow size	100 mm	NA
Base stand range	80, 100 & 150 mm	150, 200 & 250 mm
Base stand with suction elbow for vertical dry installation range	80, 100 & 150 mm	150, 200, 250, 300 & 450 mm
Float switch range	0.5 - 20 m	



ENERGY EFFICIENT MOTORS

Application

- To be coupled with pumps for various application



Specifications	50Hz	60Hz
Power Range (in KW)	0.37 to 2.2, Single Phase	0.5HP to 3HP, Single Phase
Power Range (Standard)	0.37 to 315 kW, Three Phase	0.5HP to 422HP, Three Phase
Power Range (IE2)	0.75 to 315 kW, Three Phase	1HP to 422HP, Three Phase
Power Range (IE3)	0.75 to 315 kW, Three Phase	1HP to 422HP, Three Phase
Rated Voltage	380/400/415V, Three Phase	230V / 380V /460V, Three Phase (Triple Voltage design upto 30HP)
	220/230V, Single Phase	220/230V, Single Phase
Pole	2/4/6 Pole	2/4/6 Pole
Frame Size	upto 355	upto 355
Class of Insulation	Class - F	Class - F
Degree of Protection	IP 55	IP 55
Mounting Type	Foot / Flange / Foot cum flange / Face Mounted motors (B3, B5, B35, B14)	Foot / Flange / Foot cum flange / Face Mounted motors (B3, B5, B35, B14)



* HT and flame proof motors on request

CONTROLLERS & CONDITION MONITORING SYSTEMS

Product Range - 0.37 kW - 315 kW

- VFD Controllers with single & Multi pump options
- Soft starter
- Auto transformer starter
- Pressure boosting pump controller
- Fire pump controller
- Sewage pump controller
- Customized controller
- Wireless condition monitoring system



VALVE RANGES

WAFER TYPE BUTTERFLY VALVE

Product Range	
Size Range	1 1/2" to 24"
Pressure Rating	PN10 / PN16
Type of Valve	Centric Disc Butterfly valve with Rubber Lined Body
Body Type	Single Piece, Short wafer or wafer lugged Extended Neck Body available
Seal Type	Integrally Bonded & Replaceable (EPDM, Nitrile)
Operation	Hand Lever, Gear Operation (Pneumatic & Electrical - Optional)

Standards	
Valve Design Standard	BS EN 593 / API 609 / IS 13095
Valve face to face	ISO 5752
Top flange drilling	ISO 5211
Valve inspection and testing	API 598 / IS 13095
Flange standard	ANSI 125 / ANSI 150 / BS 10 TAB D & E / IS 6392 NP 1.0 & 1.6 DIN 2501 – PN10 & PN16



DOUBLE FLANGED DOUBLE ECCENTRIC BUTTERFLY VALE

Product Range	
Size	DN200 to DN1600
Pressure Rating	PN10 / PN16
Seal Type	Nitrile / EPDM / Neoprene / Silicon / Viton
Temp. Range	20° To + 180°C
Operation	Hand lever , Pneumatic and Electrical Operated (Optional)

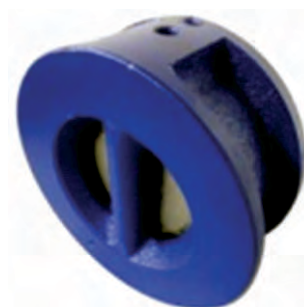


Standards	
Valve Design Standard	EN 593/IS 13095/EN 1074 -1 & 2
Valve Face to Face	EN 558-1/AWWA C504
Flange Drilling	EN 1092 -2/ IS 1538/AWWA C207
Testing Standard	EN 12266-1

DUAL PLATE CHECK VALVE

Product Range	
Size	Dn50 – DN600
Type	Dual Disc Fully Rubber lined / Unlined Body
Rating	ANSI - 150#, 300#, 600#

Standards	
Valve Design Standard	API 594
Valve face to face	API 594
Flange Standard	ASME B 16.5, ASME B16.47 (Series A)
Testing Standard	API 598



OTHER PRODUCT RANGES

PIPES



	uPVC plumbing pipes	cPVC plumbing pipes	SWR Pipes	Pressure Pipes
Pipe sizes in mm	25 - 125	15 - 100	75A/B - 160A/B	20 - 400

	HDPE Pipes	Column Pipes	Well casing Pipes
Pipe sizes in mm	20 - 110	25 - 150	40 - 300

CABLES



Available sizes in Sq.mm	1.5, 2.5, 4, 6, 10, 16, 25, 35, 50, 70, 95, 120, 150 (3 core and 4 core) - 1100V
Available sizes in AWG	14, 12, 10, 8, 6, 4, 2, 1.1/0.2/0.3/0.4/0& 255MCM (3 core and 4 core) - 600V
Armoured available sizes in Sq.mm	1.5, 2.5, 4, 6, 10, 16, 25, 35 (3 core and 4 core) - 1100V

HOUSING WIRES



Available sizes in Sq.mm	0.5, 0.75, 1, 1.5, 2.5, 4, 6, 10, 16
--------------------------	--------------------------------------

AGRICULTURE & RESIDENTIAL PRODUCTS

Product Range		
	Surface pumps	Bore hole pumps
Power	0.37 - 30 kW	0.37 - 300 kW
Head	upto 141 m	upto 850 m
Flow	upto 210 m ³ /h	upto 810 m ³ /h

Product Range		
	Surface pumps	Bore hole pumps
Power	upto 50 HP	upto 400 HP
Head	upto 265 ft	upto 3366 ft
Flow	upto 790 gpm	upto 3698 gpm



NOTES

A series of horizontal dotted lines for writing notes, starting from the 'NOTES' header and extending down the page.

C.R.I. PUMPS (PVT) LIMITED

(International Division)

7/46-1, Keeranatham Road, Saravanampatty, Coimbatore - 641 035. **India.**

Phone : +91-422-7117310, 7117312. Fax : +91-422-7117300, e-mail : cri@crifluidsystems.com website : www.crifluidsystems.com

BOMBAS C.R.I. ESPAÑA, S.L.

Poligono Industriail El.Bony Calle 31, No. 137, 46470
Catarroja (Valencia) **Spain.**

Tel : +34-96 1842 974, Fax : +34-96 1842 977

e-mail : admin-es@crifluidsystems.com website : www.crifluidsystems.com

BOMBAS C.R.I. ESPAÑA S.L. UNIPERSONAL

Via del Progresso 9/13

20090 Pieve Emanuele (MI), Italy.

e-mail : admin-it@crifluidsystems.com website : www.crifluidsystems.com

C.R.I. BOMBAS HIDRÁULICAS LTDA

Av. Rodrigo Fernando Grillo, 457, Jd. Manacas,
CEP - 14.801-534, Araraquara - SP, **Brasil.**

Fone : +55-16-3331 1099, Fax : +55-16-3331 5344

e-mail : cri@cribombas.com.br website : www.crifluidsystems.com

Filial : Jabotão dos Guararapes-PE, Brasil.

Fone : (81) 3093-9620, Fax : (81) 3093-9600.

C.R.I. PUMPS S.A. (PTY) LIMITED

P.O. Box 6292, Halfway House, Midrand - 1685,
Johannesburg, **South Africa.**

Tel : +27-11-8058631 / 32, Fax : +27-11-8058630

e-mail : cri-za@crifluidsystems.com website : www.crifluidsystems.com

C.R.I. POMPA SANAYİ VE TİCARET LİMİTED ŞİRKETİ

10032 Sk. No:12 A.O.S.B. 35620 Çiğli-İzmir-Türkiye.

Tel : +90-232-328-328 22 99, Fax : +90-232-328 23 33

e-mail : cri@cripompa.com website : www.crifluidsystems.com

PT. CRI FLUID SYSTEMS

Kawasan Industri dan Pergudangan Marunda Center

Blok B No: 23 Jalan Marunda Makmur, Segaramakmur, Tarumajaya,

Kab. Bekasi, Jawa Barat 17211, **Indonesia**, Ph : 021-8899 7558

Email : sales.id@crifluidsystems.com Website : www.crifluidsystems.com

C.R.I. FLUID SYSTEMS USA LLC

4655 Wright Road, Ste. 140, Stafford, TX 77477, USA.

Tel : 832-430-4660 Email : sales.us@crifluidsystems.com

Website : www.crifluidsystems.com

C.R.I. FLUID SYSTEMS MEXICO S. DE R.L. DE C.V

Ciudad de Mexico, Email : sales.mx@crifluidsystems.com, Website : www.crigroups.us

C.R.I. PUMPS (FZC)

P.O. Box 7988, A4-12 SAIF-Zone, **Sharjah**, U.A.E.

Tel : +971-6-5573041 (3 Lines), Fax : +971-6-5573042

e-mail : cri-uae@crifluidsystems.com website : www.crifluidsystems.com

C.R.I. FLUID SYSTEMS INC.,

Polyland Industrial Subdivision, Warehouse #3, Block 4,

Kendex St., Bo. Iba, Meycauayan, Bulacan. **Philippines.** Zip-3017.

Phone : +63 44 762 8887 / +63 44 802 6199, Fax : +63 44 762 8883.

e-mail : sales.ph@crigroups.com

Website : www.crifluidsystems.com

C.R.I. FLUID SYSTEMS (BD) LTD.,

Holding No. 217, Madrasa Road, Jadurchar, Hemayetpur,

Savar, Dhaka-1340, **Bangladesh**

Website : www.crifluidsystems.com

C.R.I. PUMPS (Shanghai) Co., Ltd.

Room 510, No 1855 Qixin Road,

Minhang District, **Shanghai** - 201101. China.

Tel : +86-21-54405082, Fax : +86-21-54405083

e-mail : cri@bombascri.com.cn

website : www.crifluidsystems.com

SUZHOU C.R.I. PUMPS CO., LTD.

No.198, Shexi Road, Beishe Community, Lili Town,

Wujiang District, Suzhou City,

Jiangsu Province, China.

Tel: +86-512-63433668 | Fax : +86-512-634 33667,

e-mail : cri@crisuzhou.com.cn | website : www.crifluidsystems.com



<https://www.linkedin.com/company/cri-fluid-systems>



<https://www.facebook.com/crifluidsystemsglobal/?ti=as>



https://www.instagram.com/cri_fluidsystems/

